

Key Features

- LXR CCD optics
- Infrared LED array
- Fixed varifocal lens
- Compact All-Weather housing
- 90 infrared LED illuminators
- 850nm or 940nm options
- 100ft (30m) performance in total darkness
- LEXAN – 1/4" clear windows
- Adjustable output IR light
- Photocell-controlled
- Easy lens access
- Painted aluminum finish
- Plug and Play installation

Product Description

The new EX38 is a supercharged plug 'n play camera for CCTV performance in extreme light conditions, from bright Arctic sunlight to pitch black, zero-LUX moon-less night.

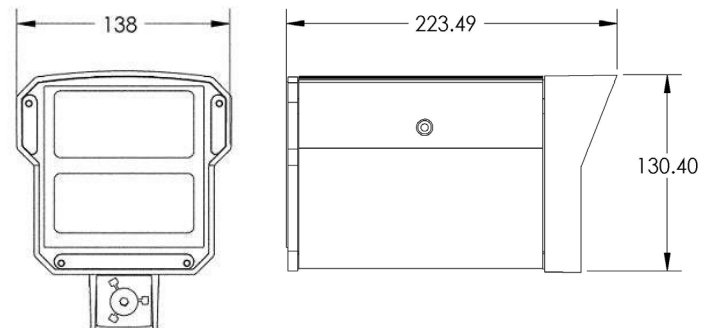
The EX38 is designed for professional security providers who require a full-feature camera with infrared, varifocal lens, great optics, all integrated into an all-environment housing that takes only a few minutes to install. Markets for this camera are already expanding where perimeter protection means day and night surveillance at a distance of 100 feet around a commercial building or home. Night-time performance by infrared illumination is automatically activated to provide high signal pictures in darkness beyond 100 feet.

Low voltage operation, low power consumption, LED illuminators, solid state CCD technology and controlled regulated voltage means the EX38 will operate efficiently for years without servicing or maintenance.

Applications

- Night-time surveillance where normal lighting is prohibited or undesirable
- Covert surveillance in a wide range of conditions
- High-end residential
- Perimeter security
- Military, industrial, commercial

Product Image

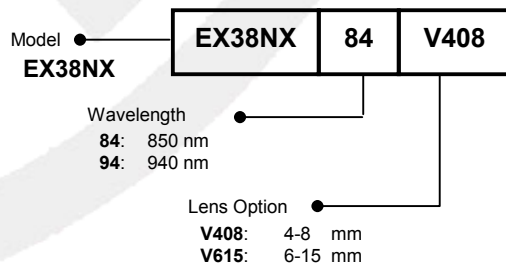


Certification / Compliance

CSA Type 4X	Outdoor Weather Rating
CSA C22.2 No 0-M1991	General Electrical Rqts, Part II
CSA C22.2 No 1-M94	Audio, Video, & Similar Equipment
CSA C22.2 No 94-M91	Special Purpose Enclosures
UL Std No 50	Enclosures for Electrical Equip
UL Std No 2044	Commercial CCTV Equipment

Specifications: Monochrome Camera

CCD	SX4 Night-Time Sensor
Image Sensor	1/3" LXR CCD
Resolution	420 TVL
Effective Pixels	EIA: 542 (H) x 492 (V) CCIR: 542 (H) x 582 (V)
Daytime Sensitivity	0.01 Lux @ F1.2
Night-time Sensitivity	0.0 Lux – works in total darkness
S/N Ratio	Greater than 48dB
Output Signal	1Vp-p, 75Ω
Gamma	0.45
Gain Control	AGC 30dB; SAGC 36dB
Electronic Iris	1/60 ~ 1/100,000 (NTSC) • 1/50 ~ 1/100,000 (PAL)
Voltage	12 VDC or 24 VAC
Power Draw	22 W (max)
Infrared Type	90 LEDs High-efficiency FHB-type
Wavelength	850nm or 940nm
Cabling	5ft (1.6m) video/power
Construction	Robust aluminium casting / extrusion gasketed / sealed to IP66 / NEMA4
Housing Color	Black
Window	Polycarbonate 1/4" on metal frame
Photocell	Auto on/off available
Weight	4.6 lbs (2.1kg)
Operational Range	-50°C to +50°C (-58°F to 122°F)
Overall Dimension	5.4" x 5.1" x 8.7" (138m x 130mm x 223mm)

Part Numbers *(Special Order Models available on request)*

Optional Accessories

- EXPS.008** Power Supply, 120VAC / 24 VAC, 1.0A
- PSU230/24** Power Supply, 240VAC / 24 VAC, 1.0A
- EXMB.051** Cable Managed Wall Bracket
- EXMB.015** Pole Mount Adapter

Dealer / Distributor



Corporate Headquarters
Extreme CCTV Inc
 TF: 1 888 409 2288
 T: +1 604 420 7711
 F: +1 604 420 3300
 E: Sales@ExtremeCCTV.com
 www.ExtremeCCTV.com



European Operation
Derwent Systems Ltd
 A Division of Extreme CCTV (UK) Ltd
 T: +44 (0) 1670 730 187
 F: +44 (0) 1670 730 188
 E: SalesUK@DerwentCCTV.com
 www.DerwentCCTV.com