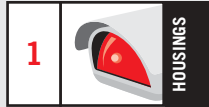


PATENTED



- Indoor/outdoor
- Entirely made of technopolymer (polycarbonate)
- Side opening, easy camera servicing
- Weatherproof standard IP66 (with cable glands)
- Good resistance to impacts
- Different mounting options: standard bracket or cable management bracket or P&T

Innovative and stylish housing, entirely built in technopolymer, designed to simplify installation and servicing, VERSO ensures total protection against all environmental conditions. Due to its side opening, the accessibility to the camera, lens and all its connections is made far easier.

Entirely manufactured from the newest, most resistant technopolymer, VERSO guarantees high impact resistance, weather protection to external agents and UV rays.

Its weatherproof features are ensured by EPDM-rubber gaskets and 2 PG9 + 1 PG11 cable glands with their specific gaskets.

VERSO offers the possibility of various mountings, wall mounting bracket, feed through bracket and Pan & Tilt head, including the ability to house most combinations of cameras and lenses.

A specific version with a very efficient cooling system

is available for installation with IP cameras and for high environmental temperature.

A wide range of accessories is available, including sunshield, heater kit, blower kit and camera power supply, heater fan-assistant and alarm tamper switch. These accessories are supplied as a simple plug-in kit for easy installation.

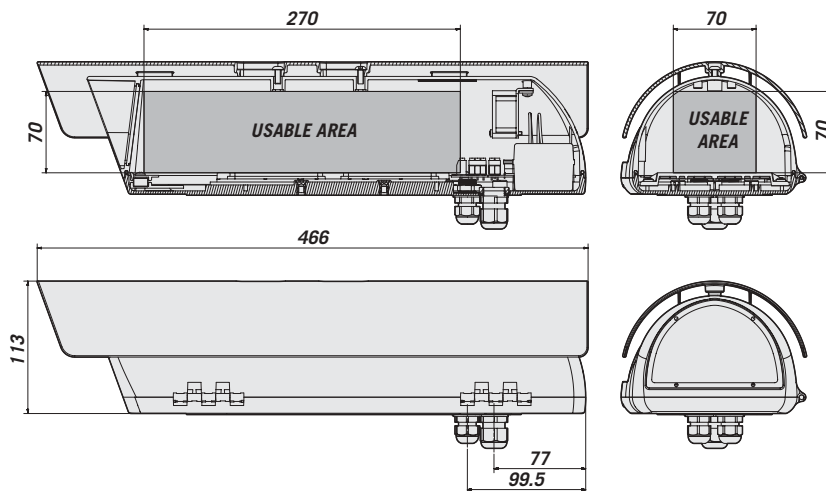


VERSO + WBJ



VERSO + WBOV

MODELS						
	Sunshield	Heater 115/230VAC	Heater 12VDC/24VAC	Heater fan-assisted 24VAC	12VDC blower with double air exchange filter	24VAC blower with double air exchange filter
HPV42D0A000						
HPV42K0A000	•					
HPV42K1A000	•	•				
HPV42K2A000	•		•			
HPV42K2A015	•			•		
HPV42K0A016	•					•
HPV42K2A016	•		•			•
HPV42K0A017	•				•	
HPV42K2A017	•		•		•	



The values are in millimeters.

TECHNICAL DATA

GENERAL

- Entirely made of technopolymer (polycarbonate)
- RAL9002 Colour
- Supplied with: instruction manual, accessories for camera/lens installation

MECHANICAL

- 3 removable cable glands: 2xPG9 and 1xPG11
- Internal usable dimensions (WxH): 70x70 mm (2.7x2.7 in)
- Usable Length with accessories: 270 mm (10.6 in)
- Polycarbonate window (WxH): 105x64 mm (4.1x2.5 in)

ELECTRICAL

Heater, Ton 15°C+/-3°C (59°F) Toff 22°C +/-3°C (71°F):

OHPVH2 IN 12VDC/24VAC, consumption 20W

OHPVH1 IN 115/230VAC, consumption 40W

Blower with thermostat and double air filter, Ton 35°C+/-3° (95°F) Toff 22°C +/-3°C (71°F):

HPV42K0A017 IN 12VDC, consumption 4 W (max)

HPV42K2A017 IN 12VDC, consumption 4 W (max) + heater 20W

HPV42K0A016 IN 24VAC, consumption 4 W (max)

HPV42K2A016 IN 24VAC, consumption 4 W (max) + heater 20W

Blower with thermostat and air filter, Ton 35°C+/-3° (95°F) Toff 22°C +/-3°C (71°F):

OHPVCF3 Blower kit IN 100-240VAC with thermostat and air-filter, complete with wide range power supply IN 100-240VAC, 43/67Hz - OUT 12VDC, consumption 4 W (max)

Camera power supply:

OHEPS19B Power supply wide range IN 100-240VAC, 50/60Hz - OUT 12VDC, 1A max

OHEPS20 Power supply IN 230VAC, 50Hz - OUT 24VAC, 400mA max

ACCESSORIES

OHPVS42 Sunshield

OHPVH1 Heater IN 115/230VAC

OHPVH2 Heater IN 12VDC/24VAC

OHEPS19B Power supply wide range IN 100-240VAC, 50/60Hz - OUT 12VDC, 1A max

OHEPS20 Power supply IN 230VAC, 50Hz - OUT 24VAC, 400mA max

OHPVCF3 Blower kit IN 100-240VAC, consumption 4 W (max)

OHPVTA1 Alarm tamper-switch on board and tamper-proof screws and key

- OHPVW1** Heater fan assistant, continuous duty, IN 12VDC
- OHPVW2** Heater fan assistant, continuous duty, IN 24VAC
- OHPVW3** Heater fan assistant, continuous duty, IN 230VAC, with wide range power supply IN 100-240VAC, 50/60Hz - OUT 12VDC, 1A

RELATED PRODUCTS

Brackets:

- WBJ** Wall mount with joint for VERSO with cable glands
- WFWC** Column mount with joint for VERSO with cable glands
- WCM3** Ceiling mount with joint for VERSO with cable glands
- WCM5** Ceiling mount with joint for VERSO with cable glands (J shape)
- WBOV** Wall feed-through bracket
- WBOV3** WBOV mount, counterplate and junction-box with cable management
- WCM4** Ceiling feed-through bracket (J shape)

P&T:

- PTH300 series** P&T, 50/60Hz for VERSO with cable glands
- PTH900 series** P&T, 50/60Hz for VERSO with cable glands

ENVIRONMENT

- Indoor-Outdoor
- Operating temperature:
VERSO with heater: -20°C up to + 50°C (-4°+122°F)
- Very good resistance to the following chemical agents:
basics, alcohols, gasses, hydrocarbons
- Good resistance: organic and inorganic acids, oils
- Low resistance: solvents

COMPLIANCE TO

- CE according to EN 61000-6-3, EN 60950, EN 50130-4
- IP66 (with cable glands)
- IP44 (016 and 017 models, max. inclination on the longitudinal axis +/- 45°)
- V1 fire-self extinguish according to UL94
- Impact resistance IK10 according to EN 50102 standard

SPARE PARTS LIST

- OHPV42CS04** Complete upper body
- OBKFIL** Replacement filters kit (for 016 and 017 models)



Unit Weight (kg / lb):
HPV42K1: 1,5 / 3,3

Package Weight (kg / lb):
HPV42K1: 1,75 / 3,85

Package Dimensions (cm / in):
HPV42K1: 16,5x15,5x49 / 6,5x6,1x19,3

Master Carton (units):
HPV42K1: 10