



# TC9200 Series Indoor Camera Mounts



- ▶ **Sturdy Construction**
- ▶ **Attractive Appearance**
- ▶ **Versatile Design**
- ▶ **Adjustable**
- ▶ **Wide Selection of Styles**
- ▶ **Lightweight**

The TC9200 Series Indoor Camera Mounts can be used with CCD cameras with fixed and varifocal lenses. These sturdy, attractive mounts have fully adjustable mount heads and standard 1/4-20 camera mounting bolts. Maximum load capability ranges from 2 kg (4.4 lb) to 10 kg (22 lb). These versatile models can be used as pedestal, wall, or ceiling mounts and are well suited for use with CCD cameras.

Featuring threaded extensions, this unit can be configured to three different lengths and is easily installed with the included mounting hardware. This unit can be used with many model CCD cameras.

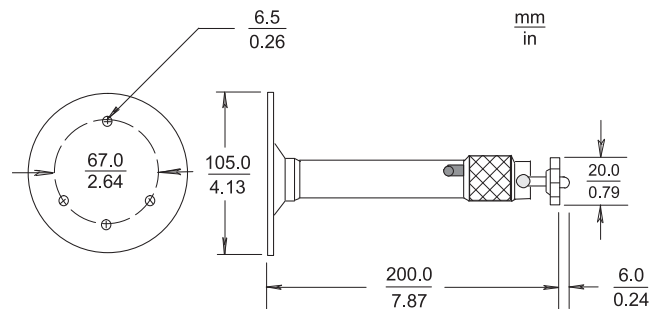
## Functions

Model TC9208 is an economical 200 mm (8 in) general purpose mount for loads of up to 4 kg (8.8 lb). It has an aluminum finish and an adjustable sleeve ball mounting clamp for camera position adjustments.

The TC9212 model is an extendible wall mount with a range of length from 244 mm to 414 mm (9.6 in to 16.3 in). It can accommodate loads of up to 10 kg (22 lb) in both the short and the fully extended configurations and features a quick release screw head for ease of camera positioning.

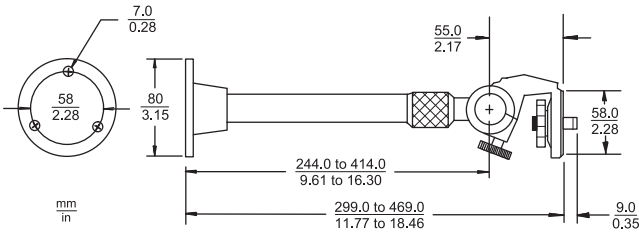
The TC9210U indoor mount is configured for mounting cameras in indoor applications. It accommodates loads of up to 4.5 kg (10 lb) and is constructed of aluminum and steel, providing extremely rigid camera mounting.

## Installation/Configuration Notes



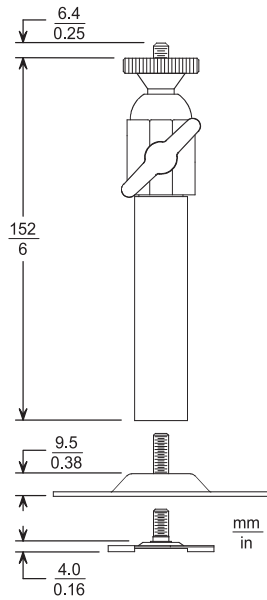
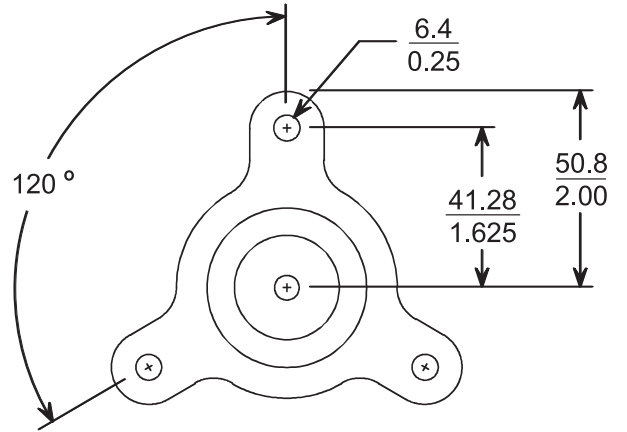
TC9208 Indoor Camera Mount

Maximum Load	4 kg (8.8 lb)
Mounting Head	Adjustable 360° pan, 90° tilt
Mounting Bolt	Standard 1/4-20
Finish	Aluminum
Weight	230 g (0.44 lb)



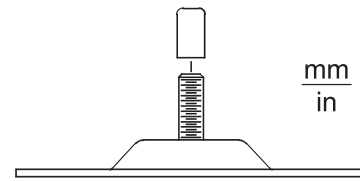
TC9212 Indoor Camera Mount

Maximum Load	10 kg (22 lb)
Mounting Head	Adjustable 360° pan, 90° tilt
Mounting Bolt	Standard 1/4-20
Finish	Aluminum and black
Weight	510 g (1.1 lb)

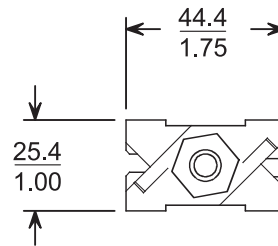


TC9210U Indoor Camera Mount

Maximum Load	4.5 kg (10 lb)
Mounting Head	Adjustable 360° pan, 180° tilt
Finish	Off-white semi-gloss acrylic
Weight:	
With Wall/Ceiling Flange	291 g (0.64 lb)
With T-Bar Clip	245 g (0.54 lb)



Wall/Ceiling Mount Flange, Included with TC9210U Solid Wall/Ceiling Mount



T-Bar Ceiling Clip

Included with TC9210U Solid Wall/Ceiling Mount.

**Ordering Information**

<b>TC9212 Indoor Camera Mount</b> extendible wall mount, for 9.6-inch to 16.3-inch, 10 kg (22 lb) max load, aluminium/black finish	<b>TC9212</b>
<b>TC9208 Indoor Camera Mount</b> general purpose mount, for 8-inch, 4 kg (8.8 lb) max load, aluminum finish	<b>TC9208</b>
<b>TC9210U Indoor Camera Mount</b> universal wall/ceiling grid, for 6-inch, 4.5 kg (10 lb) max load, off-white finish, incl. T-Bar ceiling clip and wall/ceiling mount flange	<b>TC9210U</b>
<b>TC9210US Indoor Camera Mount</b> universal wall/ceiling grid, for 6-inch, 4.5 kg (10 lb) max load, off-white finish, incl. T-Bar ceiling clip and wall/ceiling mount flange, silver	<b>TC9210US</b>

**Americas:**

Bosch Security Systems, Inc.  
130 Perinton Parkway  
Fairport, New York, 14450, USA  
Phone: +1 800 289 0096  
Fax: +1 585 223 9180  
security.sales@us.bosch.com  
www.boschsecurity.us

**Europe, Middle East, Africa:**

Bosch Security Systems B.V.  
P.O. Box 80002  
5600 JB Eindhoven, The Netherlands  
Phone: +31 40 2577 284  
Fax: +31 40 2577 330  
emea.securitysystems@bosch.com  
www.boschsecurity.com

**Asia-Pacific:**

Robert Bosch (SEA) Pte Ltd, Security Systems  
11 Bishan Street 21  
Singapore 573943  
Phone: +65 6258 5511  
Fax: +65 6571 2698  
apr.securitysystems@bosch.com  
www.boschsecurity.asia

**Represented by**