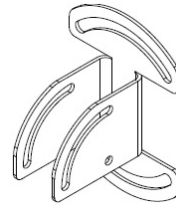


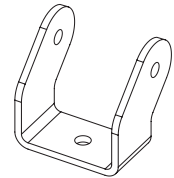
## AI CIRCULAR BRACKET

Supplied as standard with all Raytec adaptive illuminators. Provides a large degree of flexibility of mounting options. Can be attached directly to a wall, ceiling and any of the brackets listed in this document.

300 series is supplied with a larger version of this bracket.  
25 series is supplied with a U-Bracket.

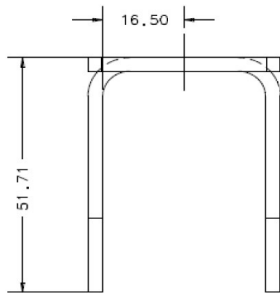


300 Series AI

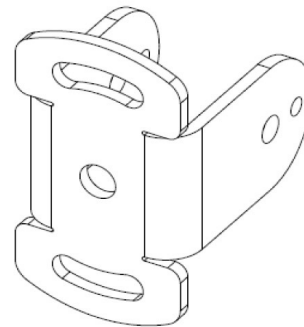


25 and Fusion Products

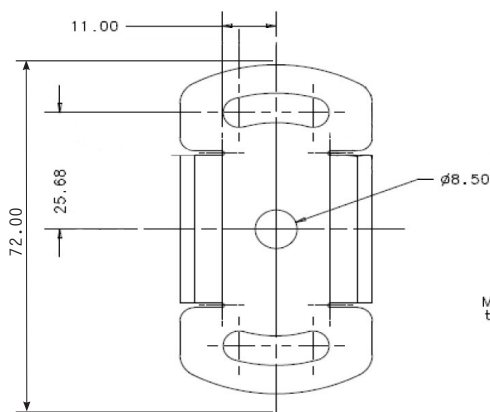
3.00mm Aluminium



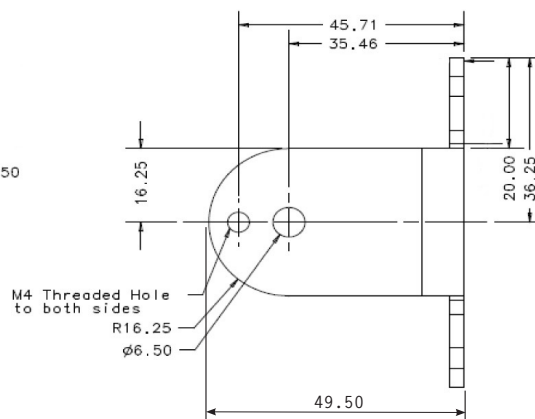
TOP



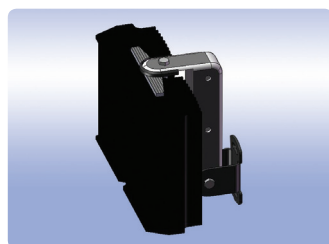
ISOMETRIC



FRONT



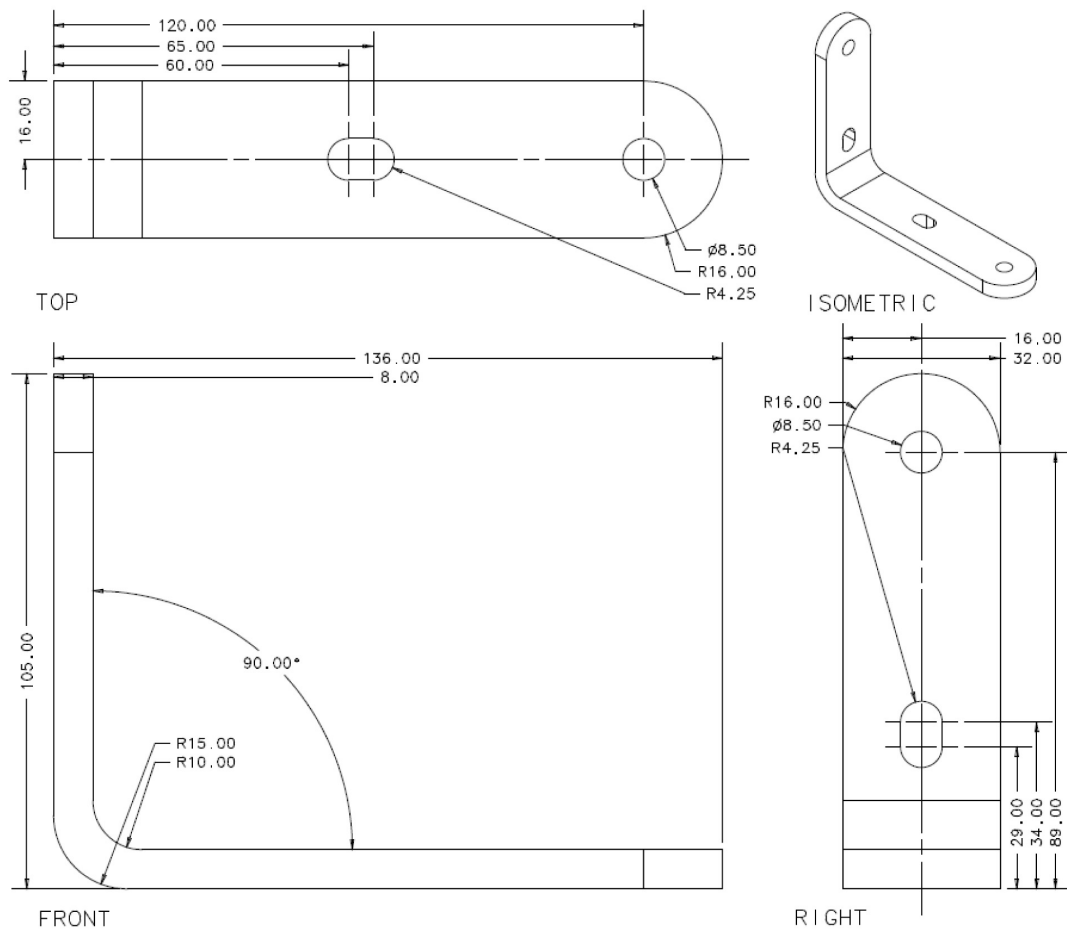
RIGHT



**Assembly Notes:** Access to the back of the bracket maybe limited, it is possible to remove U/AI Circular / Large AI Circular bracket from illuminator. Mount AI circular bracket to area of your choice - fix illuminator to its AI circular bracket as shown below. Set the vertical angle of illumination then tighten screws.

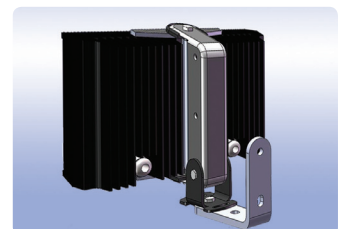
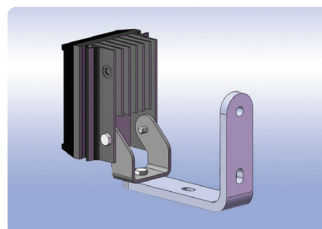
# WB1 WALL BRACKET

Designed to mount Raytec illuminators to walls or to Raytec PBC brackets (see page 3 and 4) to provide full pan/tilt adjustment when used with AI circular bracket.



8.00mm Aluminium

**Assembly Notes:** Mount WB1 to wall or Raytec PBC-1/ PBC-2. Mount illuminator to WB1 as shown below. Set the vertical/horizontal angle of illumination then tighten screws.

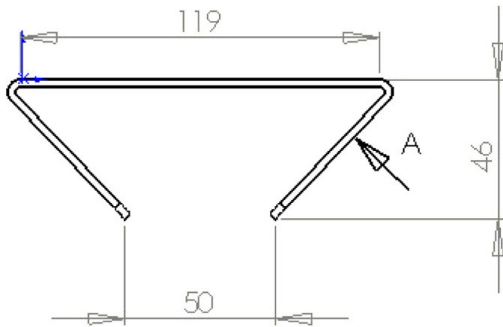


# PBC-1

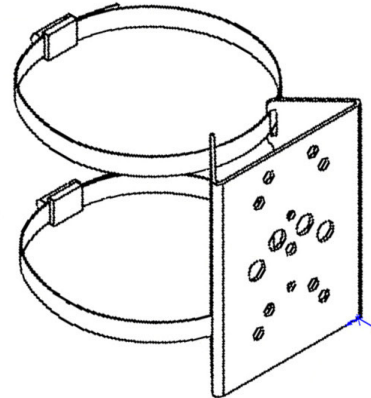
Designed to mount Raytec illuminators to circular poles / columns.

To fit poles approx minimum 50mm up to 170mm (other diameters available on request).

Provides flat mounting platform for 1x RAYMAX or RAYLUX illuminator and Voyager Range. (PSU mounted elsewhere)



Minimum Pole Size ~45mm Diameter

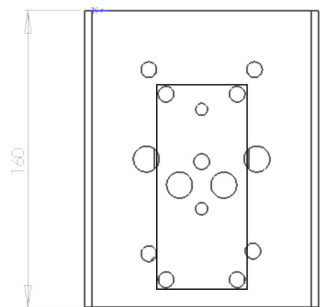
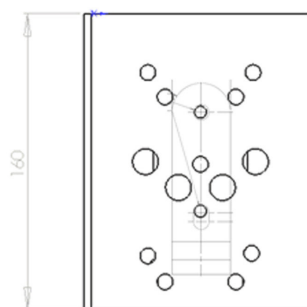
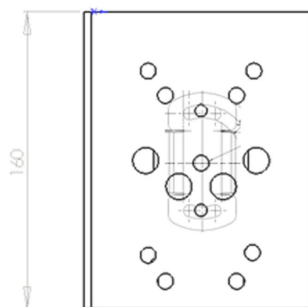
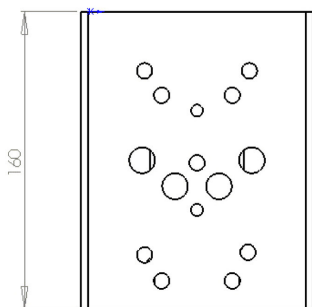


Large Circular Bracket

Small Circular Bracket

L-Bracket

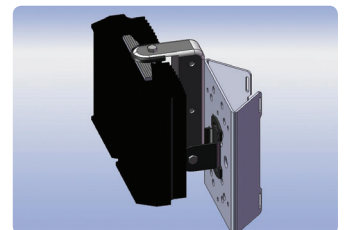
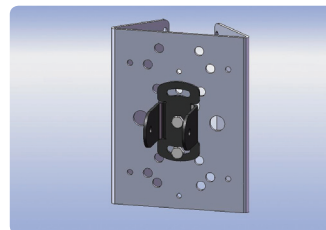
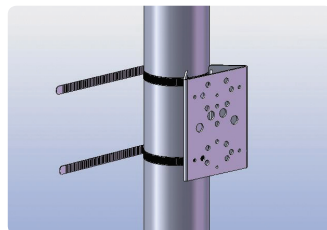
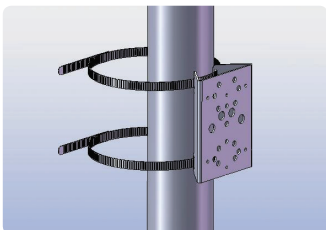
Voyager Bracket



Hole pattern to fit Raytec Products plus cable exits.

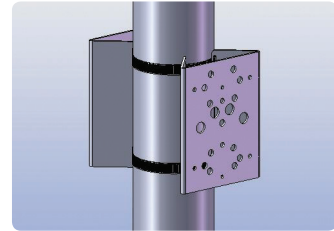
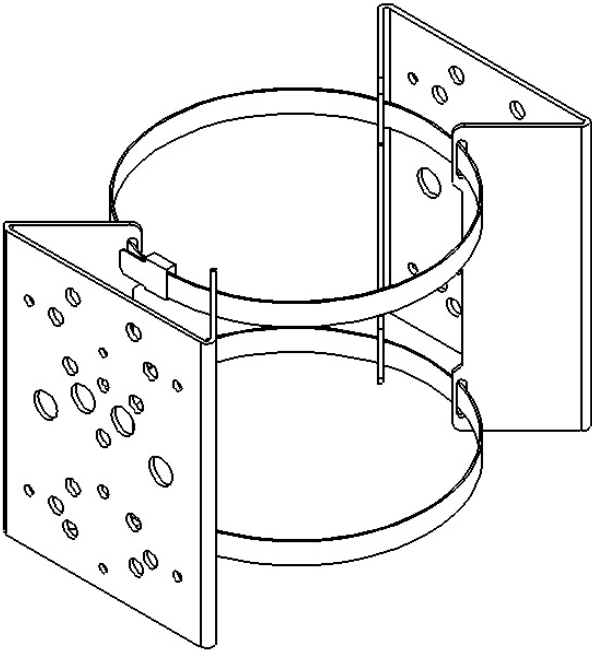
**Assembly Notes:** Mount PBC-1 to pole using mounting clips – position and tighten. Access to the back of the bracket maybe limited, it is possible to remove U/AI Circular / Large AI Circular bracket from illuminator, mount bracket to PBC-1 as shown below.

Fix illuminator to its bracket as shown below. Set the vertical angle of illumination then tighten screws. (please note full pan and tilt capability can be possible by mounting an illuminator to PBC-1 bracket using a WB1 bracket – see page 2)



## PBC-2

Pole Bracket Clamp for 2x RAYMAX or RAYLUX illuminators and Voyager range.

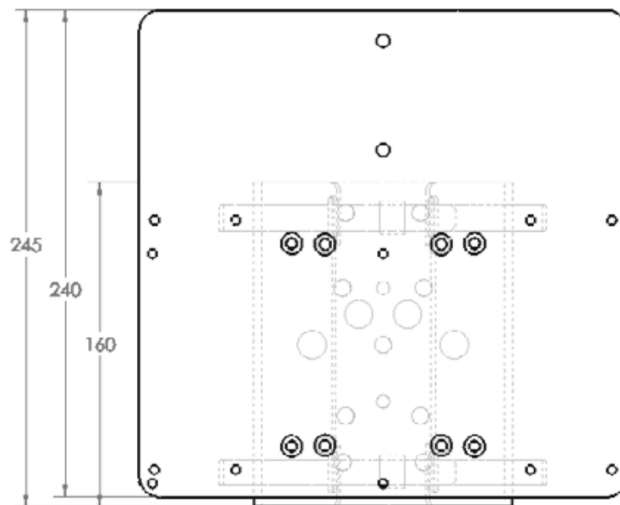


### Assembly Notes:

Mount PBC-2 to pole using mounting clips – position and tighten. Mount illuminators as per PBC-1. (see page 3)

## PBC-PSU-ADAP

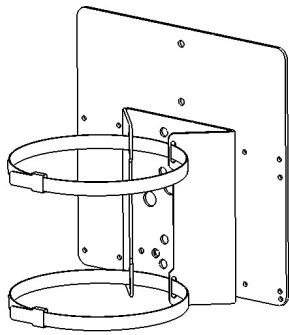
Adaptor plate to allow the additional mounting of PSU to pole. (see ordering table on page 5)



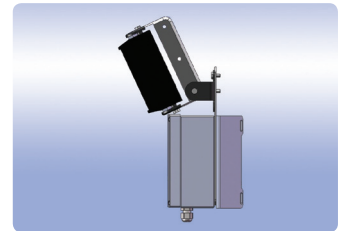
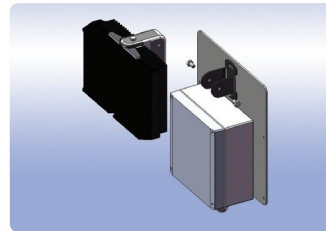
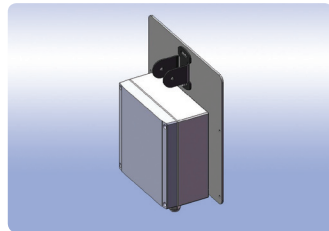
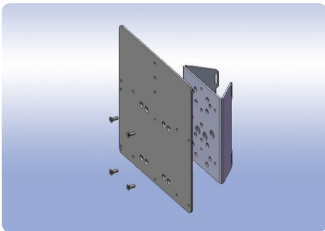
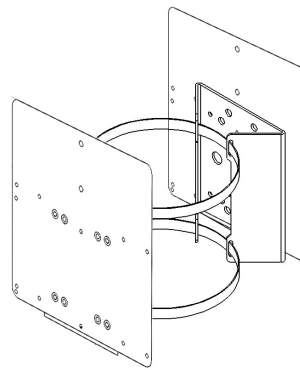
# PBC-PSU-ADAP (continued...)

Pole Mounting Product Combinations	Order List Guide
To Mount 1x illuminator (PSU mounted elsewhere)	1x PBC-1
To Mount 2x illuminators (PSU mounted elsewhere)	1x PBC-2
To Mount 1x illuminator + 1x PSU (to suit RM/RL25, 50, 100, 200)	1x PBC-1 and x1 Adaptor Plate
To Mount 2x illuminators + 2x PSUs (to suit RM/RL25, 50, 100, 200)	1x PBC-2 and x2 Adaptor Plates
To Mount 1x RM/RL 300 series illuminator + 1x PSU	1x PBC-2 and x1 Adaptor Plate

1x PBC-1 and x1 Adaptor Plate

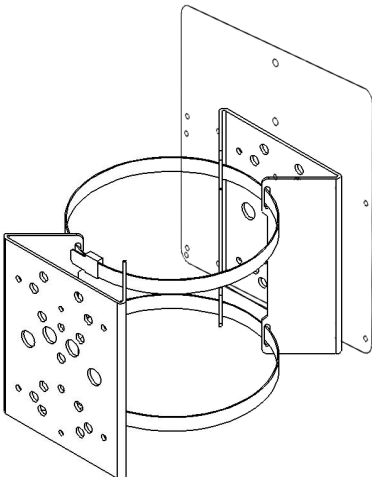


1x PBC-2 and x2 Adaptor Plates

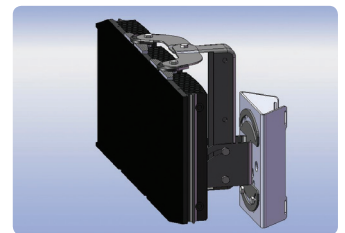


Mount additional plate(s) to pole bracket clamp(s)

1x PBC-2 and x1 Adaptor Plate



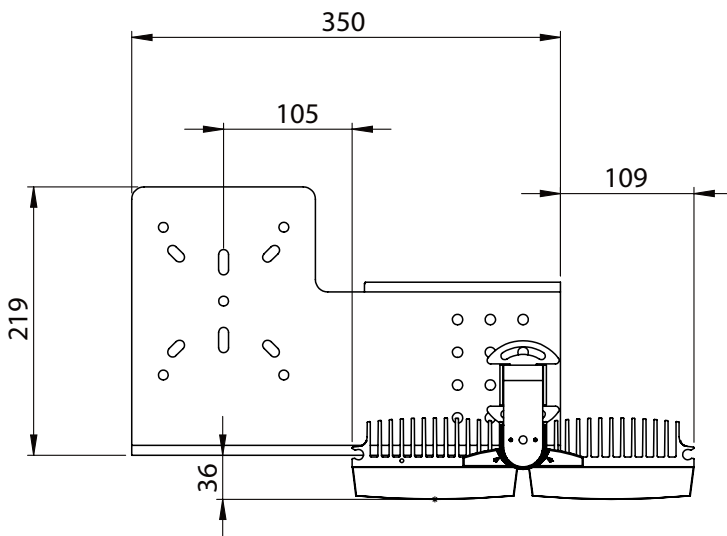
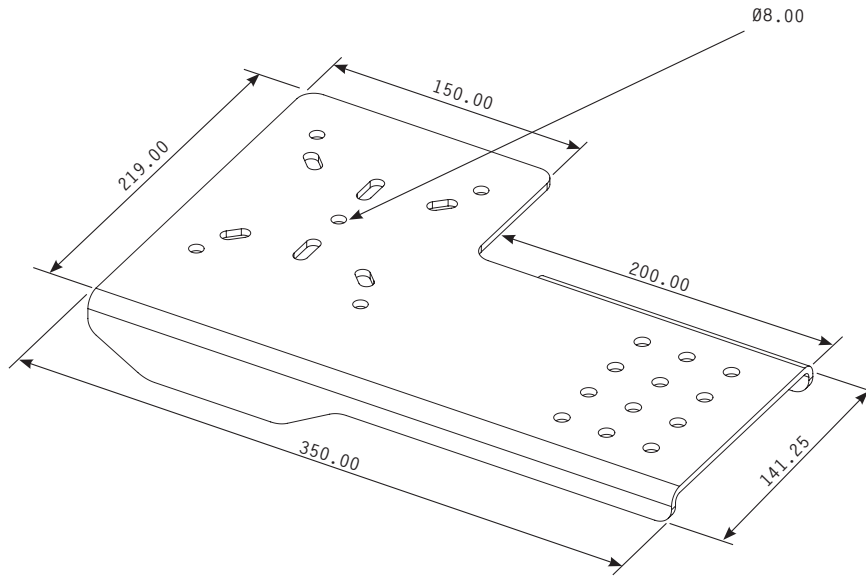
RM/RL 300 series illuminator attaches to PBC-1 pole bracket clamp and PSU attaches to adaptor plate.



# SB1 SINGLE PAN & TILT BRACKET ADAPTOR

Designed to mount any Raytec illuminator (normally 1 unit) to a Top Mount Pan/Tilt (PTZ) motor. The bracket should be fitted between camera housing and PTZ motor. Mounting holes provided to match with most industry standard PTZ units. Several mounting options provided to mount Raytec illuminator.

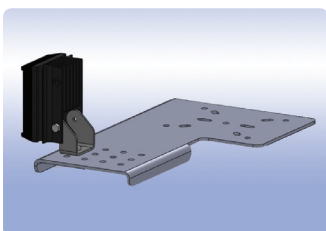
Other versions available for specific PTZ motors.



Please be aware of the maximum width available to mount camera to SB1.

Image shows an RM/RL 200 series illuminator mounted on the outer most fixing hole.

**Please note: It is not possible to mount an RM/RL 300 series illuminator on an SB1 bracket.**



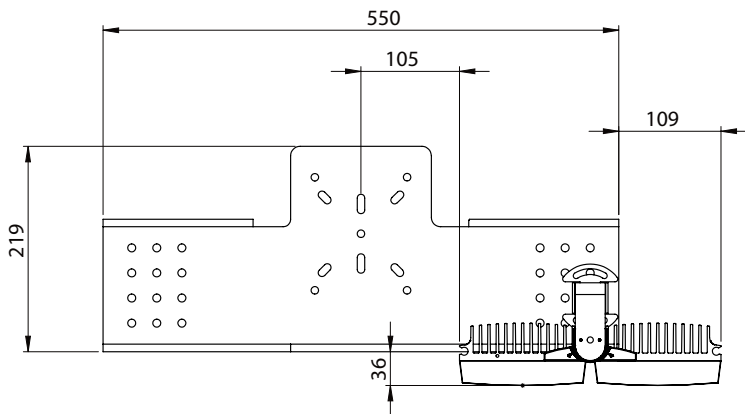
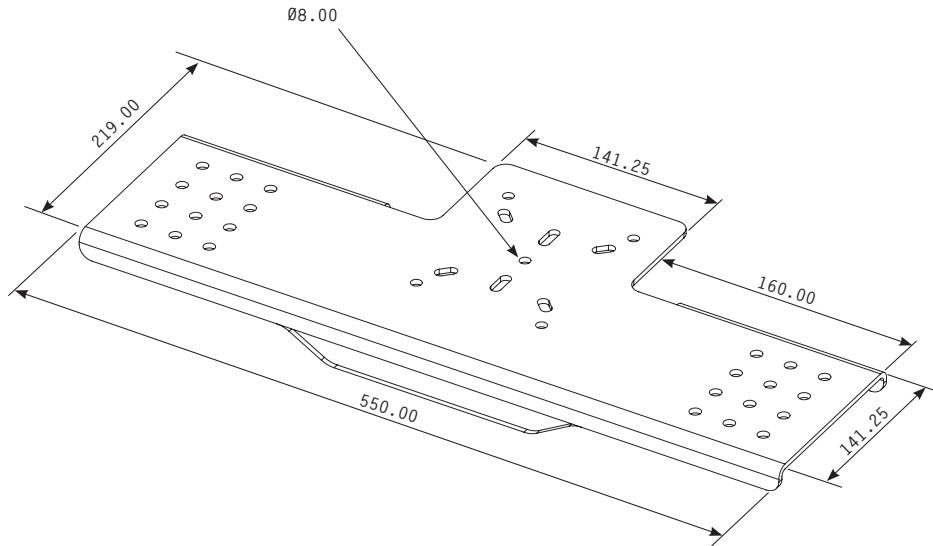
**Assembly Notes:** Mount SB1 to PTZ unit. Mount illuminator to SB1 as shown below – bracket can be mounted above or below SB1. Fix illuminator its bracket, as shown below. Set the vertical/horizontal angle of illumination then tighten screws.

# DB2 DOUBLE PAN & TILT BRACKET ADAPTOR

Designed to mount any Raytec illuminator (normally 2 units) to a Top Mount Pan/Tilt (PTZ) motor.

The bracket should be fitted between camera housing and PTZ motor. Mounting holes provided to match with most industry standard PTZ units. Several mounting options provided to mount Raytec illuminator.

Other versions available for specific PTZ motors.

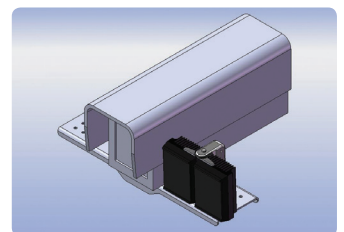
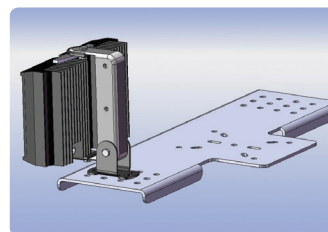
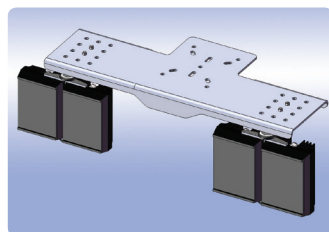
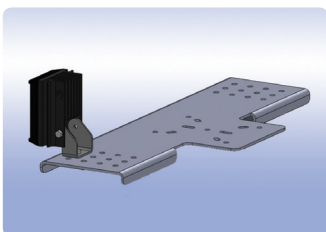


Please be aware of the maximum width available to mount camera to DB2.

Image shows an RM/RL 200 series illuminator mounted on the outer most fixing hole.

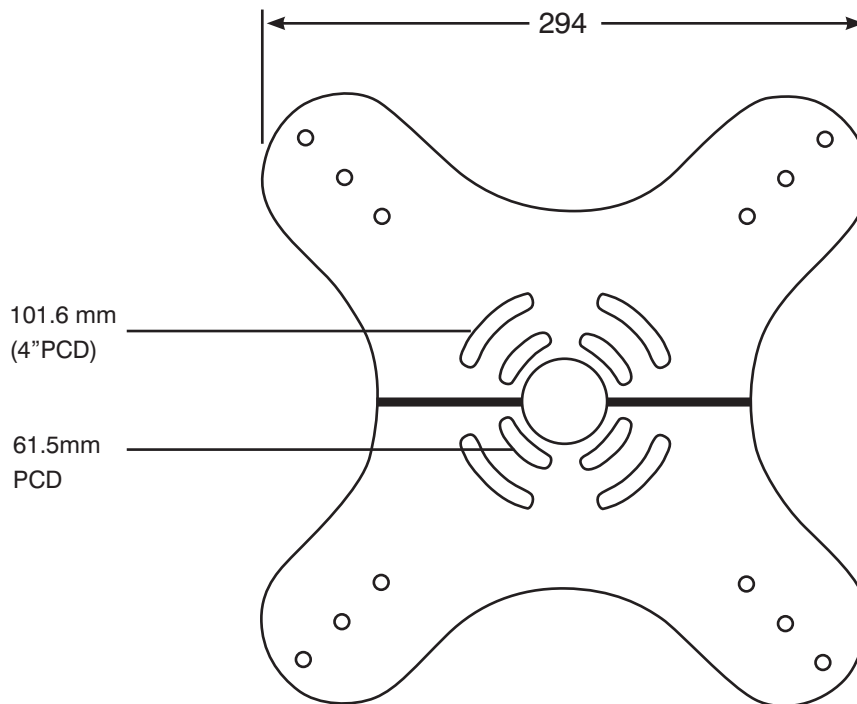
**Please note: It is not possible to mount an RM/RL 300 series illuminator on a DB2 bracket.**

**Assembly Notes:** Mount DB2 to PTZ unit. Mount illuminator to DB2 – bracket can be mounted above or below DB2. Fix illuminator to its bracket as shown below. Set the vertical/horizontal angle of illumination then tighten screws.



## PB-180/ PB-360

Designed to mount Raytec illuminators to poles / columns – for use mainly with dome cameras. Mounts to top of pole. Provided with 4" PCD (101.6mm) and 2" (61.5mm) PCD mounting options. PB-360 supplied with 4 mounting areas to mount up to 4 illuminators. PB-180 supplied with 2 mounting areas (plus spacer) to mount up to 2 illuminators.



PB-360 shown above - 4 mounting areas

**Assembly Notes:** Mount PB-180/360 to pole (mount spacer adjacent to PB-180 if required). Mount illuminator to PB-180/360 as shown below – bracket can be mounted above or below PB-180/360. Fix illuminator to its bracket as shown below. Set the vertical/horizontal angle of illumination then tighten screws.

