

Ethernet Lightning Arrest Box



Key Features

- 20 KA lightning surge protection
- Two passive 10/100/1000 Ethernet ports
- One ground position
- Flexibly designed for various Ethernet devices including PoE

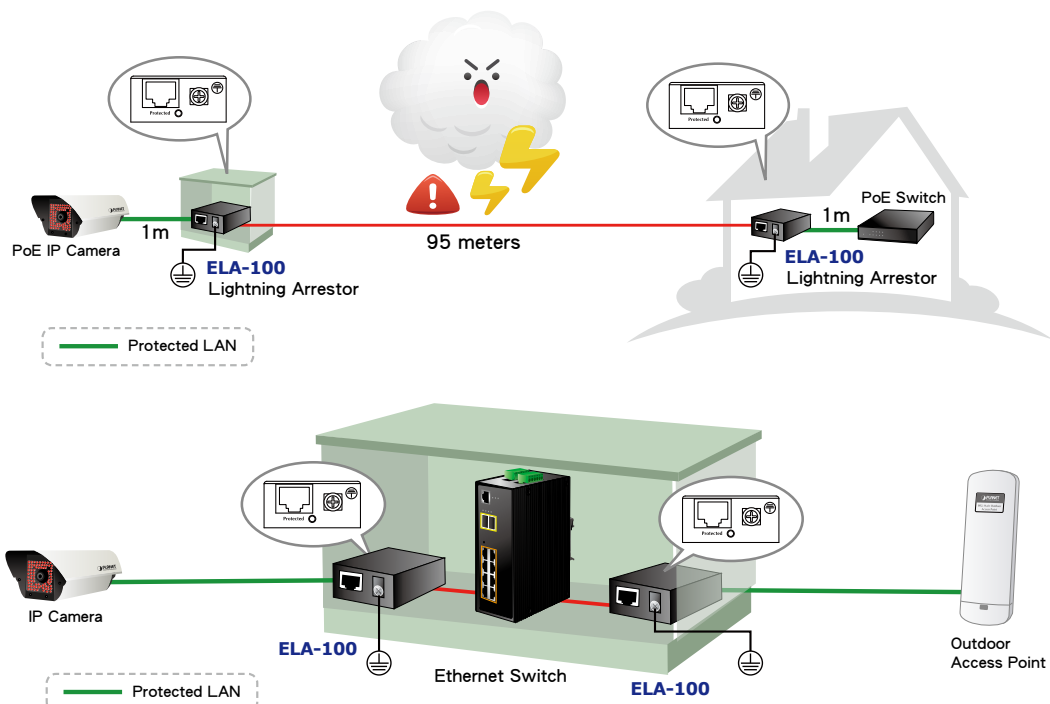
To prevent Ethernet devices from possible damage caused by surge voltages as a result of lightning strikes, PLANET has released a new Ethernet Lightning Arrest Box especially made in the current Ethernet environment.

The ELA-100 Ethernet Lightning Arrest Box provides two passive 10 / 100 / 1000Base-T interfaces for connection of two Ethernet devices and one ground position for earth. The ELA-100 Ethernet Lightning Arrest Box is the ideal solution to preventing damages to Ethernet devices from surge voltages caused by lightning strikes.

Applications

Outdoor Installation of Ethernet Lightning Arrest Box

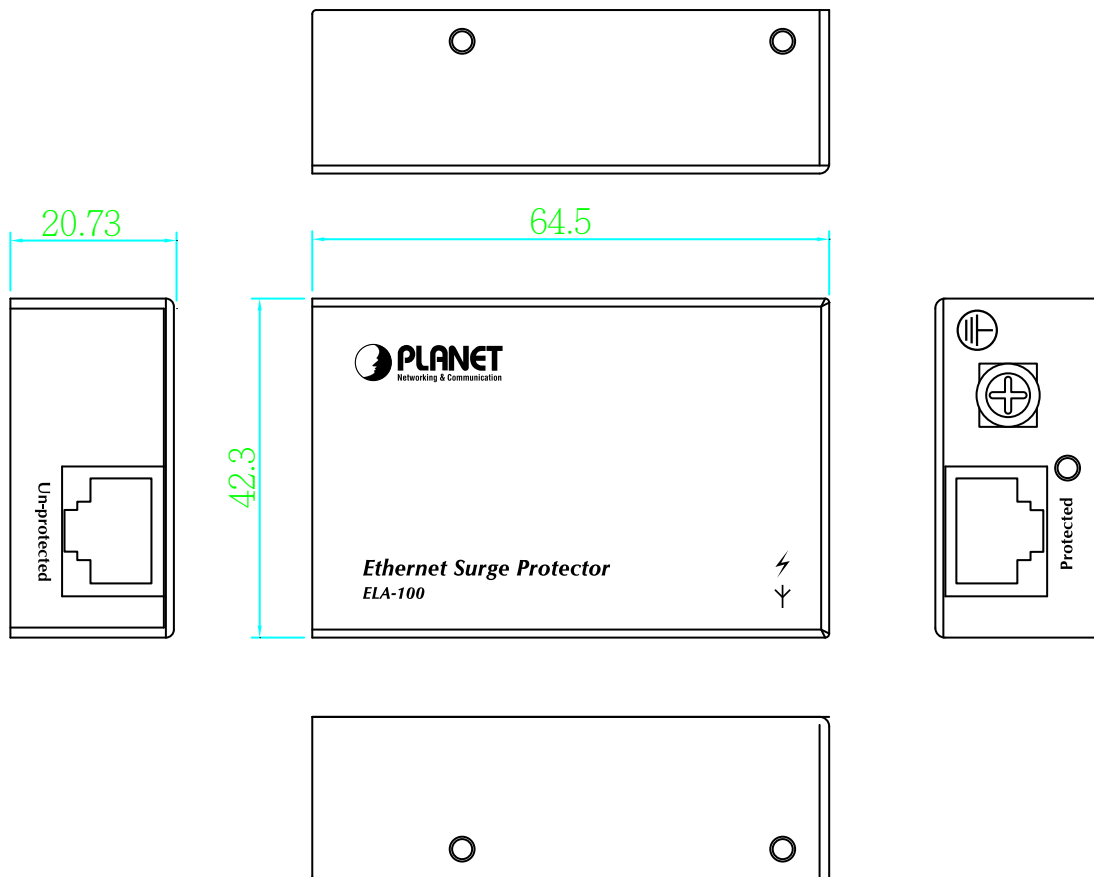
When installing the ELA-100 in an outdoor place with shelter, the Ethernet Lightning Arrest Box must be earthed or else the Ethernet Lightning Arrest Box may get electric shock and damage. Then connect two Ethernet devices to the two passive 10/100/1000Base-T ports (protected port and un-protected port) of Ethernet Lightning Arrest Box for lightning strike prevention.



Product Specifications

Model	ELA-100
Ethernet interface	2 passive 10/100/1000 Ethernet ports
Ground	1 ground position
DC spark-over voltage	230V, ±20%
Nominal impulse discharge current (wave 8/20µs)	20KA
Arc Voltage at 1A	~35V
Glow to arc transition current	~1A
Glow voltage	~200V
Dimensions (W x D xH)	65 x 42 x 20mm
Weight	80g
Operating environment	0~50 degrees C, 5%~90%RH
Storage environment	-20~70 degrees C, 5%~90%RH

Dimensions



Ordering Information

ELA-100	Ethernet Lightning Arrest Box
---------	-------------------------------

PLANET Technology Corporation

11F., No.96, Minquan Rd., Xindian Dist., New Taipei City
231, Taiwan (R.O.C.)
Tel: 886-2-2219-9518 Fax: 886-2-2219-9528
Email: sales@planet.com.tw www.planet.com.tw



PLANET reserves the right to change specifications without prior notice. All brand names and trademarks are property of their respective owners. Copyright © 2014 PLANET Technology Corp. All rights reserved.

C-ELA-100