

Bidirectional Cabinet Loudspeakers

www.boschsecurity.com



BOSCH

Invented for life



- ▶ Good speech intelligibility and background music reproduction
- ▶ Wedge shaped design
- ▶ Available in black or white
- ▶ MDF construction
- ▶ Complies with international installation and safety regulations

The LB1-BW12-x1 is a 12 W, cost-effective, bidirectional loudspeaker for indoor use. The baffle design creates a wide opening angle, making this loudspeaker very suitable for use in long corridors. Keyholes at the rear provide quick and easy wall mounting. The cabinet is available in black or white.

higher customer satisfaction, longer operating life, and much less chance of failure or performance deterioration.

Safety

acc. to EN 60065

Functions

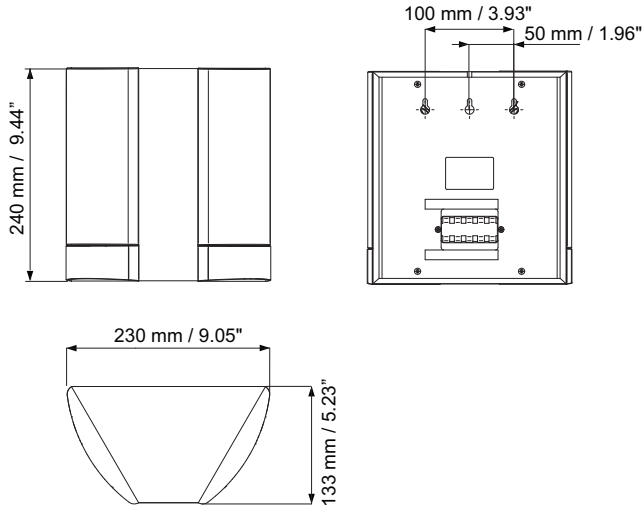
The robust, solid MDF (Medium Density Fiber board) enclosures are covered with a durable, easy-to-clean vinyl in a choice of white or black. The ABS fronts are covered with fine woven cloth in matching color. The cabinets have two dual cone loudspeaker drivers, mounted on an angled baffle, providing a wide opening angle. This model is intended for use in long corridors, such as in shopping arcades.

Installation/configuration notes

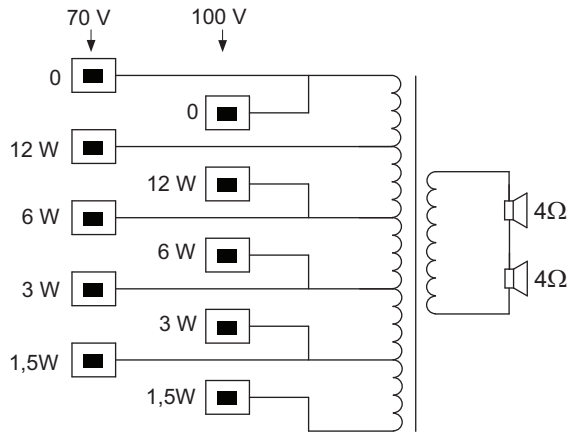
Three keyholes in the rear panel provide easy and quick wall mounting. A convenient, easy-to-use, double five-pole push-in terminal block is present on the rear panel for on-site wiring. This terminal block has provision for power tapping on the 70 V / 100 V, matching transformer in the cabinet. It allows selection of nominal full-power, half-power, quarter-power or eight-power radiation (in 3 dB steps).

Certifications and approvals

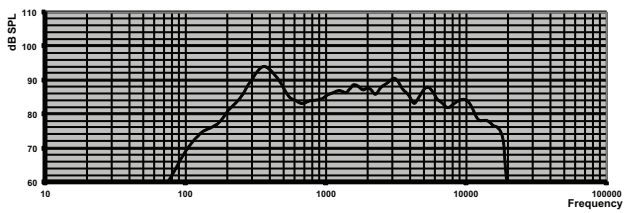
All Bosch loudspeakers are designed to withstand operating at their rated power for 100 hours in accordance with IEC 268-5 Power Handling Capacity (PHC) standards. Bosch has also developed the Simulated Acoustical Feedback Exposure (SAFE) test to demonstrate that they can withstand two times their rated power for short durations. This ensures extra reliability under extreme conditions, leading to



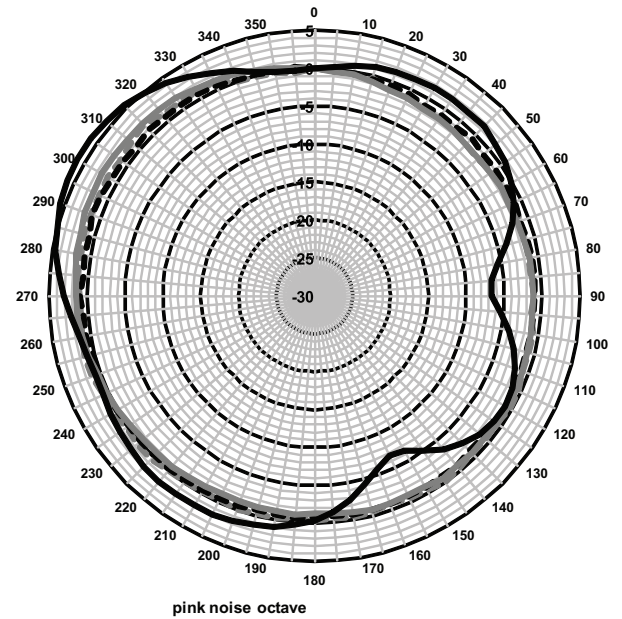
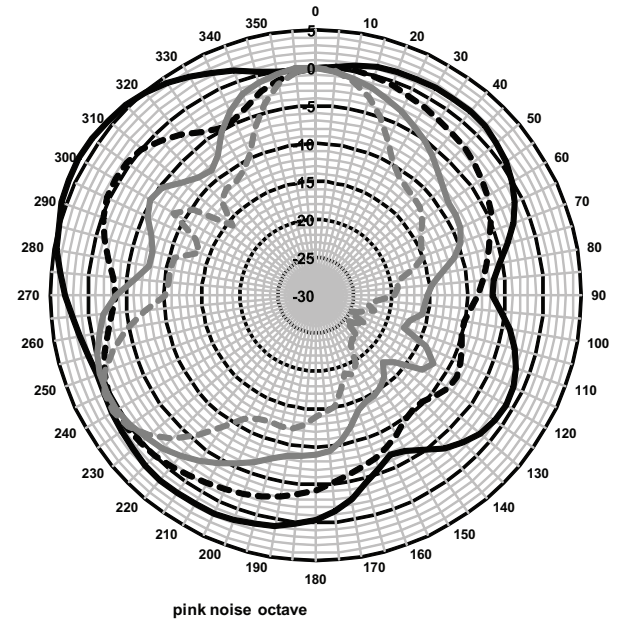
Dimensions



Circuit diagram



Frequency response



Polar diagrams (measured with pink noise)

Octave band sensitivity*

	Octave SPL 1W/1m	Total octave SPL 1W/1m	Total octave SPL Pmax/1m
125 Hz	74.4	-	-
250 Hz	89.4	-	-
500 Hz	89.9	-	-
1000 Hz	86.3	-	-
2000 Hz	88.1	-	-
4000 Hz	88.6	-	-
8000 Hz	85.2	-	-
A-weighted	-	84.8	94.6
Lin-weighted	-	86.1	96

Octave band opening angles

	Horizontal	Vertical	
125 Hz	360	-	
250 Hz	360	-	
500 Hz	360	-	
1000 Hz	360	-	
2000 Hz	253	-	
4000 Hz	71	-	
8000 Hz	41	-	

Acoustical performance specified per octave

* (all measurements are done with a pink noise signal; the values are in dB SPL)

Technical specifications

Electrical*

Maximum power	18 W
Rated power	12 / 6 / 3 / 1.5 W
Sound pressure level at 12 W / 1 W (1 kHz, 1 m)	97 / 86 dB (SPL)
Effective frequency range (-10 dB)	160 Hz to 17 kHz

Opening angle at 1 kHz / 4 kHz (-6 dB)	360° / 71°
Rated input voltage	70 V / 100 V
Rated impedance	417 / 833 ohm
Connector	2x 5-pole push-in terminal block

* Technical performance data acc. to IEC 60268-5

Mechanical

Dimensions (H x W x D)	240 x 238 x 133 mm (9.4 x 9.3 x 5.24 in)
Weight	1.97 kg (4.34 lb)
Color	Black (D1) or white (L1)
cabinet / cloth (D1)	Matches RAL 9004 / RAL 9004
cabinet / cloth (L1)	Matches RAL 9010 / RAL 7044

Environmental

Operating temperature	-25 °C to +55 °C (-13 °F to +131 °F)
Storage temperature	-40 °C to +70 °C (-40 °F to +158 °F)
Relative humidity	<95%

Ordering information

Bidirectional Cabinet Loudspeaker

Bidirectional cabinet loudspeaker 12 W, MDF enclosure with fine-woven cloth fronts, finished in black, with 3 keyholes for wall mounting.

Order number **LB1-BW12-D1**

Bidirectional Cabinet Loudspeaker

Bidirectional cabinet loudspeaker 12 W, MDF enclosure with fine-woven cloth fronts, finished in white, with 3 keyholes for wall mounting.

Order number **LB1-BW12-L1**

Represented by:

Americas:

Bosch Security Systems, Inc.
12000 Portland Avenue South
Burnsville MN 55337, USA
Phone: +1-800-392-3497
Fax: +1-800-955-6831
audiosupport@us.bosch.com
www.boschsecurity.com

Europe, Middle East, Africa:

Bosch Security Systems B.V.
P.O. Box 80002
5617 BA Eindhoven, The Netherlands
Phone: + 31 40 2577 284
Fax: +31 40 2577 330
emea.securitysystems@bosch.com
www.boschsecurity.com

Asia-Pacific:

Robert Bosch (SEA) Pte Ltd, Security Systems
11 Bishan Street 21
Singapore 573943
Phone: +65 6571 2808
Fax: +65 6571 2699
apr.securitysystems@bosch.com
www.boschsecurity.asia

China:

Bosch (Shanghai) Security Systems Ltd.
201 Building, No. 333 Fuquan Road
North IBP
Changning District, Shanghai
200335 China
Phone +86 21 22181111
Fax: +86 21 22182398
www.boschsecurity.com.cn

America Latina:

Robert Bosch Ltda Security Systems Division
Via Anhanguera, Km 98
CEP 13065-900
Campinas, Sao Paulo, Brazil
Phone: +55 19 2103 2860
Fax: +55 19 2103 2862
latam.boschsecurity@bosch.com
www.boschsecurity.com