

UHO Outdoor Camera Housings

www.boschsecurity.com



BOSCH
Invented for life



- ▶ Protects camera/lens combinations up to 262 mm (10.32 inch) in length
- ▶ Hinged side opening for easy installation and camera setup
- ▶ IP66, NEMA-4X rating
- ▶ Sunshield included
- ▶ Window defroster with self-cleaning glass

The UHO camera housings are smartly styled enclosures that enable you to use the DINION family of cameras in an outdoor environment or in areas where the cameras need to be protected.

Models are available for use with 24 VAC, 120 VAC, and 230 VAC power supplies. Depending on the version, they can be used with 12 VDC, 24 VAC, 120 VAC, and 230 VAC cameras.

Functions

Easy installation

The hinged, side-opening design allows easy installation of camera/lens combinations, and gives access to the controls even when the housing is mounted. Power and video cabling can be routed through feed-through fittings or external 4-pin power and BNC connectors at the rear of the housing. Feed-through entry holes are available in the base of some models for even better cable management. Mounting holes in the base can be used to install the housing on a wide range of pan/tilts, adjustable heads, and various camera mount brackets.

Temperature regulated

The aluminum-constructed housings have two heaters (one for window defrosting and one for the housing interior), and an optional blower. The interior heater maintains the internal temperature of the housing in

cold temperature conditions to extend the lower temperature limit to -40 °C (-40 °F). The permanently powered window defroster heater and the optional blower minimize fogging in high humidity locations. Sunshields are included on all models.

Secure

For increased security, the units come with tamper-resistant screws for the locking clasps to prevent unauthorized access.

Rugged

With a sleek design that meets IP66 and NEMA-4X standards, the housings are the ideal solution for protecting your video surveillance equipment from adverse elements.

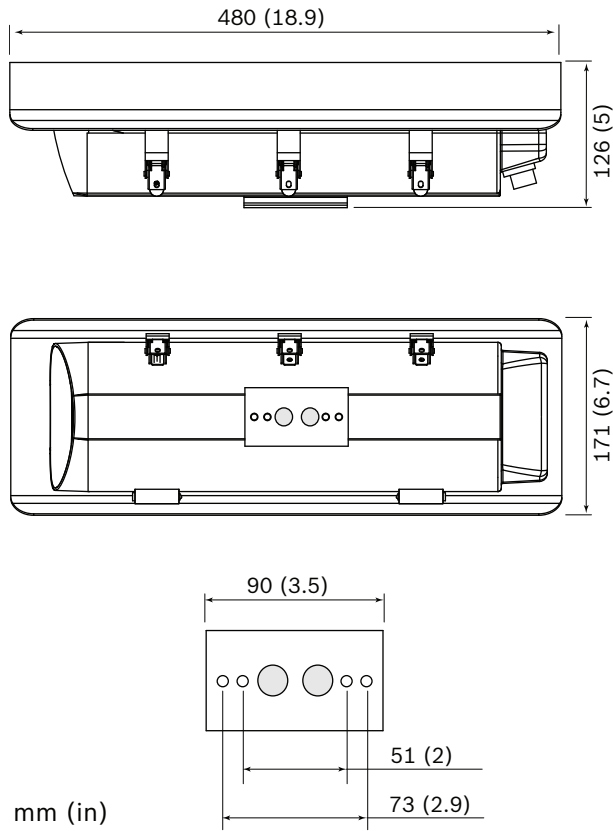
Certifications and approvals

Safety	acc. to EN 60065-1 (CE)
Immunity	acc. to EN 50130-4 (CE)
Emission	acc. to EN 55022 class B (CE) acc. to EN 61000-3-2 (CE); EN 61000-3-3 (CE) acc. to FCC CFR 47 Part 15, Class B

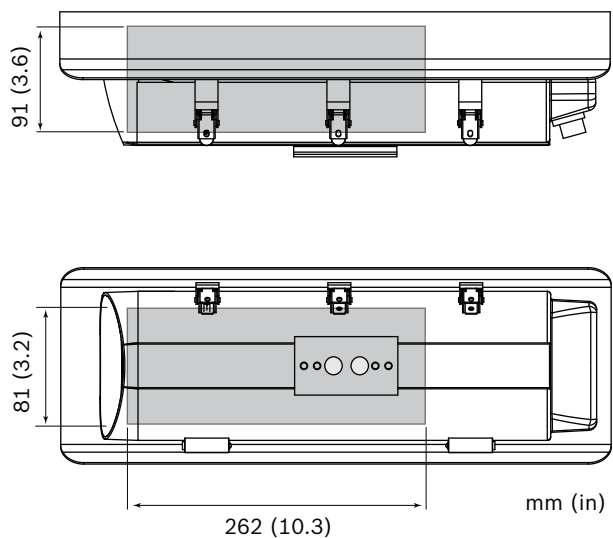
Region	Certification	
Europe	CE	UHO

Installation/configuration notes

Dimensions



Maximum size of camera and lens



Technical specifications

Mechanical

Dimensions (H x W x L)	126.5 x 171.3 x 480 mm (5 x 6.7 x 18.9 in.) including sunshield
Weight	3.1 kg (6.8 lb)
Weight (with blowers)	3.2 kg (7.1 lb)
Construction	Aluminum casing, silicone gaskets, all stainless steel hardware
Color	Gray
Window	3 mm (0.12 in) glass
Locking clasps	Tamper-resistant screws provided
Camera mounting	Removable camera/lens tray, mounted with two screws
Max. camera + lens size (H x W x L)	91 x 81 x 262 mm (3.6 x 3.2 x 10.3 in)
Mounting holes	2x pair of 1/4-20 tapped holes inner pair: 51 mm (2.0 in) center-to-center outer pair: 73 mm (2.9 in) center-to-center

Electrical

Housing Voltage supply	11 models: 24 VAC nominal 51 models: 230 VAC nominal 61 model: 120 VAC nominal
Housing power consumption	With blower: 45 W Without blower: 40 W
Maximum camera power consumption	10 W

Connectors (UHO-HGS and UHO-HBGS)

Rear fittings	1x cable diameter: 5.5 to 8 mm (0.14 to 0.32 in) 2x cable diameter: 5.8 to 10 mm (0.23 to 0.39 in)
Bottom feeds	2x cable diameter: 4.5 to 7.9 mm (0.18 to 0.31 in)

Connectors (UHI-HBPS and UHO-HPS)

Rear connectors	1x 4-pin (power) 1x BNC (video)
-----------------	------------------------------------

Environmental

Operating temperature - external	-40 °C to +50 °C (-40 °F to +122 °F)
Operating temperature - internal*	-20 °C to +55 °C (-4 °F to +131 °F)
Enclosure protection	IP66, NEMA-4X

* refer to camera specification to ensure compliance with internal temperature limits

Ordering information

UHO-HBGS-11 Outdoor Housing

Outdoor housing for (24 VAC / 12 VDC) camera.
24 VAC power supply; blower; feed-through cabling
Order number **UHO-HBGS-11**

UHO-HBGS-51 Outdoor Housing

Outdoor housing for (230 VAC / 12 VDC) camera.
230 VAC power supply; blower; feed-through cabling
Order number **UHO-HBGS-51**

UHO-HBGS-61 Outdoor Housing

Outdoor housing for (120 VAC / 12 VDC) camera.
120 VAC (60 Hz) power supply; blower; feed-through cabling
Order number **UHO-HBGS-61**

UHO-HBPS-11 Outdoor Housing

Outdoor housing for (24 VAC / 12 VDC) camera.
24 VAC power supply; blower; external BNC and power connectors
Order number **UHO-HBPS-11**

UHO-HBPS-51 Outdoor Housing

Outdoor housing for (230 VAC / 12 VDC) camera.
230 VAC power supply; blower; external BNC and power connectors
Order number **UHO-HBPS-51**

UHO-HGS-11 Outdoor Housing

Outdoor housing for (24 VAC / 12 VDC) camera.
24 VAC power supply; feed-through cabling
Order number **UHO-HGS-11**

UHO-HGS-51 Outdoor Housing

Outdoor housing for (230 VAC / 12 VDC) camera.
230 VAC power supply; feed-through cabling
Order number **UHO-HGS-51**

UHO-HPS-51 Outdoor Housing

Outdoor housing for (230 VAC / 12 VDC) camera.
230 VAC power supply; external BNC and power connectors
Order number **UHO-HPS-51**

Accessories

HAC-TAMP01 Tamper Switch

Tamper switch kit for HSG and UHI/UHO series enclosures
Order number **HAC-TAMP01**

LTC 9215/00 Mount

Wall mount for LTC/HSG 948x, HSG9583 and UHI/UHO housings
Order number **LTC9215/00**

LTC 9215/00S Mount

Short wall mount for LTC/HSG 948x, HSG9583 and UHI/UHO housings
Order number **LTC9215/00S**

LTC 9219/01 J-Mount

Feed-through J- mount for LTC/HSG 948x, HSG9583 and UHI/UHO housings
Order number **LTC9219/01**

Represented by:

Americas:

Bosch Security Systems, Inc.
130 Perinton Parkway
Fairport, New York, 14450, USA
Phone: +1 800 289 0096
Fax: +1 585 223 9180
security.sales@us.bosch.com
www.boschsecurity.us

Europe, Middle East, Africa:

Bosch Security Systems B.V.
P.O. Box 80002
5617 BA Eindhoven, The Netherlands
Phone: + 31 40 2577 284
Fax: +31 40 2577 330
emea.securitysystems@bosch.com
www.boschsecurity.com

Asia-Pacific:

Robert Bosch (SEA) Pte Ltd, Security
Systems
11 Bishan Street 21
Singapore 573943
Phone: +65 6571 2808
Fax: +65 6571 2699
apr.securitysystems@bosch.com
www.boschsecurity.asia

China:

Bosch (Shanghai) Security Systems Ltd.
201 Building, No. 333 Fuquan Road
North IBP
Changning District, Shanghai
200335 China
Phone +86 21 22181111
Fax: +86 21 22182398
www.boschsecurity.com.cn

America Latina:

Robert Bosch Ltda Security Systems Division
Via Anhanguera, Km 98
CEP 13065-900
Campinas, Sao Paulo, Brazil
Phone: +55 19 2103 2860
Fax: +55 19 2103 2862
latam.boschsecurity@bosch.com
www.boschsecurity.com