

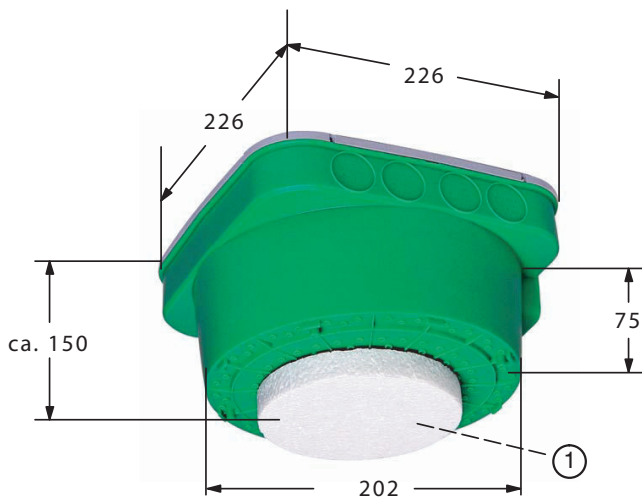


# FAA-500-CB Built-in Housing for Concrete Ceilings



FAA-500-CB Built-in Housings are used to install 500 and 520 Series Fire Detectors in concrete ceilings. These make it possible to position cable ducts with ease and precision.

## System Overview



Pos.	Description
1	Front part

## Ordering Information

### FAA-500-CB Built-in Housing for Concrete Ceilings

FAA-500-CB

for installing 500 and 520 Series Fire Detectors in concrete ceilings. In addition, you need to order a FAA-500-BB Ceiling Mount Back Box, which contains the base and the detector.

**Americas:**

Bosch Security Systems, Inc.  
130 Perinton Parkway  
Fairport, New York, 14450, USA  
Phone: +1 800 289 0096  
Fax: +1 585 223 9180  
security.sales@us.bosch.com  
www.boschsecurity.us

**Europe, Middle East, Africa:**

Bosch Security Systems B.V.  
P.O. Box 80002  
5600 JB Eindhoven, The Netherlands  
Phone: + 31 40 2577 284  
Fax: +31 40 2577 330  
emea.securitysystems@bosch.com  
www.boschsecurity.com

**Asia-Pacific:**

Robert Bosch (SEA) Pte Ltd, Security Systems  
11 Bishan Street 21  
Singapore 573943  
Phone: +65 6258 5511  
Fax: +65 6571 2698  
apr.securitysystems@bosch.com  
www.boschsecurity.asia

**Represented by**