



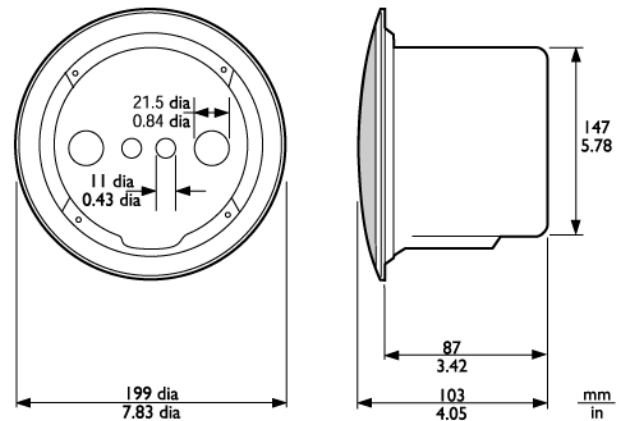
LBC 3080/01 Fire Dome



During a fire, the ceiling cavity can allow fire or smoke to spread throughout a building. To inhibit fire entering the cavity via the ceiling loudspeaker, it can be fitted with an LBC 3080/01 steel fire dome. This is mounted on the loudspeaker assembly using four self-tapping screws supplied with the fire dome. The fire-dome has knock-out holes for two grommets (supplied) and two cable glands (PG 13).

This fire dome can be used optionally with the ceilingspeakers: LBC 3087/41, LBC 3090/01, LBC 3090/31 and LHM 0606/10

Technical Specifications



Dimensions (dia. x depth)	147 x 87 mm (5.8 x 3.4 in)
Certified B15	Acc. To DIN 4102
Color	White (RAL 9010)
Weight	360 g (0.8 lb)

Ordering Information

Model Description
LBC 3080/01 Fire Dome