



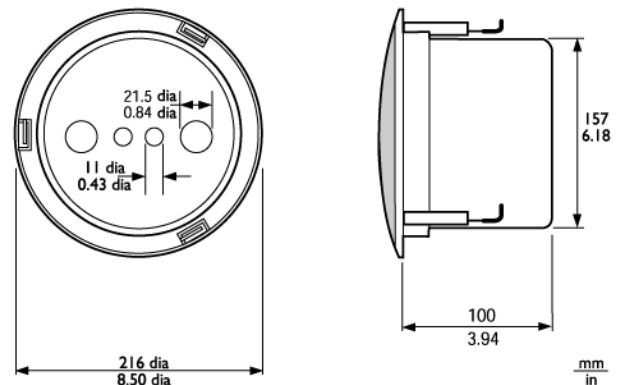
# LBC 3081/02 Fire Dome



Product photo includes LBC 3086/41

During a fire, the ceiling cavity in which loudspeakers are installed can allow flames to spread throughout a building. To prevent fire entering the cavity via the loudspeaker, the ceiling loudspeaker can be fitted with a steel fire dome (LBC 3081/02). This optional fire dome is mounted into the loudspeaker mounting ring (prior to the loudspeaker being inserted). For extra convenience, a safety cord from the fire dome allows the installer to temporarily hang the loudspeaker unit during installation. This cord also provides reassurance after installation. The fire-dome has knock-out holes for two grommets (supplied) and two cable glands (PG 13). This Fire Dome Assembly is only available with LBC 3086/41 Ceiling Loudspeaker.

## Technical Specifications



*LBC3086/41 + LBC 3081/02 fire dome assembly dimensions*

Dimensions (dia. x max. depth)	157 x 70 mm (6.2 x 2.8 in)
Color	Flame Red (RAL 3000)
Certified B15	Acc. To DIN 4102
Weight	360 g (0.8 lb)

## Ordering Information

**Model | Description**  
LBC 3081/02 Fire Dome