



LBC 3483/00 Horn Loudspeaker



- ▶ High efficiency driver
- ▶ Excellent speech reproduction
- ▶ Up to 52,5 W (max. power)
- ▶ Provision for inside mounting of the optional line/loudspeaker supervision board
- ▶ Water-and dust protected to IP65
- ▶ Compliant with EVAC standards

Bosch high-efficiency horn loudspeakers provide excellent speech reproduction and sound distribution for a wide scope of outdoor applications. They are ideal for sports grounds, parks, exhibitions, factories and swimming pools.

The LBC 3483/00 is a circular 35 W horn loudspeaker, measuring 490 mm in diameter. They are made from aluminum. The edges of the horns are covered with a PVC profile for protection against impact damage. Finished in light grey (RAL 7035). The horns are water and dust protected.

Voice alarm loudspeaker

The LBC 3483/00 is designed for use in voice alarm systems and is compliant with EVAC standards.

The Horn loudspeaker has built-in protection to ensure that, in the event of a fire, damage to the loudspeaker does not result in failure of the circuit to which it is connected. In this way, system integrity is maintained; ensuring loudspeakers in other areas can still be used to inform people of the situation. The Horn loudspeaker has a ceramic terminal block, thermal fuse and heat resistant, high-temperature wiring.

They have provision for inside mounting the optional line/loudspeaker supervision boards.

Functions

The rear cover on the horn is made from self-extinguishing ABS (acc. to class UL 94 V0). The connection cable is fed out through a cable gland (PG 13.5) in rear cover. For loop through connection, the rear cover is fitted with a second hole (covered as standard supplied).

These integrated horns are also available as separate horn and driver, allowing installing any combination of horn and driver. See order information for the type numbers.

Certifications and Approvals

Quality assurance

All Bosch loudspeakers are designed to withstand operating at their rated power for 100 hours in accordance with IEC 268-5 Power Handling Capacity (PHC) standards. Bosch has also developed the Simulated Acoustical Feedback Exposure (SAFE) test to demonstrate that they can withstand two times their rated power for short durations. This ensures extra reliability under extreme conditions, leading to higher customer satisfaction, longer operation life, and much less chance of failure or performance deterioration.

Safety	EN60065
EVAC compliant acc. to	BS5839 part 8
Water- and Dust Protected	acc. to IEC 60529 IP 65

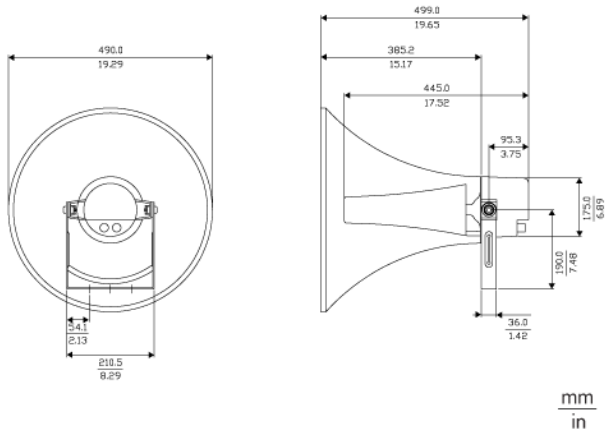
Installation/Configuration Notes

Simple Power Setting

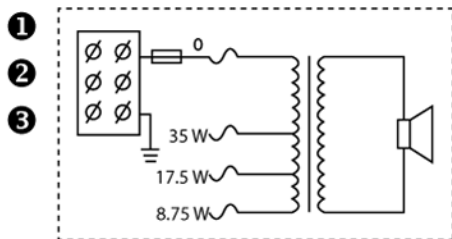
The horn has a three-way terminal block with screw connection (including earth). Three primary taps are provided on the matching transformer to allow selection of nominal full-power, half-power or quarter-power radiation (i.e. in 3 dB steps).

Mounting

The horn loudspeakers are supplied complete with sturdy adjustable steel mounting brackets, allowing the sound beam to be accurately directed.

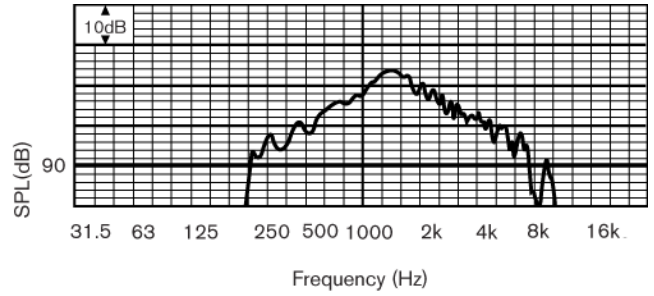


Dimensions

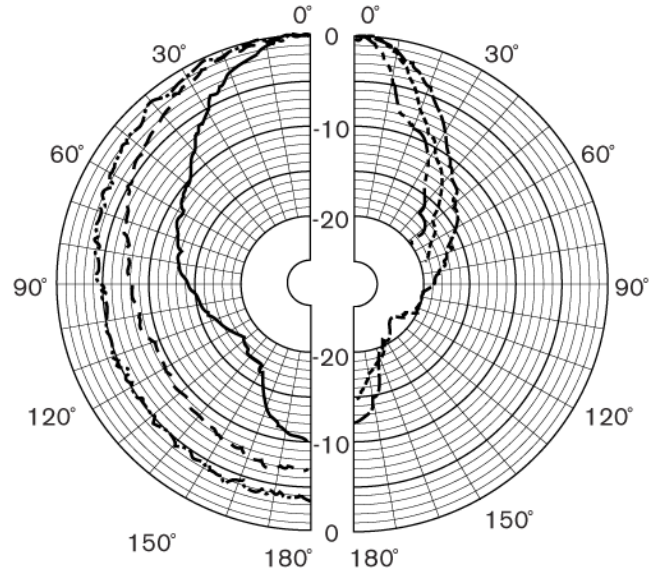


Circuit diagram

- 1 Common
- 2 Phase
- 3 Earth



Frequency response



- 250 Hz
- 500 Hz
- 1000 Hz
- 2000 Hz
- 4000 Hz
- 8000 Hz

Polar diagram (measured in pink noise)

Parts Included

Quantity	Component
1	LBC 3483/00 Horn Loudspeaker
1	PG 13.5 cable gland (fitted)

Technical Specifications

Electrical

Maximum Power	52.5 W
Rated Power (PHC)	35 W (35-17.5-8.75 W)
Sound Pressure Level at Rated Power /1W (at 1 kHz, 1 m)	127 / 112 dB (SPL)
Effective Freq. range (-10 dB)	380 Hz to 5 kHz
Opening Angle (at 1 kHz/4kHz, -6dB)	50° / 25°
Rated Input	100 V
Rated Impedance	286 ohm

Mechanical

Connection	Screw terminal block
Dimensions	
Cable Diameter (Min – Max)	6 mm - 12 mm
Overall Length	499 mm (19.6 inch)
Aperture Diameter	490 mm (20 inch)
Color	Light grey (RAL 7035)
Weight	4.5 kg (10 lb)

Environmental

Ambient Temp.	-25°C +55°C (-13°F to 131°F)
---------------	------------------------------

*) Technical performance data acc. to IEC 60268-5

Ordering Information

Model | Description

LBC 3483/00 Horn Loudspeaker
35 W, aluminum, circular

Hardware Accessories

LBC 3473/00 Horn Driver
35 W, 100 V

LBC 3478/00 Horn, 14" without Driver
Aluminum

LBC 3479/00 Horn, 20" without Driver
Aluminum

Americas:
Bosch Security Systems
130 Perinton Parkway
Fairport, New York, 14450, USA
Phone: +1 585 223 4060
Fax: +1 800 289 0096
security.sales@us.bosch.com
www.boschsecurity.us

Europe, Middle East, Africa:
Bosch Security Systems B.V.
P.O. Box 80002
5600 JB Eindhoven, The Netherlands
Phone: +31 40 27 83955
Fax: +31 40 27 86668
emea.securitysystems@bosch.com
www.boschsecurity.com

Asia-Pacific:
Bosch Security Systems Pte Ltd
38C Jalan Pemimpin
Singapore 577180
Phone: +65 6319 3450
Fax: +65 6319 3499
apr.securitysystems@bosch.com
www.boschsecurity.com

Represented by