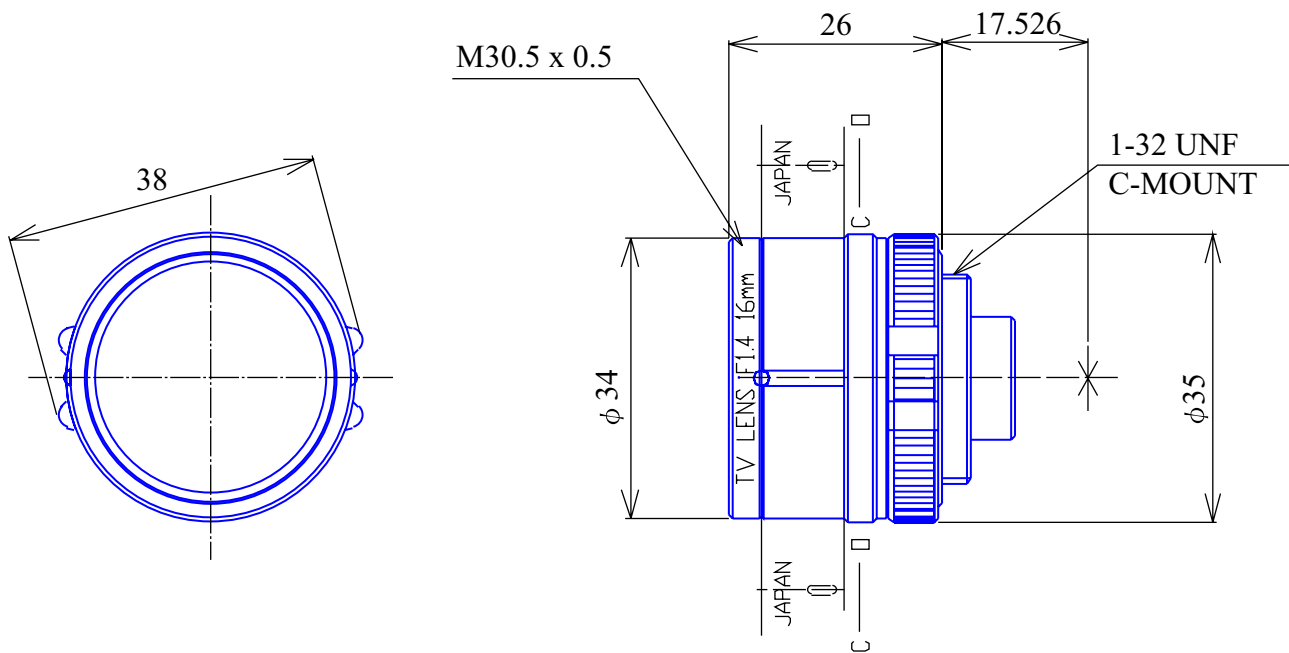


2/3" Format Manual Iris Lenses

Item GM31614C



ITEM NO.		GM31614C
Focal Length		16 (mm)
Iris Rnage		F1.4 - Close
Angle of View (H x V)	2/3"	31.1° x 23.1°
MOD		0.5 (m)
Dimention		35 x 26 (mm)
Weight		50 (g)
Mount		C
Notes		-

GOYO OPTICAL Inc.,

Japanese Office

3-8-31 HAMASAKI,
 ASAKA,
 SAITAMA 351-0033,
 JAPAN,
 TEL:048-474-2235
 FAX:048-474-7373
 E-MAIL:info@goyooptical.com

German Office

KURHAUSSTR,3
 ROOM N'19
 D-55543 BAD KREUZNACH
 GERMANY
 TEL:0671-482255
 FAX:0671-43603
 E-MAIL:info@goyooptical.com