

AutoDome 800 Series HD PTZ Camera

www.boschsecurity.com



BOSCH
Invented for life



- ▶ HD 1080p resolution at 30 images per second (ips)
- ▶ 240x zoom (20x optical, 12x digital)
- ▶ Quad video streaming generates simultaneous H.264, M-JPEG, and JPEG video streams
- ▶ ONVIF conformant; provides interoperability with other conformant systems
- ▶ Embedded Intelligent Video Analytics (IVA) for reliable detection, analysis, and search capabilities

The AutoDome 800 Series is an easy to install, indoor/outdoor PTZ camera with superb HDTV 1080p30 quality video. This discrete, high-speed dome camera features day/night functionality for quality images in low light conditions.

The AutoDome 800 Series provides direct network connection using H.264 and JPEG compression and bandwidth throttling to efficiently manage bandwidth and storage requirements while delivering outstanding image quality. The AutoDome 800 Series provides complete network-based control of all dome functionality including pan/tilt/zoom operation, presets, tours and alarms as well as web-based configuration of all dome settings.

The AutoDome 800 Series conforms to the ONVIF (Open Network Video Interface Forum) specification guaranteeing interoperability between network video products regardless of manufacturer.

AutoDome 800 Series highlights

The AutoDome 800 Series delivers state-of-the-art technology and features that far exceed other PTZ cameras. The camera streams high-definition video with 20x optical zoom in a field-proven outdoor housing.

720p resolution at 60 images per second provides smooth, detailed video of fast moving objects. 1080p resolution at 30 images per second delivers six times the detail level of standard definition cameras, ensuring crisp video even when zooming in digitally to extend the camera's range. In addition, the 16:9 aspect ratio increases situational awareness by maximizing the field of view without compromising image clarity.

Its variable pan and tilt speeds and AutoPivot ensure optimal camera control and viewing at all zoom levels. The high-performance 240x (20x optical/12x digital) zoom camera incorporates the latest digital imaging technology with excellent sensitivity and resolution. With 99 user-defined presets as well as tour and AutoPan modes, The AutoDome 800 Series is not small on features.

The AutoDome 800 Series maximizes your security investment by integrating with Bosch video products including the Bosch Video Client, Bosch Video Management System, and the Bosch Recording Station, as well as the full range of Bosch video over IP products.

Bosch offers a full complement of hardware (as a separate purchase) for wall, corner, mast, roof, and pipe mount applications for indoor and outdoor environments.

System Overview

High-performance 240x PTZ day/night camera

The AutoDome 800 Series camera has a 1/2.8-in.-type CMOS sensor, with 1080p resolution and sensitivity to below 1.0 lux.

The AutoDome supports 99 pre-positions and two styles of Guard Tours: Preset and Record/Playback. The preset standard tour is capable of storing 99 sequential pre-positions with a configurable dwell time between pre-positions. The AutoDome Series also provides support for two recorded tours, which have a combined duration of 15 minutes of movements. These are recorded macros of an operator's movements, including pan, tilt, and zoom activities, and can be played back in a continuous manner. Pan and tilt preset repeatability are accurate to within ± 0.1 degrees to ensure that the correct scene is captured every time. The AutoDome 800 Series delivers variable pan/tilt speeds from a crawl speed of only 0.1 degrees per second up to an ultra-quick 120 degrees per second. The dome is capable of pan speeds of 360 degrees per second and tilt speeds of 100 degrees per second between prepositions. The AutoDome 800 Series provides a tilt angle 18 degrees above the horizon, and a pan range of up to 360 degrees continuous rotation.

The AutoDome 800 Series also offers two AutoPan modes: a continuous 360 degree tour mode and a mode where the camera pans between user-defined limits. In addition the AutoScaling (proportional zoom) and AutoPivot (automatically rotates and flips the camera) features ensure optimal control.

Ultra-efficient H.264 encoding

The AutoDome 800 Series uses an advanced H.264 encoder to create high-definition streaming video at ultra-low bit rates. Use of H.264 encoding, bandwidth throttling, and multicasting capabilities, minimizes bandwidth and storage usage to significantly reduce costs. The AutoDome 800 Series supports 1080p30, 720p60, 720p30, 480p30 (WVGA), and 240p30 (WQVGA) resolutions for 50 Hz and 60 Hz models at 16:9 aspect ratio.

Multiple video streams

Bosch's innovative Quad-streaming feature enables the AutoDome 800 Series to deliver three H.264 streams together with an M-JPEG stream in full and reduced bandwidth modes. During full bandwidth operation (full HD 1080p30 or high frame rate 720p60) the second stream is an exact copy of the first stream. In reduced bandwidth mode (720p30), the second stream is an independently configurable, downscaled-resolution stream. In both modes the third H.264 stream consists of HD I-frames only. These streams facilitate bandwidth-efficient viewing and recording options as well as integration with third-party video management systems.

ONVIF conformant

The AutoDome 800 Series conforms to the ONVIF (Open Network Video Interface Forum) specification guaranteeing interoperability between network video products regardless of manufacturer. ONVIF conformant devices are able to exchange live video, audio, metadata and control information and ensure that they are automatically discovered and connected to network applications such as video management systems.

Intelligence

With built-in video content analysis, the AutoDome reinforces the Intelligence-at-the-Edge concept where edge devices become increasingly intelligent. The AutoDome comes with Bosch's Intelligent Video Analysis (IVA) built-in. IVA is state-of-the-art intelligent video analysis that reliably detects, and analyzes moving objects while suppressing unwanted alarms from spurious sources in the image. The IVA functionality built into the AutoDome is able to detect idle and removed objects as well as loitering, multiple line crossing, and trajectories. IVA also supports BEV (Bird's Eye View) People counting. Assisted Self Calibration and configurable detection filters improve reliability and reduce operator work load.

Advanced networking capabilities

The AutoDome offers advanced capabilities so you can configure the camera to take advantage of the latest networking technology.

The AutoDome offers Quality of Service (QoS) configuration options to ensure fast network response to PTZ data and images. Quality of Service (QoS) is the set of techniques to manage network resources. QoS manages the delay, delay variation (jitter), bandwidth, and packet loss parameters to guarantee the ability of a network to deliver predictable results. QoS identifies the type of data in a data packet and divides the packets into traffic classes that can be prioritized for forwarding.

The AutoDome also supports the IPv6 internet-layer protocol for packet-switched internetworking across multiple IP networks. IPv6 uses 128-bit addresses (IPv4 uses 32-bit addressing), which allows for many

more devices and users on the internet as well as extra flexibility in allocating addresses and efficiency for routing traffic.

Fiber Optic Kits

Bosch offers the optional VG4-SFPSCKT, a unique media converter module for use with 800 Series AutoDomes. This media converter module is designed to accept a wide-range of 10/100 Mbps SFP modules for use with Multimode or Singlemode optical fiber with LC or SC connectors.

The media converter module along with the SFP module is user-installed directly into the AutoDome's power supply box to provide an integrated fiber optic solution.

Ease of installation and servicing

The AutoDome 800 Series has been designed for quick and easy installation; a key feature from Bosch CCTV products. All housings feature recessed screws and latches for increased tamper resistance.

Outdoor Pendant housings are rated to provide IP 66 protection and are offers an operating temperature range down to -45°C (-49°F). The outdoor pendant comes fully assembled with a sunshield and ready for wall or pipe applications with the proper mounting hardware (purchased separately). In addition, the pendant housing comes equipped with a low-impact, high-resolution acrylic bubble for enhanced image clarity. You can easily convert the outdoor pendant for indoor applications by removing the sunshield.

Note: Bosch offers a full complement of hardware and accessories (as a separate purchase) for corner, mast, roof, and pipe mount applications, which allow the AutoDome to be easily adapted to individual site requirements.

Unsurpassed reliability

As with all Bosch products, the AutoDome 800 Series has been subjected to the industry's most comprehensive and demanding battery of endurance tests such as HALT (highly accelerated life testing) to make sure it will hold up through years of use. And of course, it comes with Bosch's industry-leading 3-year warranty.

Functions

The following are some of the features that make the AutoDome 800 Series the perfect fit for a variety of surveillance applications.

Inputs and outputs

The AutoDome 800 Series can handle two (2) alarm inputs and one (1) open-collector alarm output, which can drive an external device.

iSCSI device support

Built-in iSCSI support allows the AutoDome 800 Series to stream video directly to an iSCSI RAID array. This enables efficient video storage and overall system

scalability without compromise to recording performance when paired with suitable iSCSI storage arrays.

Network-based control and configuration

The AutoDome 800 Series enables full camera control and configuration capabilities over the network.

Operators or technicians can control camera pan/tilt/zoom operation, presets, tours, and alarm management functions virtually anywhere without need for additional wiring.

The embedded web server lets the installer access all the user settings, make camera adjustments, and update firmware via a standard web browser.

Device management

Simple Network Management Protocol (SNMP) support facilitates the remote monitoring and management. The AutoDome 800 Series provides full support for SNMP v3.

Superior privacy masking

The AutoDome 800 Series provides 24 individual, easy to configure privacy masks, with up to 24 displayed in the same scene. As the camera is zoomed each mask changes size smoothly and quickly ensuring that the covered object cannot be seen. You also have a choice of black or gray masking characteristics.

Viewing

View the video on a PC using a Web browser or via the Bosch Video Client, the Bosch Recording Station, the Bosch Video Management System, or integrate it into another video management system.

Certifications and Approvals

HD standards

- Complies with the SMPTE 274M-2008 Standard in:
 - Resolution: 1920x1080
 - Scan: Progressive
 - Color representation: complies with ITU-R BT.709
 - Aspect ratio: 16:9
 - Frame rate: 25 and 30 frames/s
- Complies with the 296M-2001 Standard in:
 - Resolution: 1280x720
 - Scan: Progressive
 - Color representation: complies with ITU-R BT.709
 - Aspect ratio: 16:9
 - Frame rate: 25, 30, 50 and 60 frames/s

Electromagnetic Compatibility (EMC)	Complies with FCC Part 15, ICES-003, and CE regulations
Product Safety	Complies with CE regulations, UL, CSA, EN, and IEC Standards
Weatherproofing	IP66

Region	Certification
Europe	CE

Parts Included

Outdoor Pendant

1	Fully-assembled outdoor pendant housing with sunshield
1	Acrylic bubble, clear

Notes:

- The pendant can be converted to an indoor pendant by removing the sunshield.
- Mounting hardware and accessories are available separately.

Technical Specifications

20x HD Day/Night Camera

Imager	1/2.8-in.-type CMOS	
Number of Pixels	Effective: Approximately 3.27 megapixels Delivered: Approximately 2 megapixels	
Aspect Ratio	HD: 16:9	
Lens	20x optical zoom,(4.7 to 94 mm)	
Focus	One-push (default), Automatic (normal, low), Manual	
Iris	Automatic with manual override (F1.6 to F3.5)	
Field of View		
• 1080p Mode	2.9° (tele) to 55.4° (wide)	
• 720p Mode	2.0 (tele) to 37.6 (wide)	
Minimum Working Distance	10 mm (wide) to 150 mm (tele)	
Automatic Gain Control	Automatic/Manual (-3 to +28 dB, +2 dB steps/16 steps)	
Synchronization	Internal	
Aperture Correction	Adjustable sharpness	
Digital Zoom	12x	
Sensitivity (typical) ¹	30 IRE²	50 IRE²

Day Mode

SensUP Off (1/30 [1/25] shutter); High Sensitivity Off	0.8 lux (0.074 fc)	1.7 lux (0.158 fc)
SensUP On, max. (0.25 sec. shutter); High Sensitivity On ³	0.04 lux (0.004 fc)	0.08 lux (0.007 fc)

Night Mode

SensUP Off (1/30 [1/25] shutter); High Sensitivity Off	0.12 lux (0.011)	0.3 lux (0.028 fc)
SensUP On, max. (0.25 sec. shutter); High Sensitivity On ³	0.005 lux (0.0005 fc)	0.011 lux (0.001 fc)

Electronic Shutter Speed (AES)	1/1 to 1/10000 s, 22 steps
Wide Dynamic Range (WDR)	86 dB (50 dB with WDR off)
Signal to Noise Ratio	> 50 dB (AGC off)
Backlight Compensation	On/Off
White Balance	Auto, ATW, Indoor, Outdoor, Outdoor Auto, Sodium Vapor Lamp, One-push, Manual
Day/Night	Monochrome, Color, Auto

1. F1.6, maximum AGC. Normal light source (Halogen lamp).

2. Tinted bubble adds 0.8 f-stop loss.

3. Measured using ND1 + ND4 filters and recalculated with the transmission factor at 0.0025.

Software Control

Camera Setup/Control	Via Internet Explorer Web browser version 7.0 or later, Bosch Configuration Manager or BVMS
Software Update	Firmware upload

Network

Standards	H.264 (ISO/IEC 14496-10), M-JPEG, JPEG
Streaming	Individually configurable streams in H.264 and M-JPEG, configurable frame rate and bandwidth;
• 1080p30	One (1) H.264 1080p30 stream plus one (1) M-JPEG and one (1) I-frame stream
• 720p60	One (1) H.264 720p60 stream plus one (1) M-JPEG and one (1) I-frame stream
• 720p30	Two (2) independently configurable H.264 streams: One (1) H.264 720p30 stream, One (1) H.264 BP+ or H.264 MP SD stream, plus one (1) M-JPEG and one (1) I-frame stream
GOP Structure	IP, IBP, IBBP
Data Rate	9.6 kbps to 6 Mbps
Overall IP Delay	240 ms

Resolutions (H x V) and Frame Rates

Stream 1

• Full HD/1080p	1920 x 1080, 30 ips
• HD/720p	1280 x 720, 60 ips
• HD/720p	1280 x 720, 30 ips

Stream 2⁴

• SD/480p (WVGA) ⁵	854 x 480, 30 ips
• SD/240p (WQVGA) ⁵	432 x 240, 30 ips

4. Stream 1 must be set to 720p at 30 ips.

5. Images displayed in 16:9 aspect ratio.

Network	
Protocols	RTP, Telnet, UDP, TCP, IP, HTTP, HTTPS, FTP, DHCP, IGMP V2/V3, ICMP, ARP, SMTP, SNMP, RTSP, 802.1x, iSCSI, DynDNS, UPnP
Advanced Networking	IPv6, QoS
Ethernet	10-Base T/100 Base-TX, auto-sensing, half/full duplex, RJ45
Audio	
• Standard	G.711, 8 kHz sampling rate L16, 16 kHz sampling rate AAC
• Signal-to-Noise Ratio	>50 dB
• Audio Streaming	Full Duplex / Half Duplex

Fiber Optic Specifications

VG4-SFPSCKT

Description	Fiber Optic Ethernet Media Converter kit. Requires a small form-factor pluggable (SFP) module (sold separately).
Data Interface	Ethernet
Data Rate	10/100 Mbps IEEE 802.3 Compliant Full Duplex or Half Duplex Electrical Port Full Duplex Optical Port
Compatible Receiver	CNFE2MC
Installation	Installed inside a VG4-A-PA0, VG4-A-PA1, VG4-A-PA2, VG4-A-PSU1, or a VG4-A-PSU2 power supply box with supplied mounting hardware

SFP Modules

Description	Interchangeable modules available for use with MMF or SMF optical fiber.
Data Interface	Ethernet
Data Rate	10/100 Mbps IEEE 802.3 Compliant

Mechanical

Dimensions (LxWxH)	
• SFP-2 and SFP-3	55.5 x 13.5 x 8.5 mm (2.2 x 0.5 x 0.3 in.)
• SFP-25, SFP-26	63.8 x 13.5 x 8.5 mm (2.5 x 0.5 x 0.3 in.)
Weight (all SFP modules)	0.23 kg (.05 lb)

Type	Connect or	Wavelength (transmit/receive)	Max. Distance
------	------------	-------------------------------	---------------

SFP-2	MMF	Duplex LC	1310 nm / 1310 nm	2 km (1.2 miles)
SFP-3	SMF	Duplex LC	1310 nm / 1310 nm	20 km (12.4 miles)
SFP-2 5	MMF	Single SC	1310 nm / 1550 nm	2 km (1.2 miles)
SFP-2 6	MMF	Single SC	1550 nm / 1310 nm	2 km (1.2 miles)

Fiber Compatibility

Optical Fiber Compatibility, MMF	50/125 μ m MMF. For 50/125 μ m fiber, subtract 4 dB from the specified optical budget value. Must meet or exceed fiber standard ITU-T G.651.
Optical Fiber Compatibility, SMF	8–10/125 μ m SMF. Must meet or exceed fiber standard ITU-T G.652.
Optical Distance Specifications	Specified transmission distances are limited to the optical loss of the fiber and any additional loss introduced by connectors, splices, and patch panels. The modules are designed to operate over the entire optical loss budget range, so they do not require a minimum loss in order to operate.

Mechanical

Pan Range	360° cont.
Tilt Angle	18° above horizon
Variable Speed	0.1°/s-120°/s
Pre-position Speed	Pan: 360°/s Tilt: 100°/s
Preset Accuracy	\pm 0.1° typ.

Electrical

Input Voltage	21-30 VAC 50/60 Hz
Power Consumption, typical	55 W / 60 VA or 19 W / 35 VA ⁶

6. Without heater connected in power supply box for indoor applications.

Surge Suppression

Protection on Video	Peak current 10 kA (Gas Tube Arrester)
Protection on Audio	Peak current 10 A, peak power 300 W (8/20 μ s)
Protection on RS-232/485	ESD protection \pm 15 KV human body model
Protection on Alarm Inputs	Peak current 17 A, peak power 300 W (8/20 μ s)
Protection on Alarm Outputs	Peak current 2 A, peak power 300 W (8/20 μ s)

Protection on Relay Outputs	Peak current 7.3 A, peak power 600 W (10/1000 μ s)
Protection on Power Input (Dome)	Peak current 7.3 A, peak power 600 W (10/1000 μ s)
Protection on Power Output (Arm Power Supply)	Peak current 21.4 A, peak power 1500 W (10/1000 μ s)
10/100 Ethernet Data Lines	Peak current 14 A, peak power 200 W (8/20 μ s)

Miscellaneous

Sectors/Titling	16 independent sectors with a 20-character title/sector
Masking	24 individually configurable privacy masks
Protocol Support	Bosch (OSRD), ONVIF
Pre-positions	99, each with 20-character titles
Guard Tours	Two (2) types of tours: <ul style="list-style-type: none"> Recorded tours – two (2), total duration 15 minutes Preset tour – one (1), consisting of up to 99 scenes, consecutively
Supported Languages	English, German, Dutch, French, Italian, Spanish, Portuguese, Polish, and Japanese

User Connections

Power, Camera	21-30 VAC, 50/60 Hz
Power, Heater	21-30 VAC, 50/60 Hz
Video and Control	RJ-45 100 Base-TX Ethernet
Alarm Inputs (2)	Programmable for “normally open” or “normally closed”
Open Collector Output (1)	32VDC@150 ma max
Audio Input Line Level (one way audio)	
• Input Voltage	5.5 Vp-p max
• Impedance	9 Kohm typical

Environmental

Design Rating	IP66
Operating Temp.	-45°C to 55°C (-49°F to 131°F) or -10°C to 50°C (14°F to 122°F) ⁸
HALT ⁹ Temp. Tests	-70°C to 70°C (-94°F to 158°F)
Storage Temp.	-45°C to 70°C (-49°F to 158°F)

Humidity	0% to 100% relative, condensing
----------	---------------------------------

8. Without heater connected in power supply box for indoor applications.

9. Highly Accelerated Life Tests. Maximum temperature limits.

Construction

Dimensions	See dimensional drawings
Weight	
• Indoor Pendant	2.88 kg (6.3 lb)
• Outdoor Pendant	3.03 kg (6.68 lb)
Bubble Size	153.1 mm (6.03 in.) diameter
Construction Material	
• Housing	Cast aluminum
• Bubble	Acrylic (high-resolution)
Standard Color	White (RAL9003)
Standard Finish	Powder coated, sand finish

Mounts/Accessories

Bubble

Pendant

Clear high-resolution acrylic	VGA-BUBBLE-PCLA
Tinted high-resolution acrylic	VGA-BUBBLE-PTIA

Pendant Arm Mounts

Wall Arm (No Transformer)	VG4-A-PA0
Wall Arm (120/230 VAC Transformer)	VG4-A-PA1 / VG4-A-PA2
Pendant Arm with Wiring	VGA-PEND-ARM
Mounting plate for VGA-PEND-ARM	VGA-PEND-WPLATE
Trim skirt for AutoDome Series Power Supplies	VG4-A-TSKIRT

Optional Mounting Plates for Arm Mounts

Corner Mounting Plate	VG4-A-9542
Mast (Pole) Mounting Plate	VG4-A-9541

Pendant Pipe Mounts

Pipe Mount Cap	VG4-A-9543
----------------	------------

Pendant Roof Mounts

Roof (Parapet) Mount (VG4-A-9543 Pipe Mount Cap required. Available separately.)	VGA-ROOF-MOUNT
---	----------------

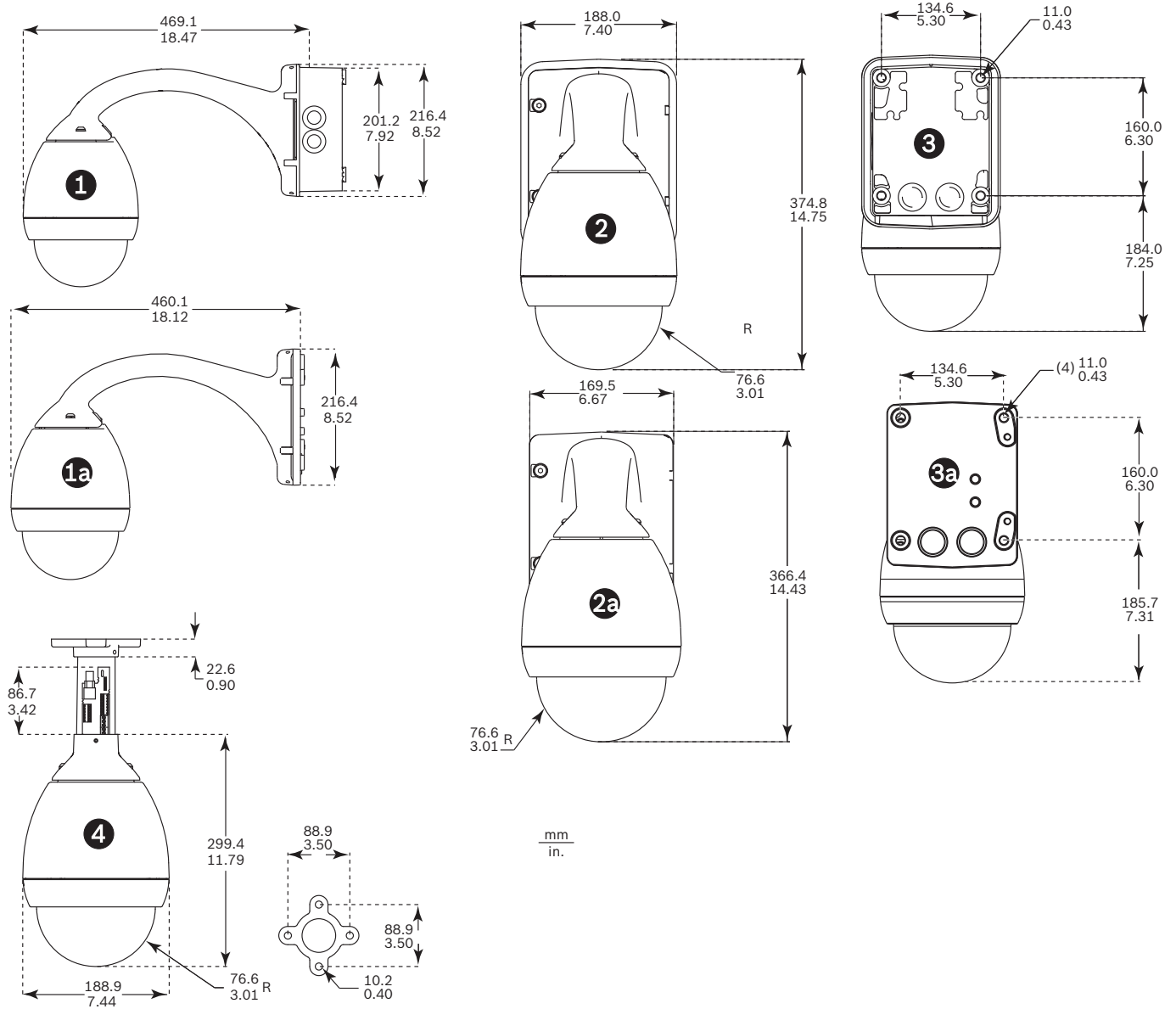
Optional Mounting Plates for Roof Mounts

Flat Roof Adapter for Parapet Mount	LTC 9230/01
-------------------------------------	-------------

Power Supplies

Outdoor Power Supply Box, no transformer	VG4-A-PSU0
Outdoor Power Supply Box (120/230 VAC Transformer)	VG4-A-PSU1 / VG4-A-PSU2
Fiber Optic Kit	VG4-SFPSCKT

Dimensions: Pendant without Sunshield



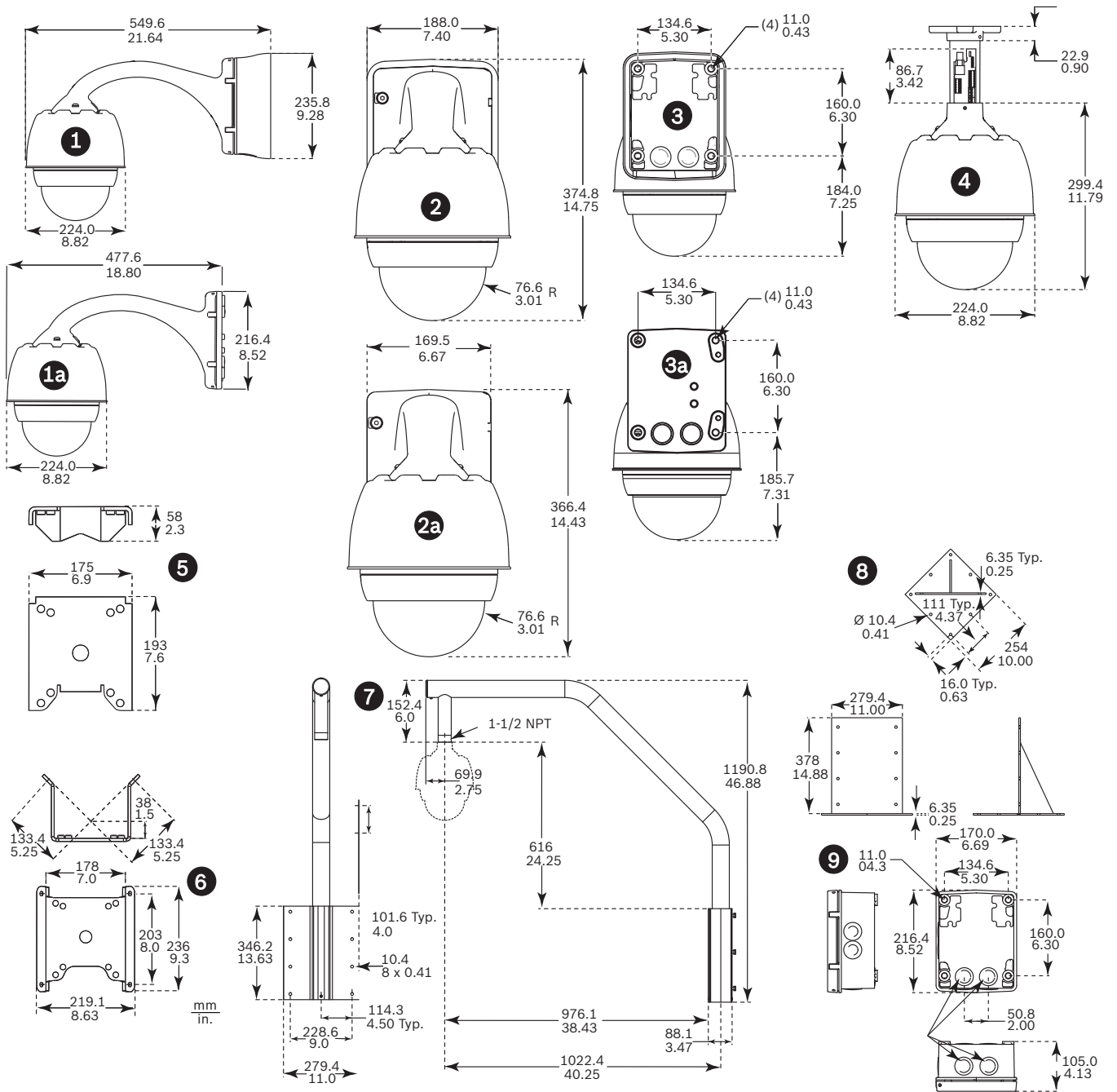
Indoor System Dimensions

Reference Description

- 1 Wall Mount – Side with power supply
- 1a Wall/Mast Mount – Side with VGA-PEND-WPLATE
- 2 Wall Mount – Front with power supply and trim skirt
- 2a Wall Mount – Front with power supply

- 3 Wall Mount – Back with power supply and trim skirt
- 3a Wall Mount – Back with power supply
- 4 Pipe Mount

Dimensions: Pendant with Sunshield and Outdoor Mounts



Outdoor System Dimensions

Reference Description

- 1 Wall Mount – Side with power supply and trim skirt
- 1a Wall/Mast Mount – Side with VGA-PEND-WPLATE
- 2 Wall Mount – Front with power supply and trim skirt
- 2a Wall Mount – Front with power supply
- 3 Wall Mount – Back with power supply and trim skirt
- 3a Wall Mount – Back with power supply
- 4 Pipe Mount

- 5 Mast Mount
- 6 Corner Mount
- 7 Roof Mount
- 8 Roof Mount Adapter
- 9 Power Supply for Pipe and Roof Mounts

Ordering Information

VG5-836-ECEV Outdoor 20x AutoDome 800 Series HD Camera with IVA, Clear Bubble, 50/60 Hz
Outdoor AutoDome 800 Series HD with IVA, 20x day/night, 50/60 Hz camera with clear bubble
Order number **VG5-836-ECEV**

Accessories

VGA-BUBBLE-PCLA Clear High-resolution Bubble for a Pendant Housing
Low-impact acrylic bubble
Order number **VGA-BUBBLE-PCLA**

VGA-BUBBLE-PTIA Tinted High-resolution Bubble for a Pendant Housing
Low-impact acrylic bubble
Order number **VGA-BUBBLE-PTIA**

VGA-PEND-ARM Pendant Arm with Wiring
Compatible with an AutoDome Series pendant housing
Order number **VGA-PEND-ARM**

VGA-PEND-WPLATE Mounting Plate
Mounting plate for VGA-PEND-ARM, compatible with an AutoDome Series camera
Order number **VGA-PEND-WPLATE**

VGA-ROOF-MOUNT Roof Mount
Roof parapet mount, white
(VG4-A-9543 Pipe Mount Cap required. Available separately.)
Order number **VGA-ROOF-MOUNT**

LTC 9230/01 Flat Roof Mount Adapter
For mounting a unit in an upright position on a flat surface for roof parapet mount VGA-ROOF-MOUNT
Order number **LTC 9230/01**

VG4-A-9541 Pole Mount Adapter
Pole mount adapter for a for an AutoDome Series pendant arm or a VEI-30 or NEI-30 Dinion Infrared Imager, designed for poles with a diameter of 100-380 mm (4-15 in.), white
Order number **VG4-A-9541**

VG4-A-9542 Corner Mount Adapter
Corner mount adapter for an AutoDome Series pendant arm or a VEI-30 or NEI-30 Dinion Infrared Imager
Order number **VG4-A-9542**

VG4-A-9543 Pipe Mount
Pipe mount, white, for an AutoDome Series pendant housing
Order number **VG4-A-9543**

VG4-A-PA0 Pendant Arm Mount
Pendant arm mount with power supply box for a AutoDome Series cameras, no transformer, white
Order number **VG4-A-PA0**

VG4-A-PA1 Pendant Arm Mount with 120 VAC Transformer
Pendant arm mount with power supply box for AutoDome Series cameras with a 120 VAC transformer, white
Order number **VG4-A-PA1**

VG4-A-PA2 Pendant Arm Mount with 230 VAC Transformer
Pendant arm mount with power supply box for AutoDome Series cameras with a 230 VAC transformer, white
Order number **VG4-A-PA2**

VG4-A-PSU0 24 VAC Power Supply Unit
24 VAC, 100 W, white, for an AutoDome Series camera
Order number **VG4-A-PSU0**

VG4-A-PSU1 120 VAC Power Supply Unit
120 VAC, 100 W, white, for an AutoDome Series camera
Order number **VG4-A-PSU1**

VG4-A-PSU2 230 VAC Power Supply Unit
230 VAC, 100 W, white, for an AutoDome Series camera
Order number **VG4-A-PSU2**

VG4-SBOX-COVER Cover for Power Supply Box
Spare cover for AutoDome power supply boxes and for the VEI-30 and NEI-30 junction boxes
Order number **VG4-SBOX-COVER**

VG4-SFPCKT Fiber Optic Ethernet Media Converter Kit
Ethernet media converter video transmitter/data receiver fiber optic kit
Order number **VG4-SFPCKT**

VG4-A-TSKIRT Trim Skirt for AutoDome Power Supply Boxes
Trim skirt for the following AutoDome Series power supply boxes:
VG4-A-PSU0, VG4-A-PSU1, and VG4-A-PSU2
Order number **VG4-A-TSKIRT**

Software Options

MVS-FENC-AES BVIP AES 128 Bit Encryption
BVIP AES 128-bit encryption site license. This license is required only once per installation. It enables encrypted communication between BVIP devices and management stations.
Order number **MVS-FENC-AES**

Represented by:

Americas:

Bosch Security Systems, Inc.
130 Perinton Parkway
Fairport, New York, 14450, USA
Phone: +1 800 289 0096
Fax: +1 585 223 9180
security.sales@us.bosch.com
www.boschsecurity.us

Europe, Middle East, Africa:

Bosch Security Systems B.V.
P.O. Box 80002
5617 BA Eindhoven, The Netherlands
Phone: + 31 40 2577 284
Fax: +31 40 2577 330
emea.securitysystems@bosch.com
www.boschsecurity.com

Asia-Pacific:

Robert Bosch (SEA) Pte Ltd, Security
Systems
11 Bishan Street 21
Singapore 573943
Phone: +65 6571 2808
Fax: +65 6571 2699
apr.securitysystems@bosch.com
www.boschsecurity.asia

China:

Bosch (Shanghai) Security Systems Ltd.
201 Building, No. 333 Fuquan Road
North IBP
Changning District, Shanghai
200335 China
Phone +86 21 22181111
Fax: +86 21 22182398
www.boschsecurity.com.cn

America Latina:

Robert Bosch Ltda Security Systems Division
Via Anhanguera, Km 98
CEP 13065-900
Campinas, Sao Paulo, Brazil
Phone: +55 19 2103 2860
Fax: +55 19 2103 2862
al.securitysystems@bosch.com
www.boschsecurity.com