

LSN improved Test Tool

www.boschsecurity.com



BOSCH
Invented for life



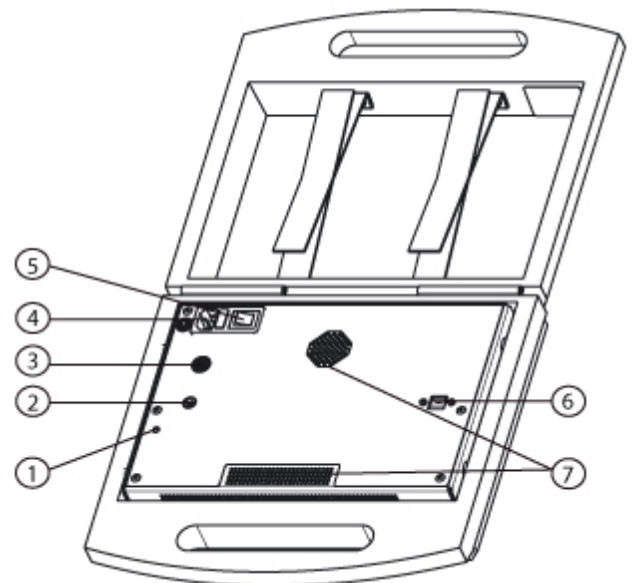
- ▶ Differentiated fault detection and localization on the LSN and LSN improved field bus
- ▶ Professional installation check for handover including documentation
- ▶ Basic functionality testing of peripherals (for sounders and beacons)

The Test Tool tests whether the field bus (LSN and LSN improved) and peripheral elements connected to the bus are set up and functioning correctly. LSN and peripheral elements in a loop, stub, or T-tap and faults in the wiring or in elements are identified and indicated.

LSN field buses belonging to the following panels can be tested using the test device:

- FPA-5000 Modular Fire Panel
- FPA-1200 Fire Panel
- BZ 500 Fire Panel
- UEZ 2000 Hold-Up and Security System
- UEZ 1000 Fire, Hold-Up, and Security System
- NZ 300 Hold-Up and Security System
- MAP 5000 Hold-Up and Security System
- UGM-2020 Universal Security System

System Overview



- 1 Operating lights
- 2 Battery connection (max. 24 V)

- 3 LSN connection
- 4 Power supply (max. 230 V)
- 5 On/off switch
- 6 USB port
- 7 Ventilation

Functions

The Test Tool has two main functions. First, the autodetection detects all elements connected to the field bus and displays their properties. Second, the resistance measurements detects divergencies in line and contact resistances.

Note that the resistance measurements are restricted to loop topologies. Stubs cannot be measured.

Detected faults

- Short circuits
- Creeping shorts
- Interruptions
- Creeping interruptions
- Ground faults
- Defective and faulty elements
- Duplicate rotary switch addresses
- Incorrect LSN mode setting

Parts Included

- 1 LSN improved test device
- 1 Power cable with mains plug
- 1 USB interface cable
- 1 LSN adapter
- 5 LSN connection cables with plug-in terminals and alligator clips
- 1 Grounding cable
- 1 CD with software and driver

Technical Specifications

Voltage range	110 to 230 V AC (50 to 60 Hz)
Operating temperature	0 to +45 °C (+32 to +113 °F)
Storage temperature	-25 to +80 °C (-13 to +176 °F)
Protection category	IP30
Weight	Approx. 5.5 kg (12 lbs)

Ordering Information

LSN improved Test Tool

For testing the LSN field bus and connected peripherals

Order number **FME-420-LSN-TTL**

Represented by:

Americas:

Bosch Security Systems, Inc.
130 Perinton Parkway
Fairport, New York, 14450, USA
Phone: +1 800 289 0096
Fax: +1 585 223 9180
security.sales@us.bosch.com
www.boschsecurity.us

Europe, Middle East, Africa:

Bosch Security Systems B.V.
P.O. Box 80002
5617 BA Eindhoven, The Netherlands
Phone: + 31 40 2577 284
Fax: +31 40 2577 330
emea.securitysystems@bosch.com
www.boschsecurity.com

Asia-Pacific:

Robert Bosch (SEA) Pte Ltd, Security
Systems
11 Bishan Street 21
Singapore 573943
Phone: +65 6571 2808
Fax: +65 6571 2699
apr.securitysystems@bosch.com
www.boschsecurity.asia

China:

Bosch (Shanghai) Security Systems Ltd.
201 Building, No. 333 Fuquan Road
North IBP
Changning District, Shanghai
200335 China
Phone +86 21 22181111
Fax: +86 21 22182398
www.boschsecurity.com.cn

America Latina:

Robert Bosch Ltda Security Systems Division
Via Anhanguera, Km 98
CEP 13065-900
Campinas, Sao Paulo, Brazil
Phone: +55 19 2103 2860
Fax: +55 19 2103 2862
al.securitysystems@bosch.com
www.boschsecurity.com