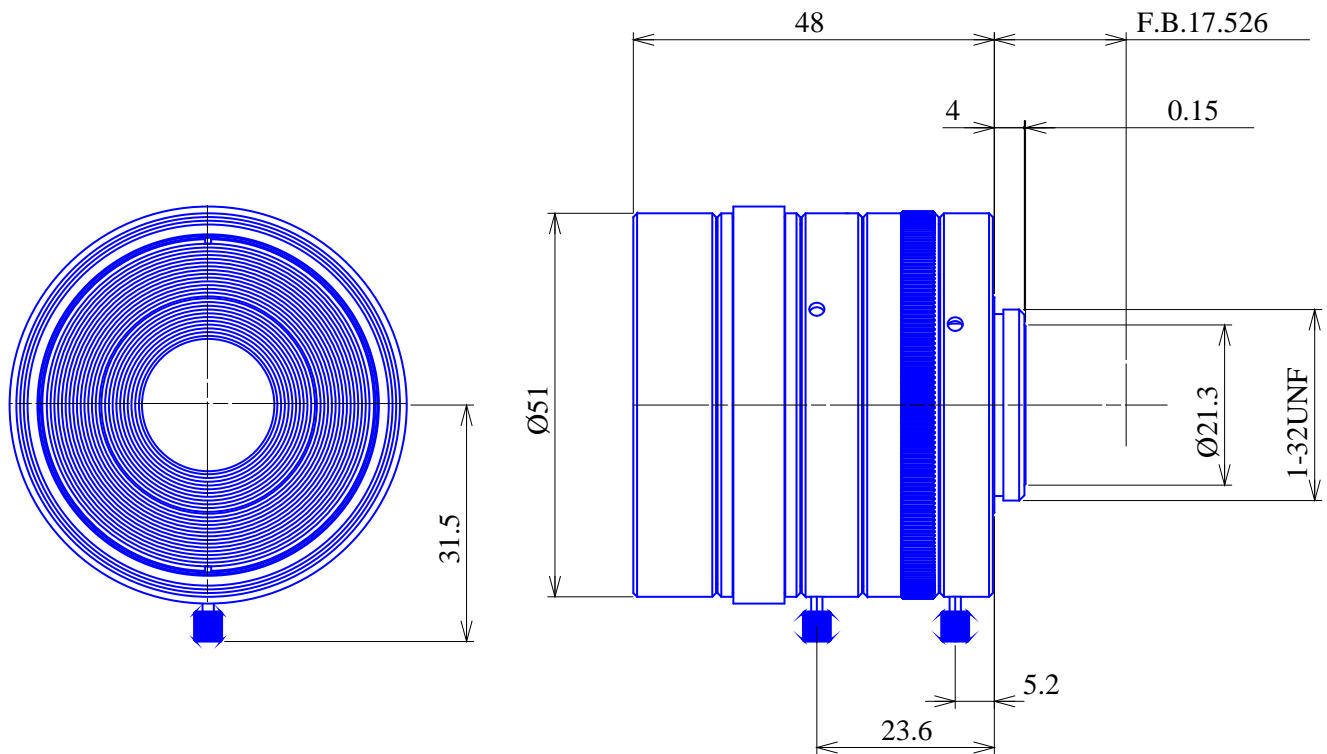


2/3inch Format

High resolution 5 Megapixel Lenses

**Item No. GM5HR32514MCN**

ITEM NO.		GM5HR32514MCN
Focal Length		25 (mm)
Iris Range		F1.4 - 22
Angle of View (H x V x D)	2/3"	20.0° x 15.0°
MOD		0.2 (m)
Filter Thread		M=49, P=0.75
Dimension (D x L)		Ø51 x 48.0 (mm)
Weight		190 (g)