

Installation

LB1-BW12-D1 and LB1-BW12-L1 Bidirectional Cabinet Loudspeaker.

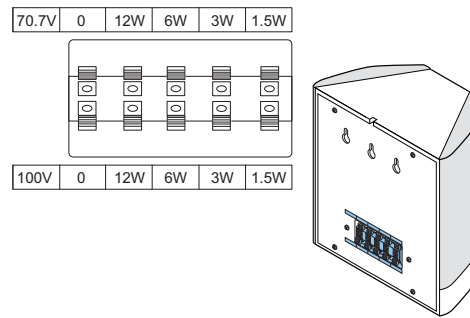


Fig. 1: Power setting

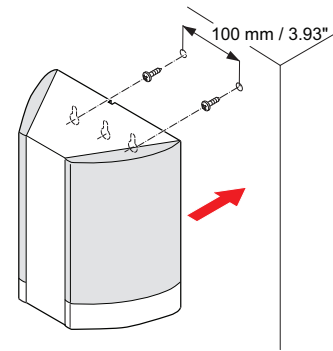


Fig. 2: Wall mounting

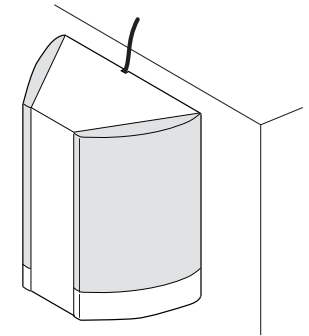


Fig. 3: Cable outlet

Technical data

Electrical*

Maximum power	18 W
Rated power	12 / 6 / 3 / 1.5 W
Sound pressure level at 12 W / 1 W (1 kHz, 1 m)	97 / 86 dB (SPL)
Effective frequency range (-10 dB)	160 Hz to 17 kHz
Opening angle at 1 kHz / 4 kHz (-6 dB)	360° / 71°
Rated input voltage	70 V / 100 V
Rated impedance	417 / 833 ohm
Connector	2x 5-pole push-in terminal block

* Technical performance data acc. to IEC 60268-5

Mechanical

Dimensions (H x W x D)	240 x 238 x 133 mm (9.4 x 9.3 x 5.24 in)
Weight	1.97 kg (4.34 lb)
Color	Black (D1) or white (L1)
cabinet / cloth (D1)	Matches RAL 9004 / RAL 9004
cabinet / cloth (L1)	Matches RAL 9010 / RAL 7044

Environmental

Operating temperature	-25 °C to +55 °C (-13 °F to +131 °F)
Storage temperature	-40 °C to +70 °C (-40 °F to +158 °F)
Relative humidity	<95%

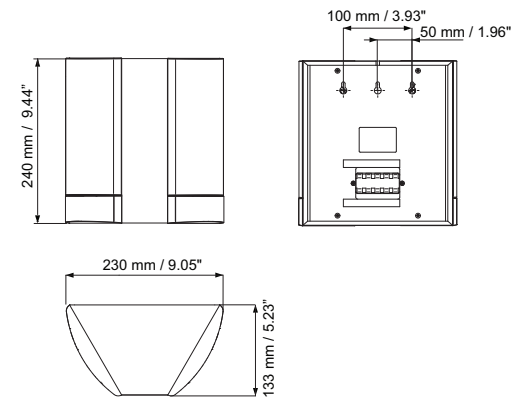


Fig. 4: Dimensions

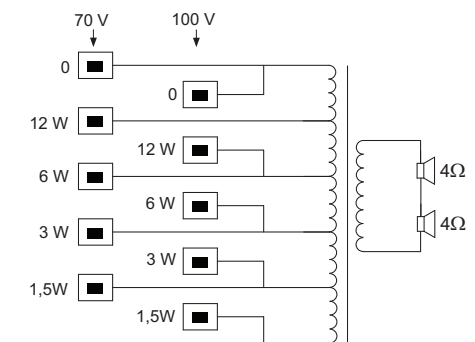


Fig. 5: Circuit diagram

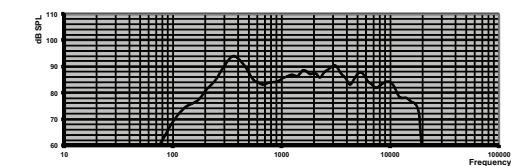


Fig. 6: Frequency response

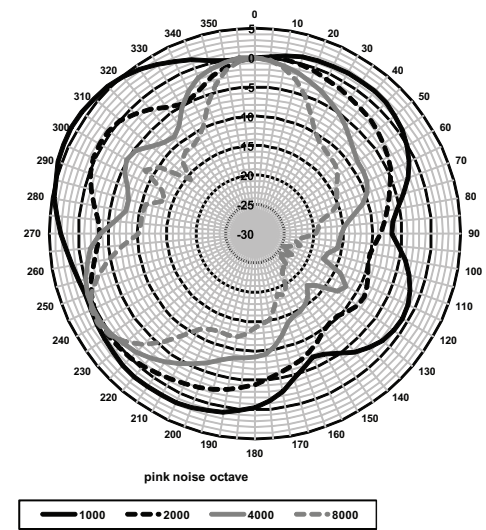


Fig. 7: Polar diagram (Measured with pink noise)

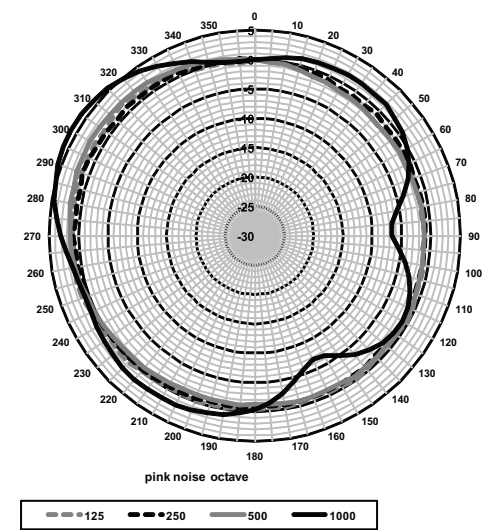


Fig. 8: Polar diagram (Measured with pink noise)



Bidirectional Cabinet Loudspeakers



en Installation note

Bosch Security Systems B.V.

Torenallee 49
5617 BA Eindhoven
The Netherlands

www.boschsecurity.com

© Bosch Security Systems B.V., 2014