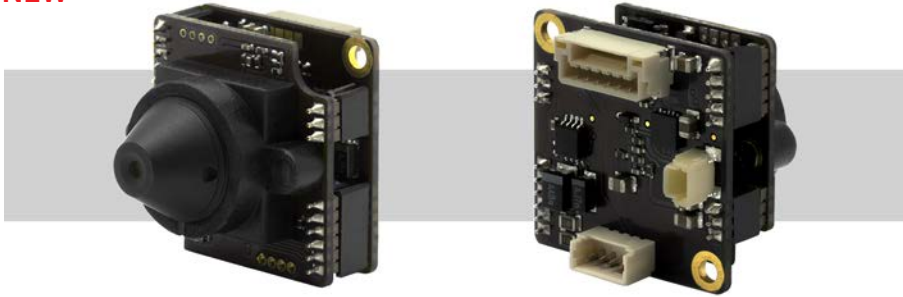


WAT-1100MBD (P3.3) 1/3.2" High Sensitivity Miniature Board D/N Camera

1/3.2" BSI CMOS sensor

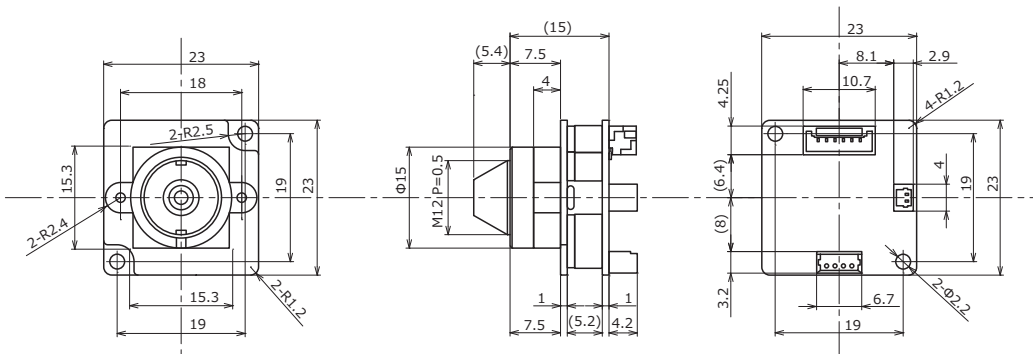
NEW



Key features

- Ultra-compact design only 23 x 23 x 25 mm
- Wide dynamic range, ICR Mechanical less Day/Night function
 - ※Advanced setting available by OSD (On Screen Display) through an optional controller

Dimensions



Specifications

Video standard		NTSC	PAL
Pick-up element		1/3.2 inch BSI CMOS image sensor	
Number of effective pixels		1280(H)×960(V)	1280(H)×924(V)
Unit cell size		3.5μm(H)×3.5μm(V)	
Imaging system		RGB+W array mosaic filters on chip	
Synchronizing system		Internal	
Scanning system		Progressive	
Video output		Composite: 1.0 V(p-p) 75Ω (Unbalanced)	
Resolution (H)		More than 750TVL (Center)	
Minimum illumination		0.005 lx F1.8 (AGC=54dB)	
S/N		More than 55dB (AGC=OFF, γ=1.0)	
Function settings		OSD (On Screen Display) operated by remote controller	
AE mode	Fixed	1/60 sec.	1/50 sec.
		1/100, 1/120, 1/125, 1/250, 1/500, 1/1000, 1/2000, 1/4000, 1/8000, 1/10000, 1/20000, 1/50000, 1/100000 sec.	
	EI	1/60 - 1/100000 sec.	1/50 - 1/100000 sec.
White balance		ATW, PUSH, USER1, USER2, MANUAL, PUSH LOCK	
AGC		0 - 54dB	
MGC		MIN, 6, 12, 18, 24, 30, 36, 42, 48, MAX dB	
Day / Night		ICR mechaless Day/Night	
Gamma characteristics		γ≈0.45	
Noise reduction		2DNR ON (Level adjustable)	
Wide dynamic range		Multiple exposure WDR: ON (Level selectable) / OFF	
		ATR : ON (Level selectable) / OFF	
Lens iris		DC	
Back light compensation		OFF / BLC / HLC	
Defog		OFF / AUTO (Correction level selectable)	
Privacy mask		16masks	
Mirror image		OFF / V-FLIP / H-FRIP / HV-FLIP	
Sharpness		0 - 255 (SHARPNESS)	
Power supply		DC+5V - 12V	
Power consumption		0.72W (60mA) ※12V	
Operating temperature		-10 - +50°C	
Storage temperature		-30 - +70°C	
Operating / Storage humidity		95% RH or less (Without condensation)	
Lens mount		M12 P=0.5	
Standard lens		3324B-12P(A) (f3.3 F2.4)	
Weight		Approx. 8g	
Accessories		4P cable, 2P cable	

Accessories Options

