

WAT-230V2/CS 1/4" Miniature Camera

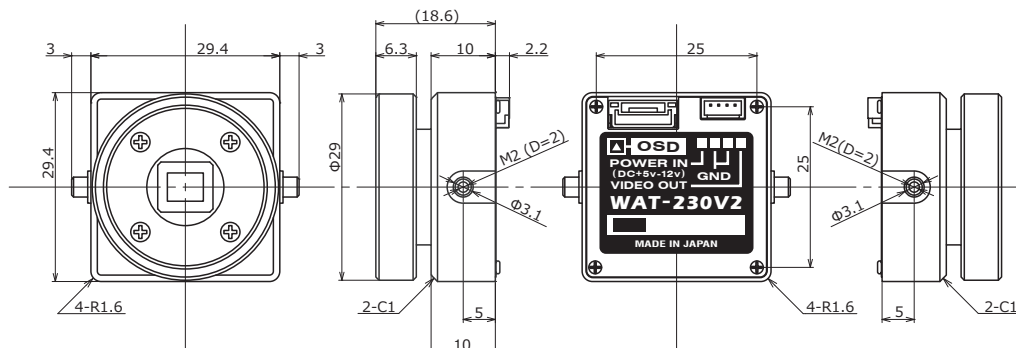
Ultra-compact design for easy installation and limited space



Key features

- High resolution of 650TVL
- Min.illumination 0.05 lx F1.2
- Wide range power supply (DC+5 - +12V)
- Advanced setting available by OSD (On Screen Display) through an optional controller

Dimensions



Specifications

Video standard	NTSC	PAL
Pick-up element	1/4 inch interline transfer CCD image sensor	
Number of effective pixels	976(H) × 494(V)	976(H) × 582(V)
Unit cell size	3.75µm(H) × 5.56µm(V)	3.75µm(H) × 4.69µm(V)
Imaging system	Ye, Cy, Mg, and G complementary color mosaic filters on chip	
Synchronizing system	Internal	
Scanning system	2:1 interlace	
Video output	Composite video, 1.0 V(p-p), 75Ω (Unbalanced)	
Resolution (H)	More than 650TVL (Center)	
Minimum illumination	0.05 lx F1.2	
S/N	More than 50dB	
Function settings	OSD(On Screen Display) operated by optional remote controller	
AE mode	Fixed	1/60, 1/100 sec. / 1/50, 1/120 sec.
	EI	1/250, 1/500, 1/1000, 1/2000, 1/4000, 1/10000 sec. / 1/60 - 1/100000 sec. / 1/50 - 1/100000 sec.
White balance	ATW, PUSH, USER1, USER2, ANTI CR, MANUAL, PUSH LOCK	
AGC	ON	0 - 45dB
	OFF	0dB
MGC	8 steps (Selectable)	
Gamma characteristics	γ≈0.45	
Noise reduction	2DNR ON / OFF	
Back light compensation	OFF / BLC / HLC	
White blemish correction	Max 64 dots	
Privacy mask	8 masks	
Mirror image	ON (H-FLIP) / OFF	
Video level	0 - 255 (BRIGHTNESS)	
Setup level	7.5 IRE	0 IRE
Output switching	AUTO / COLOR / BW	
Sharpness	0 - 255 (SHARPNESS)	
Power supply	DC+5V - +12V	
Power consumption	0.775W/155mA (DC+5V), 0.75W/125mA (DC+6V), 0.78W/65mA (DC+12V)	
Operating temperature	-10 - +50°C	
Storage temperature	-30 - +70°C	
Operating / Storage humidity	95% RH or less (Without condensation)	
Lens mount	CS mount	
Weight	Approx. 28g	
Accessory	4P cable	

Accessories Options

