

G-COMIN

Innovative LED Light Manufacturer

LED Highbay Light 4BAY



145LM/W

SHENZHEN COMING TECHNOLOGY CO.,LTD

T: +86-755-28462760
E: info@co-ming.com
www.co-ming.com

ADD: Coming Industrial Park
Longgang District
Shenzhen China



RoHS

Parameter

WATTAGE	100/150/200/240/300/400/480W
LIGHT SOURCE	LUMILEDS
DRIVER	MEANWELL
LAMP LUMINOUS FLUX	140LM/W±5%(100/150/200/240W) 145LM/W±5%(300/400/480W)
CRI	Ra>70/80
CCT	2700-6500K
RATED VOLTAGE	AC 90-305V, 50/60Hz
POWER FACTOR	>0.95
BEAM ANGLE	60°/120°(100/150/200/240W) 30°/60°/90°/120°(300/400/480W)
IP GRADE	IP65
HEAT-SINK	ALUMINIUM COOLING FIN ALUMINIUM RIVET
OPERATING TEMP	-40°C~60°C



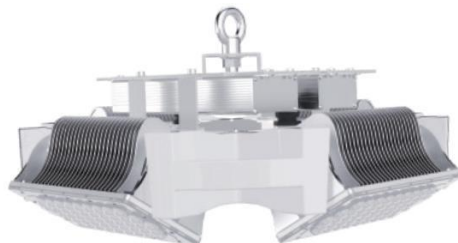
100W
14,000LM
4.5kg±5%
192PCS LED
429×429×159mm

150W
21,000LM
4.5kg±5%
288PCS LED
429×429×159mm



200W
28,000LM
5.3kg±5%
384PCS LED
429×429×159mm

240W
33,600LM
5.3kg±5%
480PCS LED
429×429×159mm



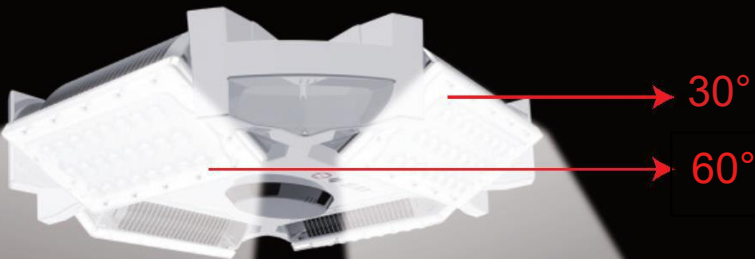
300W
43,500LM
7.1kg±5%
112PCS LED
429×429×225mm

400W
58,000LM
7.4kg±5%
144PCS LED
429×429×225mm

480W
69,600LM
7.4kg±5%
192PCS LED
429×429×225mm

Professional Light Distribution

Multiple optical lens choices are available with angles including 30°/60°/90°/120° to meet the requirements for professional light distribution and an extensive scope of applications.



- Ultralight
- Module Rotatable 200°
- High Luminous Flux
- Installation & Maintenance Friendly

Build-In sensor

- Microwave Sensor
- Microwave Sensor Dimming
- Dimming Remote Control Microwave Sensor



Original Design Heat-Sink



Aluminium Rivet

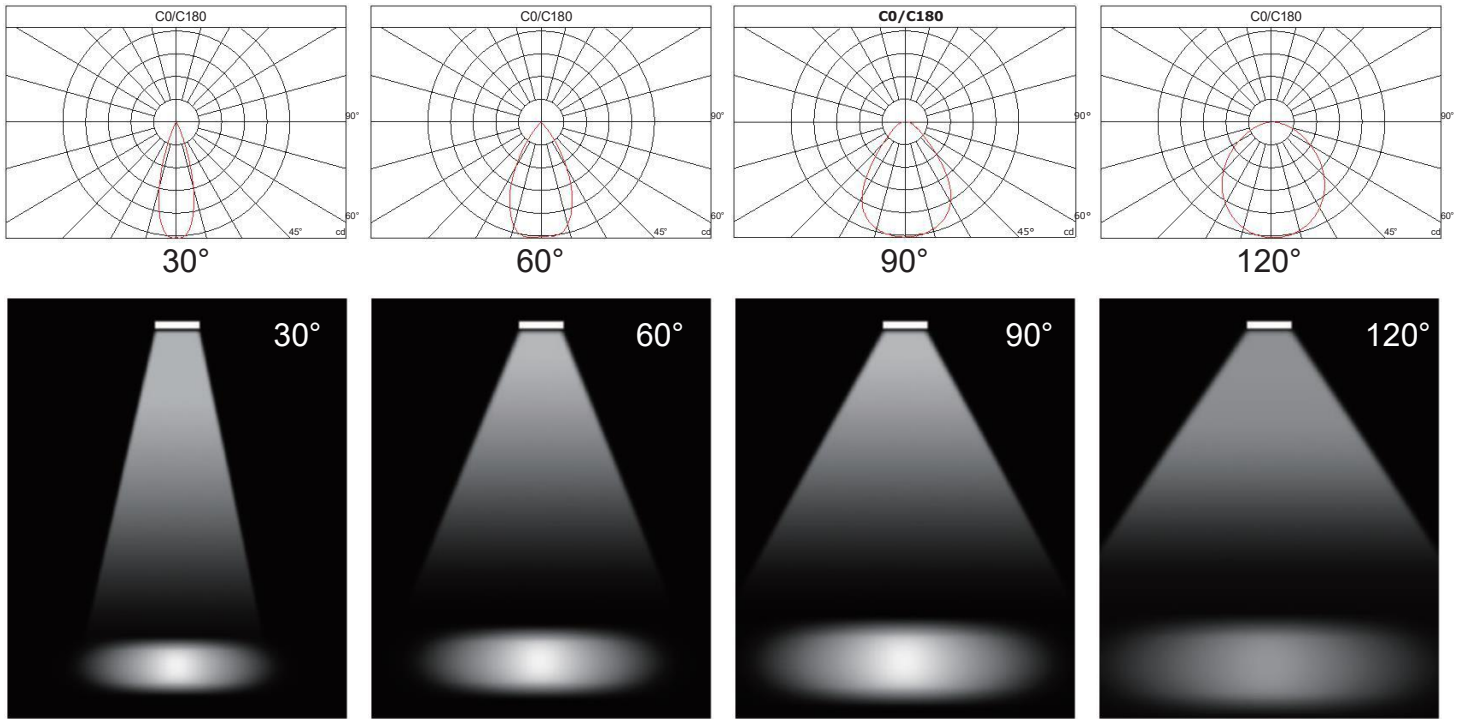


Aluminium Cooling Fin

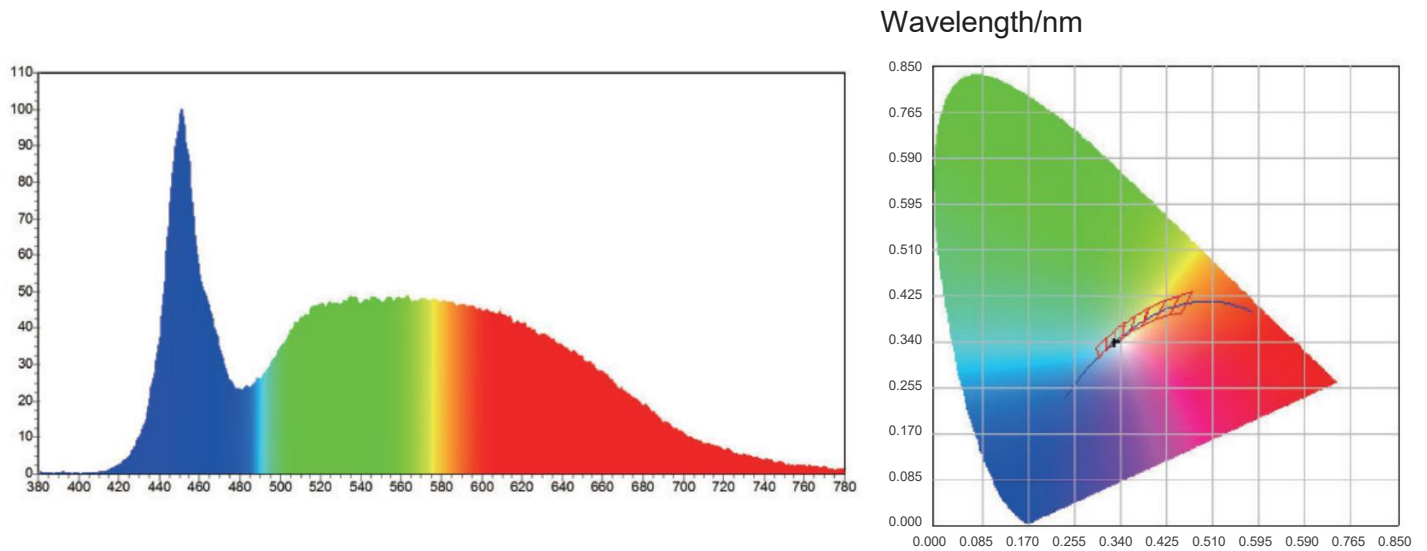


Aluminium Cooling Fin

Light Distribution Curve

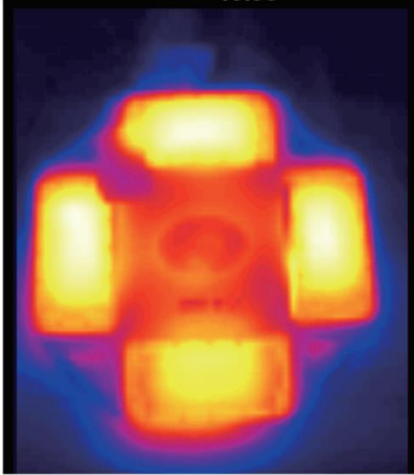


Intergrating sphere test report CO-4BAY-200W-5000K

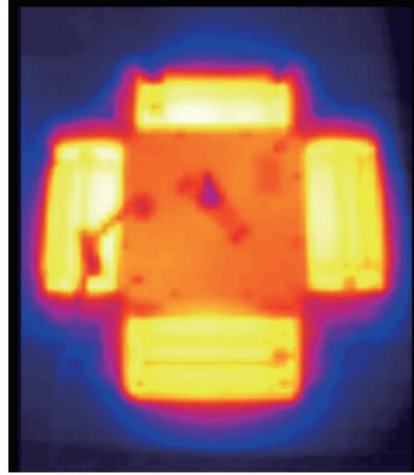


Spectrum		Electrical					
WD:	548.0 nm	I(test):	950.0 mA				
WP:	451.3 nm	V:	220.40 V				
HW:	21.0 nm	Flux:	29627.027 lm				
R%:	30.9	P:	144.805 lm/w				
G%:	41.2	P:	204.600 w				
B%:	27.9	PF:	0.9730				
CIE(x,y):	0.3321 , 0.3434	R1:	90.0	R2:	91.9	R3:	87.0
CIE(u,v):	0.2058 , 0.3191	R4:	90.4	R5:	89.5	R6:	87.6
Ra:	85.7	R7:	88.2	R8:	84.2	R9:	53.2
DUV:	0.0013	R10:	79.9	R11:	89.6	R12:	62.1
CCT:	5516 K	R13:	90.6	R14:	90.6	R15:	88.2

Temperature Rising Report



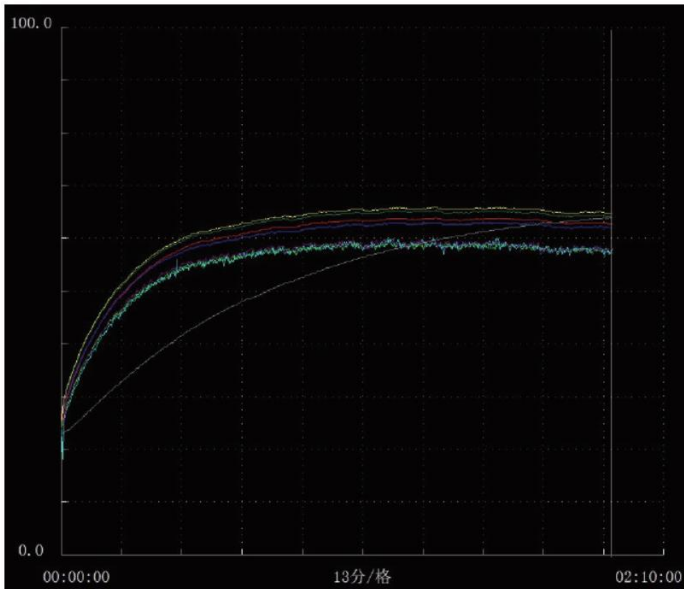
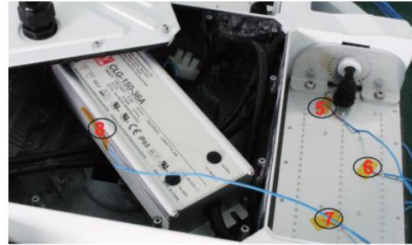
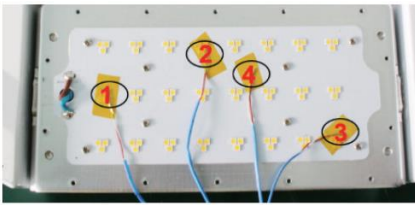
Luminous surface



Back



Overlook



- █ CH1 TJ
- █ CH2 TJ
- █ CH3 TJ
- █ CH4 PCB Board
- █ CH5 Heat Sink
- █ CH6 Heat Sink
- █ CH7 Heat Sink
- █ CH8 LED Driver

TIME(min)	0:00:00	0:30:00	1:00:00	1:30:00	2:00:00
CH1 TJ	24.2	59.4	63.2	63.8	62.6
CH2 TJ	24.2	61	64.6	65	63.9
CH3 TJ	24.1	58.7	62.3	63.1	61.8
CH4 PCB Board	24.1	61.4	65.1	65.8	64.6
CH5 Heat Sink	24	55.8	59	58.3	56.1
CH6 Heat Sink	24.1	55.3	59.3	58.4	57
CH7 Heat Sink	24	55.9	59.1	59.1	56.5
CH8 LED Driver	23.2	43.8	55.1	61.2	64.1

Test



Salt Spray Test

The heat sink processed by oxidization and powder spraying so that it has good corrosion resistance.



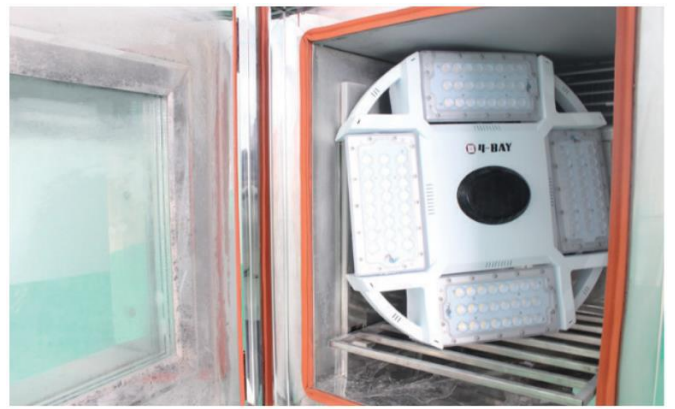
UV Aging Test

The test time is about 1440 hours. After test the lamp working regularly , no discoloration appearance , no yellowing of the pc lens , no rust of the support.



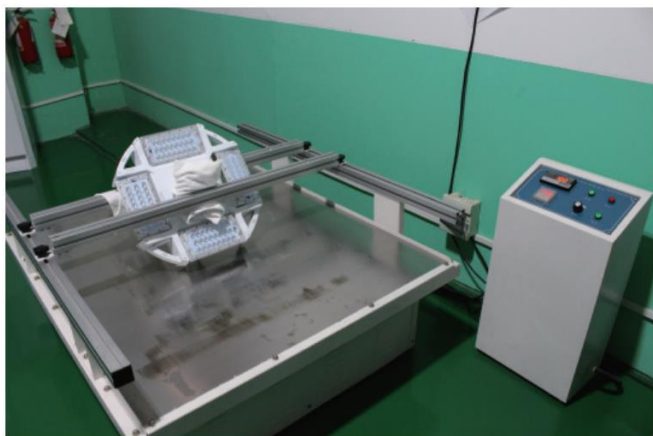
Aging Test

Turn on the lamps more than 12 hours, check whether the chips are damaged in the assembly process and whether the drivers are stable in high temperature environment.



High-Low Temperature Test

The Test equipment opening 2hours, keeping temperature<-40°C, the lamp working fine. The Test equipment opening 4hours, keeping temperature>60°C, the lamp keep working fine.



Vibration Test

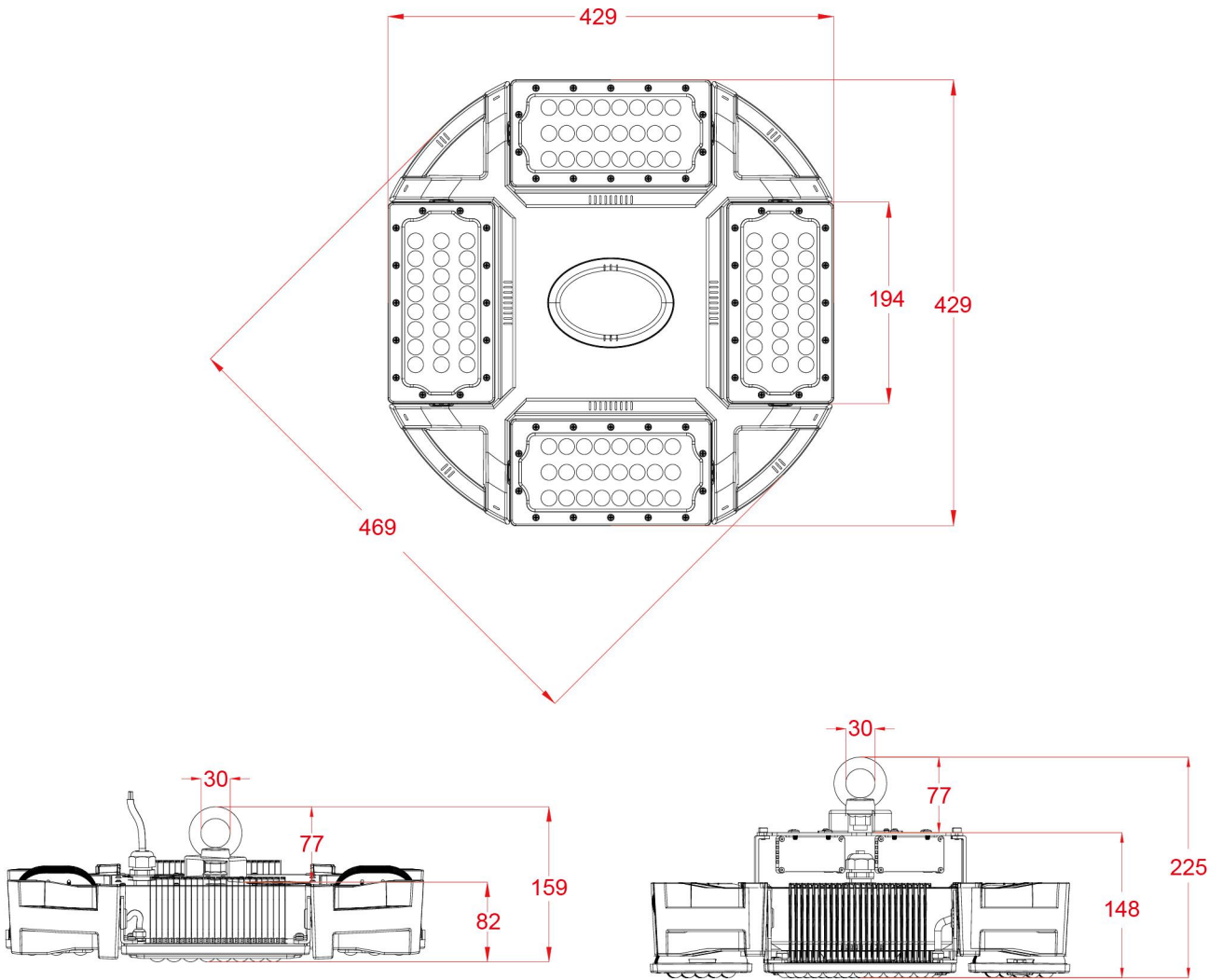
Vibration test is a simulation of various vibration condition including Transportation, Installation and Using , to ensure whether products can withstand or not.



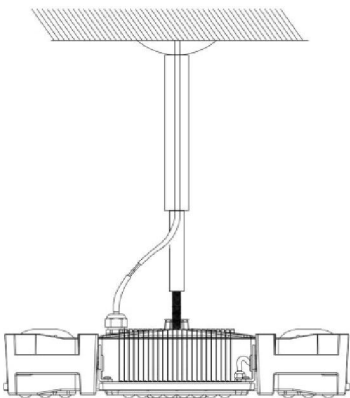
Withstand Voltage Test

Testing whether the withstand voltage is within the specified value, to avoid sudden voltage surges such as short circuit, operation error, fault, etc, causing breakdown or accidents.

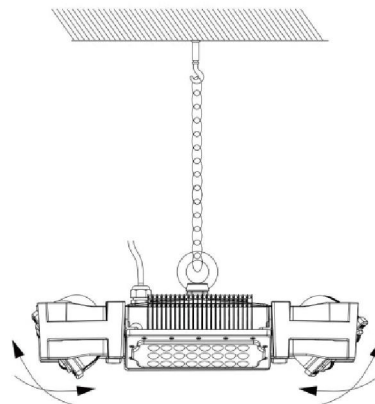
Size



Extension aluminium pole



Iron chain



Application



Packaging



Model	Size of Box	Weight of Carton	Size of Carton	Gross Weight of Carton	PCS /Carton
CO-4BAY-100W	47*46*15cm	5.3KG	50*49*66cm	22.7KG	4
CO-4BAY-150W	47*46*15cm	5.3KG	50*49*66cm	22.7KG	4
CO-4BAY-200W	47*46*15cm	6.1KG	50*49*66cm	26.4KG	4
CO-4BAY-240W	47*46*15cm	6.1KG	50*49*66cm	26.5KG	4
CO-4BAY-300W	49*47*25cm	8.4KG	50*48*52cm	18.2KG	2
CO-4BAY-400W	49*47*25cm	8.8KG	50*48*52cm	18.9KG	2
CO-4BAY-480W	49*47*25cm	8.8KG	50*48*52cm	18.9KG	2

G-COMIN

SHENZHEN COMING TECHNOLOGY CO.,LTD

T: +86-755-28462760

E: info@co-ming.com

www.co-ming.com

Add: Coming Industrial Park Longgang District
Shenzhen China