

# A310

## 4MP Mini Bullet with D/N, Adaptive IR, Extreme WDR, SLLS, Fixed Lens



- 4 Megapixel
- Day & Night with Superior Low Light Sensitivity and Adaptive IR LED
- Fixed Lens with f2.8mm/F1.6
- Extreme WDR
- H.265 Compression
- Super wide angle
- Event trigger, response and notification

### ► Specifications

#### Device

Product Type	Mini Bullet
Maximum Resolution	4MP
Application Environment	Outdoor
Image Sensor	Progressive Scan CMOS
Sensor Size	1/2.7 "
Day / Night	Yes
Low Light Sensitivity	Superior
Minimum Illumination	Color: 0.01 lux; B/W: 0 lux (IR LED on)
Mechanical IR Cut Filter	Yes
IR LED	Adaptive IR LED (850 nm)
IR Working Distance	45m
Electronic Shutter	1/3-1/100000second (auto mode)

#### Lens

Focal Length	Fixed focal, f2.8mm
Aperture	F1.6

Iris	Fixed iris
Focus	Fixed focus
Lens Mount	Board mount
Horizontal Viewing Angle	103°
Vertical Viewing Angle	58°

**Video**

Compression	H.265, H.264, MJPEG
Maximum Frame Rate vs. Resolution	30 fps at 2688 x 1520 30 fps at 2560 x 1440 30 fps at 2304 x 1296 30 fps at 1920 x 1080 30 fps at 1280 x 720 30 fps at 640 x 480 30 fps at 640 x 360 30 fps at 320 x 240
Multi-Streaming	Simultaneous quad streams
Bit Rate	32Kbps - 16Mbps (per stream)
Wide Dynamic Range	Extreme WDR (150 dB)
Image Enhancement	White Balance, Brightness, Contrast, Sharpness, Backlight compensation
Digital Noise Reduction	3D DNR
Built-in Analytics	Tampering Detection, Object Line Crossing Detection, Object Enter Area Detection, Object Loitering Detection
Image Orientation	Rotation

**Audio**

Audio Type	2-way, Line-in, Mic-in, Line-out
Audio Compression	G.711, G.722.1, G.726, MP2L2

**Network**

Network Protocol & Service	IPv4/v6, TCP, UDP, DHCP, PPPoE, HTTP, HTTPS, DNS, DDNS, NTP, RTP, RSTP, RTCP, SMTP, FTP, IGMP, ICMP, Bonjour, UPnP, QoS, SNMP, IEEE 802.1X
Ethernet Port	1, Ethernet (10/100 Base-T), RJ-45 connector

**Event**

Event Trigger	Video motion detection, Tampering detection, Disk full, Disk not found,
---------------	---

**Integration**

ONVIF Compliant	Yes, Profile S, Profile G
-----------------	---------------------------

**Interface**

Local Storage	MicroSD, MicroSDHC, MicroSDXC Memory Card Slot (card not included, up to 128GB)
---------------	---

**General**

Power Source	DC 12V, PoE Class 3 (IEEE802.3af)
Power Consumption	6 W (DC), 7.5 W (PoE)
Weight	420g (0.9lb)
Dimensions	(Ø x L): 70mm x 155.03mm (2.8" x 6.1")
Environmental Casing	Weatherproof (IP67)
Operating Temperature	-30°C ~ 60°C (-22°F ~ 140°F)

Warranty

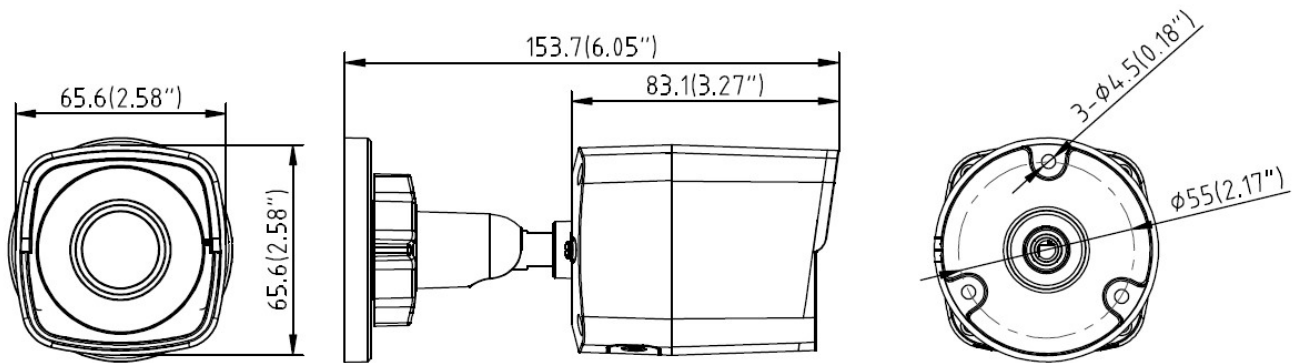
3 Year(s)

### ▶ Photo Indication



- 1 Ethernet Port
- 2 DC 12V Power Input
- 3 Reset Button
- 4 Memory Card Slot

### ▶ Dimension Diagram



Unit: mm [inch]