

A311

6MP Mini Bullet with D/N, Adaptive IR, Superior WDR, SLLS, Fixed Lens



- 6 Megapixel
- Day & Night with Superior Low Light Sensitivity and Adaptive IR LED
- Fixed Lens with f2.8mm/F2.0
- Superior WDR
- H.265 Compression
- Wide Angle

► Specifications

Device

Product Type	Mini Bullet
Maximum Resolution	6MP
Application Environment	Outdoor
Image Sensor	Progressive Scan CMOS
Sensor Size	1/2.7 "
Day / Night	Yes
Low Light Sensitivity	Superior
Minimum Illumination	Color: 0.01 lux; B/W: 0 lux (IR LED on)
Mechanical IR Cut Filter	Yes
IR LED	Adaptive IR LED (850 nm)
IR Working Distance	45m
Electronic Shutter	1/3-1/100000second (auto mode)

Lens

Focal Length	Fixed focal, f2.8mm
Aperture	F2.0

Iris	Fixed iris
Focus	Fixed focus
Lens Mount	Board mount
Horizontal Viewing Angle	97°
Vertical Viewing Angle	63°

Video

Compression	H.265, H.264, MJPEG
Maximum Frame Rate vs. Resolution	20 fps at 3072 x 2048 20 fps at 3072 x 1728 20 fps at 2944 x 1656 30 fps at 2560 x 1440 30 fps at 1920 x 1080 30 fps at 1280 x 720 30 fps at 640 x 480 30 fps at 640 x 360 30 fps at 320 x 240 30 fps at 352 x 240
Multi-Streaming	Simultaneous quad streams
Bit Rate	32Kbps - 16Mbps (per stream)
Wide Dynamic Range	Superior WDR (120 dB)
Image Enhancement	White Balance, Backlight compensation, Saturation, Brightness, Contrast, Sharpness
Digital Noise Reduction	3D DNR
Privacy Mask	Yes
Built-in Analytics	Tampering Detection, Object Line Crossing Detection, Object Enter Area Detection, Object Loitering Detection

Integration

ONVIF Compliant	Yes, Profile S, Profile G
-----------------	---------------------------

Interface

Local Storage	MicroSD, MicroSDHC, MicroSDXC Memory Card Slot (card not included, up to 128GB)
---------------	---

General

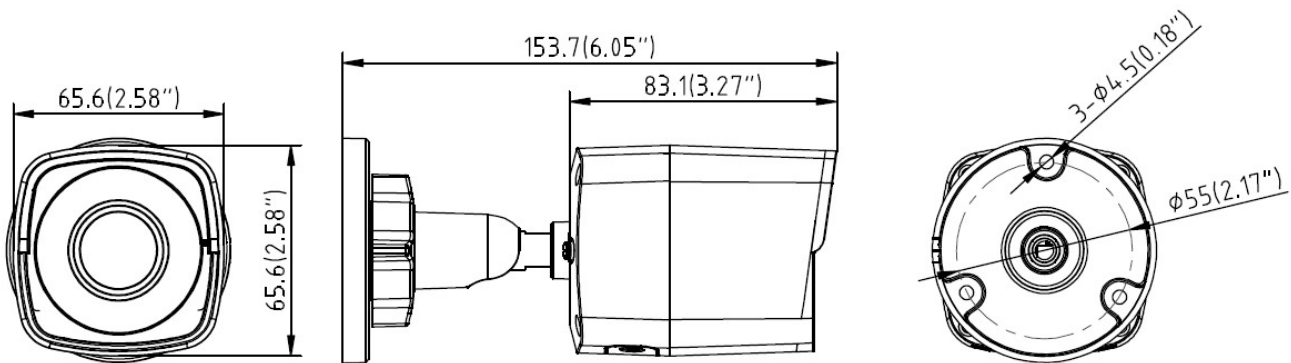
Power Source	DC 12V, PoE Class 3 (IEEE802.3af)
Power Consumption	6 W (DC), 7.5 W (PoE)
Weight	410g (0.9lb)
Dimensions	(Ø x L): 70mm x 155mm (2.8" x 6.1")
Environmental Casing	Weatherproof (IP67)
Operating Temperature	-30°C ~ 60°C (-22°F ~ 140°F)
Warranty	3 Year(s)

▶ Photo Indication



- 1 Ethernet Port
- 2 DC 12V Power Input
- 3 Reset Button
- 4 Memory Card Slot

▶ Dimension Diagram



Unit: mm [inch]