

PRODUCT



MEGA FLOOD LIGHT
T600 SERIES
240W/300W



ULTRA FLOOD LIGHT
T500 SERIES
480W-1440W



LED FLOOD LIGHT
T400 SERIES
60W-600W



LED BULKHEAD LIGHT
B300 SERIES
30W/50W



LED HIGHBAY LIGHT
HALO SERIES
50W-240W



LED HIGHBAY LIGHT
4BAY SERIES
100W-480W



LED POST TOP LIGHT
HALO-L SERIES
50W-240W



LED STREET LIGHT
T400L SERIES/
L300 SERIES

G-COMIN

Innovative LED Light Manufacturer



SHENZHEN COMING TECHNOLOGY CO., LTD

+86-755-28462760
info@co-ming.com
www.co-ming.com

Coming Industrial Park
Longgang District
Shenzhen China

Mega Flood Light T600



CO-T600-240W

170LM/W±5%
40,800LM±5%
5.5kg±5%

CO-T600-300W

160LM/W±5%
48,000LM±5%
6.0kg±5%



Specifications

WATTAGE	240/300W
CRI	Ra>70/80
CCT	2700-6500K
RATED VOLTAGE	AC 100-240V 277V~, 50/60Hz
POWER FACTOR	>0.95
IP GRADE	IP66
IK GRADE	IK10
BEAM ANGLE	30°/60°/90°, Asymmetric G4
OPERATING TEMP	-40°C~55°C
SIZE	344x184x238mm

Accessories



Laser Pointer

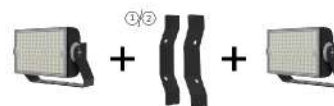


Lightning Arrester
(20KV)

Single Module 240W, 300W



Two Modules 480W, 540W, 600W



Three Modules 720W, 780W, 840W, 900W

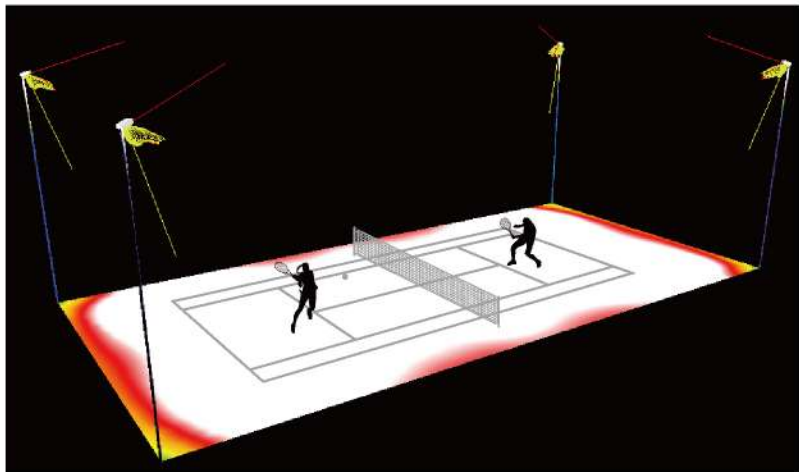


| Feature

360°
Module rotatable



Curve screw hole,
easy adjustment.



► Asymmetrical G4 light distribution, especially for tennis court project.



170LM/W

A standard tennis court requires only 4pcs CO-T600 to achieve the uniformity of 0.85 or more.

Ultra Flood Light T500



CO-T500-480W

79,200LM±5%
12.0kg±5%
536×165×579mm



CO-T500-720W

118,800LM±5%
16.0kg±5%
691×202×579mm



CO-T500-960W

158,400LM±5%
19.6kg±5%
846×202×579mm



CO-T500-1200W

198,000LM±5%
24.0kg±5%
1001×277×579mm



CO-T500-1440W

237,600LM±5%
28.0kg±5%
1156×277×579mm

Specifications

WATTAGE	480/720/960/1200/1440W
DRIVER	MEANWELL
CRI	Ra>70/80
CCT	2700-6500K
RATED VOLTAGE	AC 100-240V 277V~, 50/60Hz
POWER FACTOR	>0.95
IP GRADE	IP66
HEAT-SINK	ALUMINIUM COOLING FIN
OPERATING TEMP	-40°C~60°C

LAMP EFFICIENCY	BEAM ANGLE	LED SOURCE	LED QUANTITY
165LM/W±5%	60°/90°/120°	LUMILEDS	62LEDS EACH MODULE
155LM/W±5%	30°	LUMILEDS	62LEDS EACH MODULE
120LM/W±5%	10°	CREE	60LEDS EACH MODULE

Detail Pictures



Optional Laser Pointer Device

Double Bracket

Rotatable Module Design



165LM/W

There are more than 50,000 stadiums in the world. Those sports fields not illuminated by G-COMIN provide us with our mission incentive.

LED Flood Light T400

CO-T400A-100W

16,000LM±5%
2.9kg±5%
48PCS LED
291×102×266mm



CO-T400B-60W

9,600LM±5%
2.4kg±5%
24PCS LED
291×102×266mm

CO-T400A-200W

32,000LM±5%
4.2kg±5%
96PCS LED
291×219×334mm



CO-T400B-120W

19,200LM±5%
3.8kg±5%
48PCS LED
291×219×334mm

CO-T400A-300W

48,000LM±5%
5.6kg±5%
144PCS LED
291×340×324mm



CO-T400B-180W

28,800LM±5%
4.7kg±5%
72PCS LED
291×340×324mm

CO-T400A-400W

64,000LM±5%
7.4kg±5%
192PCS LED
485×219×334mm



CO-T400B-240W

38,400LM±5%
5.9kg±5%
96PCS LED
485×219×334mm

CO-T400A-600W

96,000LM±5%
10.3kg±5%
288PCS LED
485×340×324mm



CO-T400B-360W

57,600LM±5%
8.6kg±5%
144PCS LED
485×340×324mm

Specifications

WATTAGE	60/120/180/240/360W 100/200/300/400/600W
DRIVER	MEANWELL
CRI	Ra>70/80
CCT	2700-6500K
RATED VOLTAGE	AC 100-240V 277V~, 50/60Hz
POWER FACTOR	>0.95
IP GRADE	IP65
HEAT-SINK	ALUMINIUM COOLING FIN
OPERATING TEMP	-40°C~60°C

	60°/90°/120°	30°	10°
	LUMILEDS	LUMILEDS	CREE
T400A	160LM/W±5%	150LM/W±5%	120LM/W±5%
	48LEDS EACH MODULE		
T400B	160LM/W±5%	150LM/W±5%	120LM/W±5%
	24LEDS EACH MODULE		

Contrast



T400A

VS

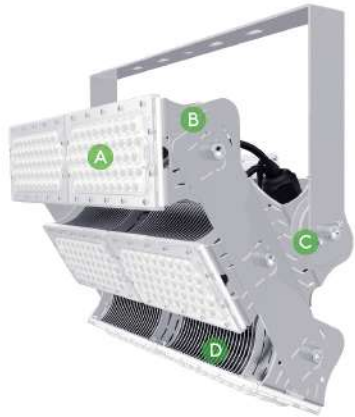
T400B



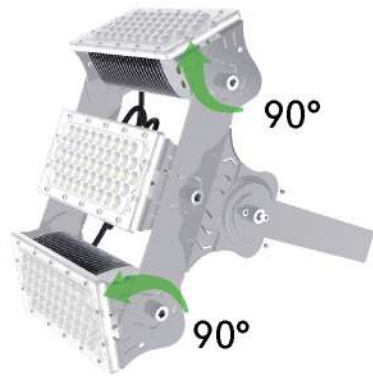
LED Quantity

Heat-Sink

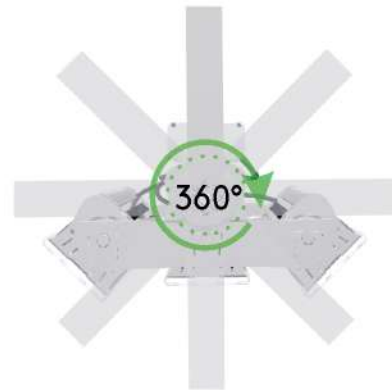
Feature



Adjustable Function



Rotatable Module



360° Rotatable Holder



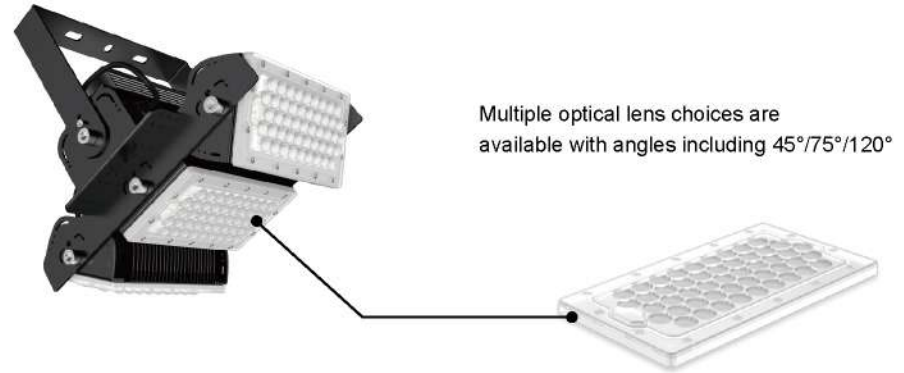
160LM/W

This 97m tower was every inch the pride of its creators and we've made it even more elegant.

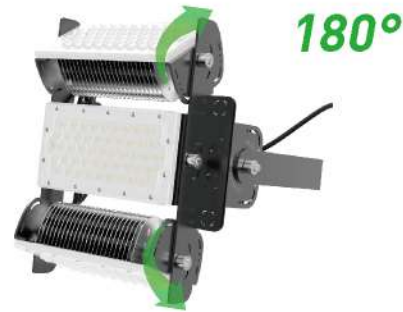
LED Flood Light T300A



WATTAGE	75/150/240W
DRIVER	MEANWELL
LAMP EFFICIENCY	140LM/W±5%
LIGHT SOURCE	LUMILEDS
CRI	Ra>70/80
CCT	2700-6500K
RATED VOLTAGE	AC 100-240V 277V~, 50/60Hz
POWER FACTOR	>0.95
BEAM ANGLE	45°/75°/120°
IP GRADE	IP65
HEAT SINK	ALUMINIUM COOLING FIN
OPERATING TEMP	-40°C~60°C



Rotatable module



Module rotatable 180°



Arc bracket rotatable 360°



CO-T300A-75W

10,500LM±5%
2.1kg±5%
96PCS LED
237×102×162mm



CO-T300A-150W

21,000LM±5%
3.5kg±5%
192PCS LED
295×210×274mm



CO-T300A-240W

33,600LM±5%
5.0kg±5%
288PCS LED
295×319×274mm

Feature



◀ Bracket scale

Module scale ▶



Highbay Light HALO



CO-HALO-50W

8,000LM±5%
3.2kg±5%
Ø380x63mm

CO-HALO-80W

12,800LM±5%
3.6kg±5%
Ø380x63mm

CO-HALO-100W

16,000LM±5%
3.8kg±5%
Ø380x63mm

CO-HALO-150W

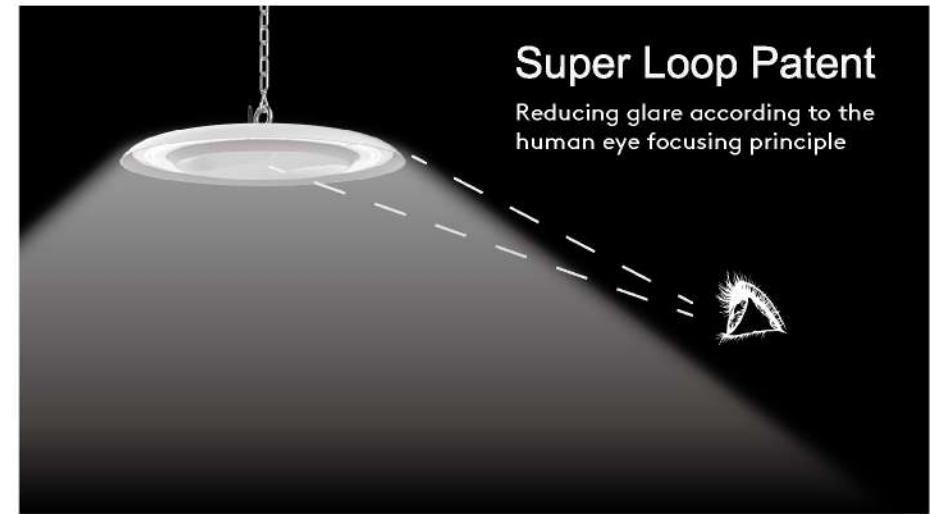
24,000LM±5%
3.8kg±5%
Ø380x63mm

CO-HALO-200W

32,000LM±5%
5.6kg±5%
Ø500x68mm

CO-HALO-240W

38,400LM±5%
5.6kg±5%
Ø500x68mm



Specifications

WATTAGE	50/80/100/150/200/240W
DRIVER	MEANWELL
LAMP EFFICIENCY	160LM/W±5%
LIGHT SOURCE	LUMILEDS
CRI	Ra>70/80
CCT	2700-6500K
RATED VOLTAGE	AC 100-240V 277V~, 50/60Hz
POWER FACTOR	>0.95
BEAM ANGLE	60°/90°/120°
IP GRADE	IP66
IK GRADE	IK10
OPERATING TEMP	-40°C~55°C



► IP66 & nano-coating, minimize maintenance cost.

► Compact curved surface design, too smooth to gather dirt.



Food Processing Light HALO-F



CO-HALO-F50W

8,000LM±5%
3.2kg±5%
Ø380x63mm

CO-HALO-F80W

12,800LM±5%
3.6kg±5%
Ø380x63mm

CO-HALO-F100W

16,000LM±5%
3.8kg±5%
Ø380x63mm

CO-HALO-F150W

24,000LM±5%
3.8kg±5%
Ø380x63mm

CO-HALO-F200W

32,000LM±5%
5.6kg±5%
Ø500x68mm

CO-HALO-F240W

38,400LM±5%
5.6kg±5%
Ø500x68mm

Specifications

WATTAGE	50/80/100/150/200/240W
DRIVER	MEANWELL
LAMP EFFICIENCY	160LM/W±5%
LIGHT SOURCE	LUMILEDS
CRI	Ra>70/80
CCT	2700-6500K
RATED VOLTAGE	AC 100-240V 277V~, 50/60Hz
POWER FACTOR	>0.95
BEAM ANGLE	60°/90°/120°
IP GRADE	IP69K
IK GRADE	IK10
OPERATING TEMP	-40°C~55°C



Safety guarantee

No toxic chemicals - NSF+LFGB+ROHS approved.

No water/steam/dust ingress - **IP69K** protection.

No dangerous parts - PC lens & integrated design, prevent parts from falling even under impact.

LED Highbay Light 4BAY



WATTAGE	100/150/200/240/300/400/480W
DRIVER	MEANWELL
LAMP EFFICIENCY	150LM/W±5%
LIGHT SOURCE	LUMILEDS
CRI	R _a >70/80
CCT	2700-6500K
RATED VOLTAGE	AC 100-240V 277V~, 50/60Hz
POWER FACTOR	>0.95
BEAM ANGLE	60°/120°(100/150/200/240W) 30°/60°/90°/120°(300/400/480W)
IP GRADE	IP65
HEAT SINK	ALUMINIUM COOLING FIN ALUMINIUM RIVET
OPERATING TEMP	-40°C~60°C

Feature



- Ultralight
- Module Adjustable Toolless
- Module Rotatable 200°



CO-4BAY-100W

15,000LM±5%
4.5kg±5%
192PCS LED
429×429×159mm

CO-4BAY-150W

22,500LM±5%
4.5kg±5%
288PCS LED
429×429×159mm



CO-4BAY-200W

30,000LM±5%
5.3kg±5%
384PCS LED
429×429×159mm

CO-4BAY-240W

36,000LM±5%
5.3kg±5%
480PCS LED
429×429×159mm



CO-4BAY-300W

45,000LM±5%
7.1kg±5%
112PCS LED
429×429×225mm

CO-4BAY-400W

60,000LM±5%
7.4kg±5%
144PCS LED
429×429×225mm

CO-4BAY-480W

72,000LM±5%
7.4kg±5%
192PCS LED
429×429×225mm

- Build-In Sensor Available
- High Luminous Flux
- Installation & Maintenance Friendly



Original Design Heat-Sink



100/150W
Aluminium Rivet



200/240W
Aluminium Cooling Fin



300/400/480W
Aluminium Cooling Fin

LED Post Top Light HALO-L



WATTAGE	50/80/100/150/200/240W
DRIVER	MEANWELL
LAMP EFFICIENCY	160LM/W±5%
LIGHT SOURCE	LUMILEDS
CRI	Ra>70/80
CCT	2700-6500K
RATED VOLTAGE	AC 100-240V 277V~, 50/60Hz
POWER FACTOR	>0.95
BEAM ANGLE	60°/90°/120°
IP GRADE	IP66
IK GRADE	IK10
OPERATING TEMP	-40°C~60°C
SPIGOT DIAMETER	60/80mm

CO-HALO-L50W

8,000LM±5%
3.6kg±5%
Ø380x162mm

CO-HALO-L80W

12,800LM±5%
4.0kg±5%
Ø380x162mm

CO-HALO-L100W

16,000LM±5%
4.1kg±5%
Ø380x162mm

CO-HALO-L150W

24,000LM±5%
4.2kg±5%
Ø380x162mm

CO-HALO-L200W

32,000LM±5%
6.0kg±5%
Ø500x168mm

CO-HALO-L240W

38,400LM±5%
6.0kg±5%
Ø500x168mm

Unique appearance, stylish decoration for your public space.

Annular luminous surface, efficient and comfortable lighting.

All aluminium body resists corrosion and ages well.

Smooth curve surface gathers no dirt/leaf/snow/ice, self-cleaning with the assistants of wind and rain.

IP66 & IK10

LED Street Light L300



CO-L300-60W

7,800LM±5%
3.7kg±5%
72PCS LED
81×271×437.5mm



CO-L300-120W

15,600LM±5%
4.9kg±5%
144PCS LED
81×271×547.5mm



CO-L300-180W

23,400LM±5%
5.8kg±5%
216PCS LED
81×271×657.5mm



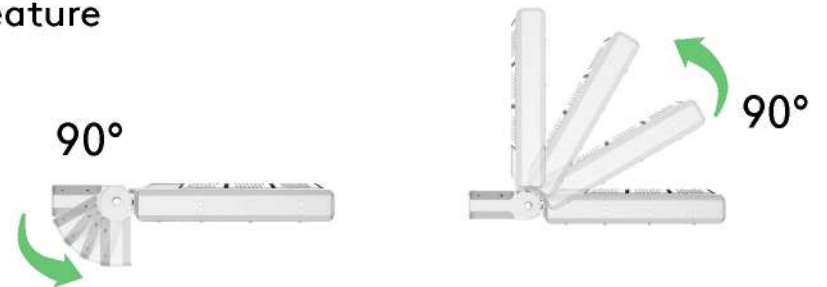
CO-L300-240W

31,200LM±5%
6.8kg±5%
288PCS LED
81×271×767.5mm

Specifications

WATTAGE	60/120/180/240W
LIGHT SOURCE	LUMILEDS
LED QUANTITY	72 LEDS EACH MODULE
DRIVER	MEANWELL
LAMP EFFICIENCY	130LM/W±5%
CRI	R _a >70/80
CCT	2700-6500K
RATED VOLTAGE	AC 100-240V 277V~, 50/60Hz
POWER FACTOR	>0.95
BEAM ANGLE	X-135°,Y-65°
IP GRADE	IP66
HEAT-SINK	ALUMINIUM COOLING FIN
OPERATING TEMP	-40°C~60°C
SPIGOT DIAMETER	64mm

Feature



Adjustable high strength bracket to suit various pole types and diameters.



Each module is rotatable allowing easy adjustment to suit different road widths.

LED Street Light T400L



CO-T400L-120W

19,200LM±5%
4.4kg±5%
48PCS LED
478×220×169mm

CO-T400L-200W

32,000LM±5%
4.6kg±5%
96PCS LED
478×220×169mm



CO-T400L-180W

28,800LM±5%
5.5kg±5%
72PCS LED
478×338×169mm

CO-T400L-300W

48,000LM±5%
6.3kg±5%
144PCS LED
478×338×169mm



CO-T400L-240W

38,400LM±5%
6.2kg±5%
96PCS LED
670×221×205mm

CO-T400L-400W

64,000LM±5%
7.8kg±5%
192PCS LED
670×221×205mm

LED Street Light L307



CO-L307-30W

3,900LM±5%
1.35kg±5%
40PCS LED
307×124×99mm



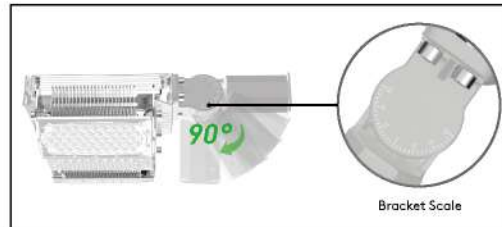
CO-L307-40W

4,800LM±5%
1.35kg±5%
40PCS LED
307×124×99mm

Specifications

LAMP EFFICIENCY	LIGHT SOURCE	DRIVER	CRI
160LM/W±5% (60°/90°/120°) 150LM/W±5% (30°) 120LM/W±5% (10°)	LUMILEDS	MEANWELL	Ra>70/80
CCT	RATED VOLTAGE	POWER FACTOR	BEAM ANGLE
2700-6500K	AC 100-240V 277V~, 50/60Hz	>0.95	10°/30°/60°/90°/120°
IP GRADE	HEAT-SINK	OPERATING TEMP	SPIGOT DIAMETER
IP65	ALUMINIUM COOLING FIN	-40°C~60°C	60mm

Feature



WATTAGE

LIGHT SOURCE

LED QUANTITY

DRIVER

LAMP LUMINOUS FLUX

CRI

CCT

RATED VOLTAGE

POWER FACTOR

BEAM ANGLE

IP GRADE

HEAT-SINK

OPERATING TEMP

30/40W

LUMILEDS

40 LEDS EACH MODULE

MEANWELL

120-130LM/W±5%

Ra>80

2700-6500K

AC 90-305V, 50/60Hz

>0.95

X-120°,Y-60°

IP65

ALUMINIUM COOLING FIN

-40°C~60°C

LED Bulkhead Light B300



CO-B300-30W

4,500LM±5%
1.15kg±5%
250x107.4x84mm

CO-B300-50W

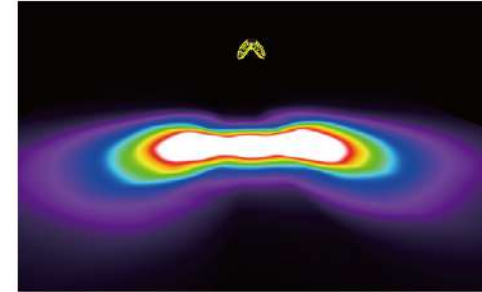
7,500LM±5%
1.20kg±5%
250x107.4x84mm

Specifications

WATTAGE	30/50W
LAMP LUMINOUS FLUX	150LM/W±5%
CRI	Ra>70/80
CCT	2700-6500K
RATED VOLTAGE	AC 100-240V 277V~, 50/60Hz
POWER FACTOR	>0.95
IP GRADE	IP66
IK GRADE	IK10
BEAM ANGLE	Asymmetric G5
OPERATING TEMP	-40°C~55°C

Light Distribution

Asymmetric G5



Mining Industry



Conveyor Belt



Installation



Ceiling installation



Wall mounting



Suspension installation

G Track



► Magnetic Suction



30pcs LEDs Each Module
Beam Angle: 120°

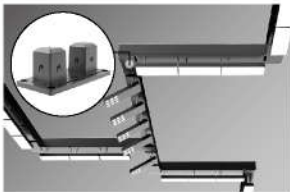


9pcs LEDs Each Module
Beam Angle: 30°

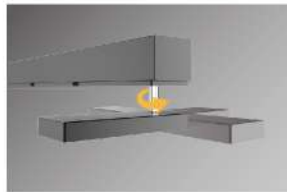
Specifications

WATTAGE	LAMP LUMINOUS FLUX	MATERIALS	CRI
15W	1500-1600LM	ALUMINIUM	Ra>80/90
CCT	RATED VOLTAGE	POWER FACTOR	OPERATING TEMP
2700-6500K	AC 220-240V 50/60Hz	>0.95	-30°C~40°C

Feature



Connect without wiring,
just plug in.

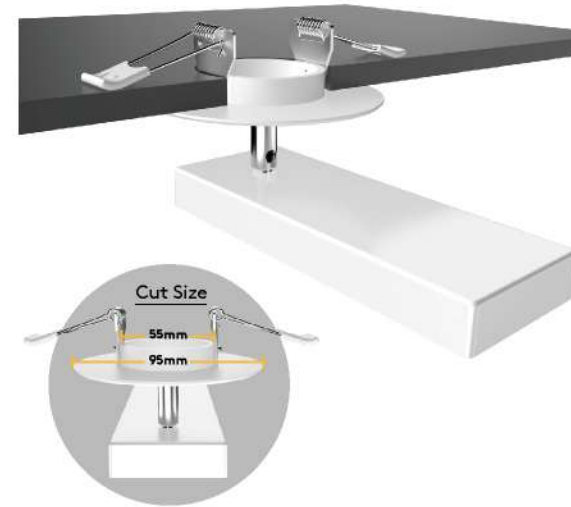


360°
Horizontally Adjustable



90°
Vertically Adjustable

G Track Down Light



30pcs LEDs Each Module
Beam Angle: 120°

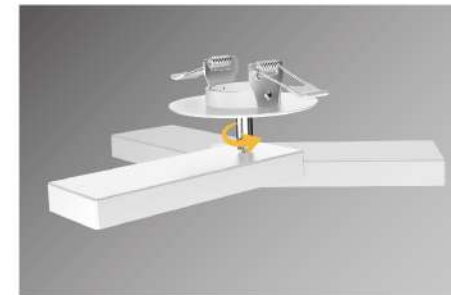


9pcs LEDs Each Module
Beam Angle: 30°

Specifications

WATTAGE	LAMP LUMINOUS FLUX	MATERIALS	CRI
15W	1500-1600LM	ALUMINIUM	Ra>80/90
CCT	RATED VOLTAGE	POWER FACTOR	OPERATING TEMP
2700-6500K	AC 220-240V 50/60Hz	>0.95	-30°C~40°C

Adjustable Module



360° Horizontally Adjustable



90° Vertically Adjustable



About Company

Since 2011 Shenzhen Coming Technology Co., Ltd has specialised in the design and manufacture of innovative LED lighting products and associated services. In addition to unique and high quality products we also provide professional support for all our products to ensure our customers make the most of our capabilities, including:

Highbay light | Flood light | Street light | Down light | Track light | Bulkhead light | Post top light
OEM/ODM service | Project solutions | Dialux simulation

We always value comments from our customers. For further information please contact us on info@co-ming.com.



PROJECT GALLERY

Factory
Metallurgical
Factory



Warehouse
Bank



Warehouse
Industrial
Park



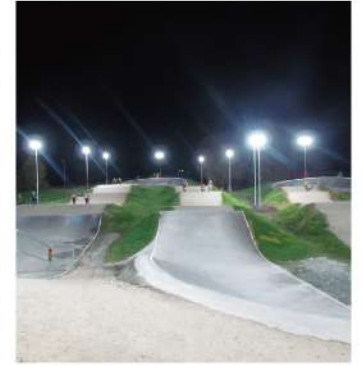
Power Station
Factory



Football Field ▶



▲ Workshop



▲ BMX Track

Billboard ▶



▲ Architecture Lighting



▲ Hotel

Warehouse ▶



▲ Race Course



▲ Tennis Court



▲ Warehouse



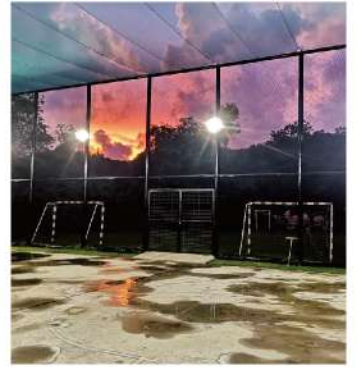
▲ Football Field



▲ Port



▲ Basketball Court



▲ MUGAs



▲ Tennis Court



▲ Ice Hockey



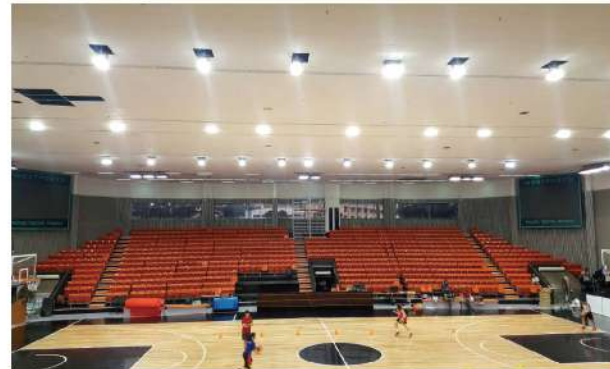
▲ Street Lighting



▲ Theater



▲ Architectural Lighting



▲ Basketball Court



▲ Construction Site



▲ Port



▲ Football Field



▲ Parking



▲ Garage



Gas Station ▲

Billboard ▼

Railway Station ▶

Airport ▲

Football Field ▼



Check more products application worldwide
www.co-ming.com/project