

# G-COMIN



*LED STREET LIGHT*

---

## HALO SERIES



**RoHS**

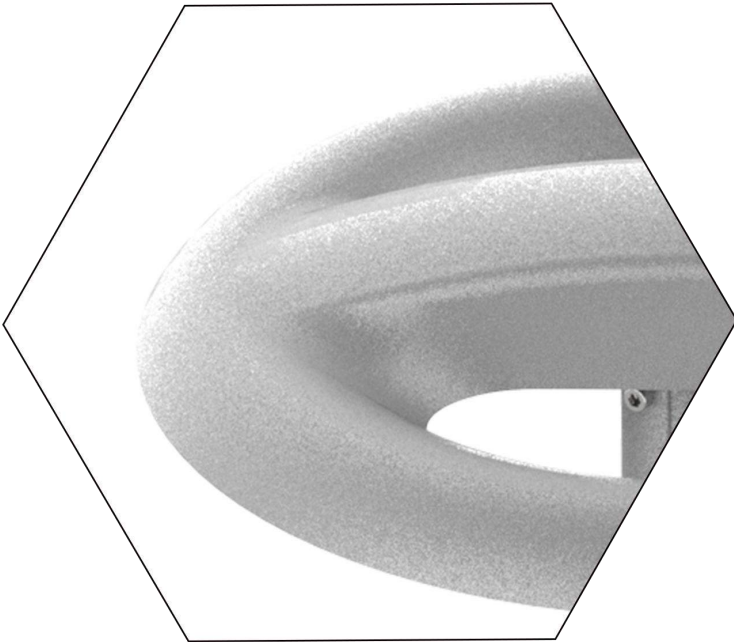


Ideal for parking lot, playground, square, park, highway, greenbelt  
golf course, and etc.

[www.co-ming.com](http://www.co-ming.com) / [info@coming.com](mailto:info@coming.com) / +86-755-28462760

**1**

## Feature



▶ **Unique Design**

---

Decorate your public space

▶ **Hydrophobic surface**

---

Too smooth to gather any dirt

▶ **Rust resistant**

---

All aluminium body

▶ **Highly Efficient System**

---

160Lm/w lighting output

▶ **IP66**

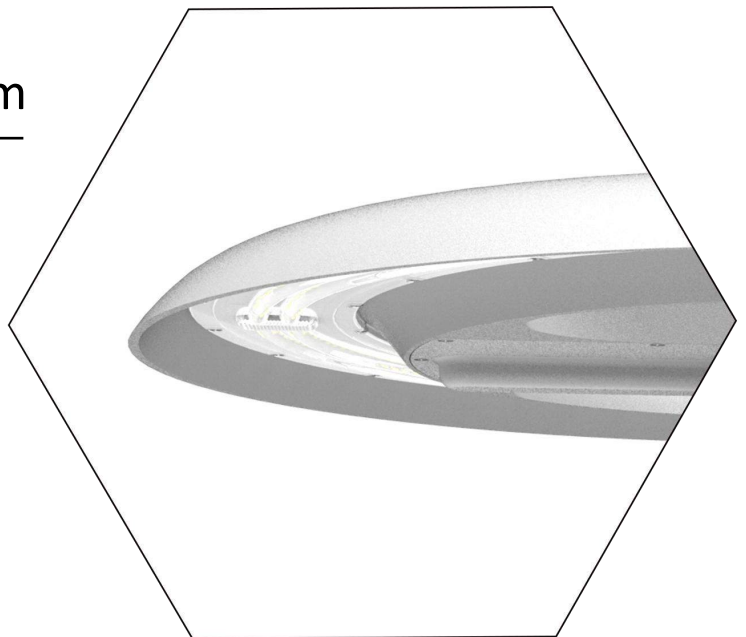
---

Integrated design protect the light from water & dirt

▶ **High robustness**

---

Provide long-term lighting



## 2

## Parameters

WATTAGE	50/80/100/150/200/240W
DRIVER	MEANWELL
LAMP LUMINOUS FLUX	160LM/W $\pm$ 5%
LIGHT SOURCE	LUMIEDS
CRI	Ra>70/80
CCT	2700-6500K
RATED VOLTAGE	AC 100-240V 277V~,50/60Hz
POWER FACTOR	>0.95
BEAM ANGLE	60°/90°/120°
IP GRADE	IP66
OPERATING TEMP	-40°C~60°C
POLE SIZE	60mm

### **CO-HALO-L50W**

---

8,000LM $\pm$ 5%

3.6kg $\pm$ 5%

$\phi$  380\*162mm

### **CO-HALO-L80W**

---

12,800LM $\pm$ 5%

4.0kg $\pm$ 5%

$\phi$  380\*162mm

### **CO-HALO-L100W**

---

16,000LM $\pm$ 5%

4.1kg $\pm$ 5%

$\phi$  380\*162mm

### **CO-HALO-L150W**

---

24,000LM $\pm$ 5%

4.2kg $\pm$ 5%

$\phi$  380\*162mm

### **CO-HALO-L200W**

---

32,000LM $\pm$ 5%

6.0kg $\pm$ 5%

$\phi$  500\*168mm

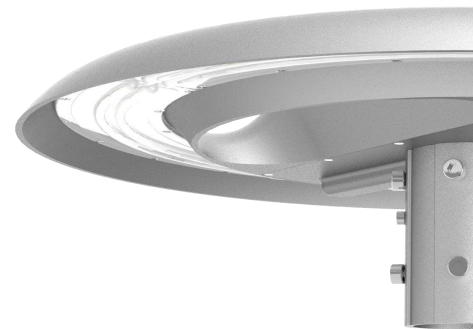
### **CO-HALO-L240W**

---

38,400LM $\pm$ 5%

6.0kg $\pm$ 5%

$\phi$  500\*168mm



### 3

## Application



1. Unique appearance, stylish decoration for your public space.

2. Annular luminous surface, efficient and comfortable lighting.

3. All aluminum body resists corrosion and age well.

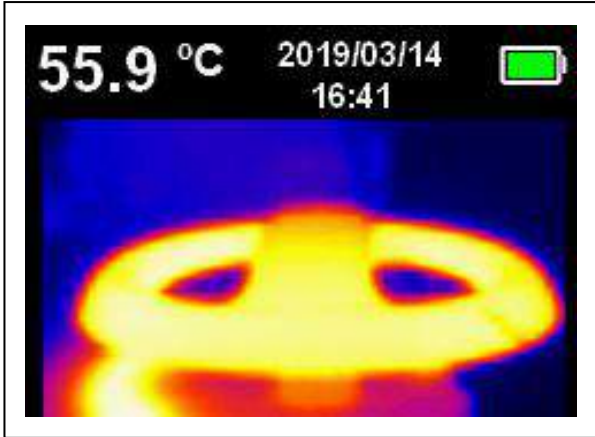
4. Smooth curve surface gather no dirt/leaf/snow/ice, self-cleaning with the assistants of wind and rain.



# 4

# Testing

- Temperature Rise Test



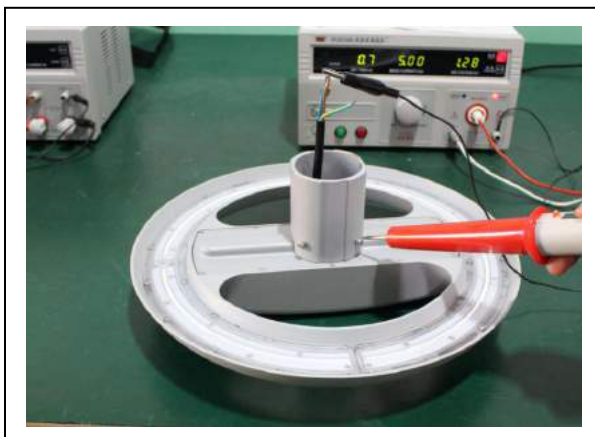
- Salt Spray Test



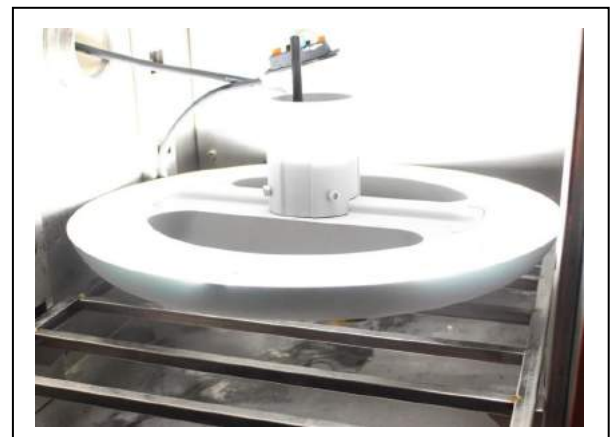
- Vibration Test

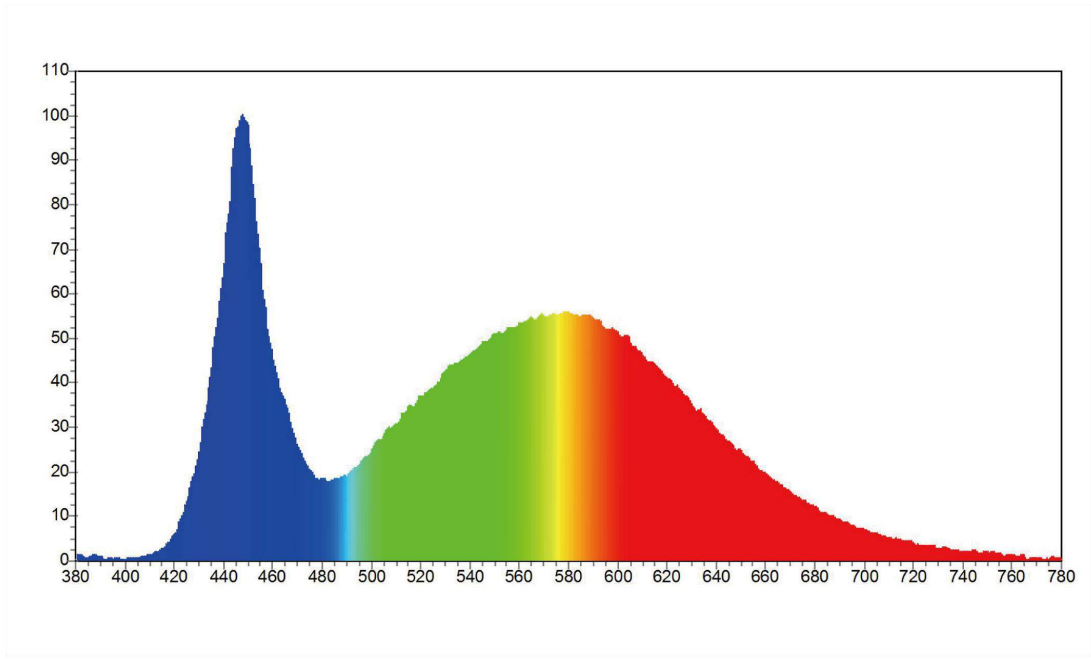


- Withstand Voltage Test



- High-Low Temperature Test

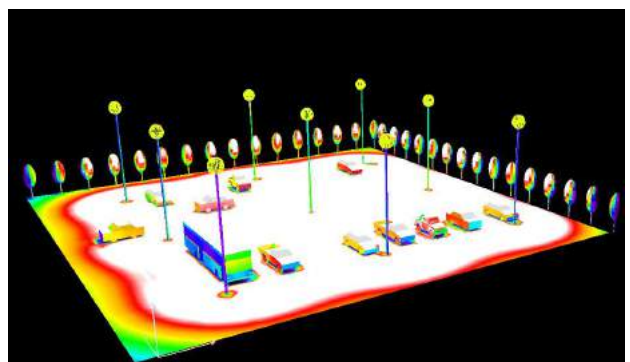
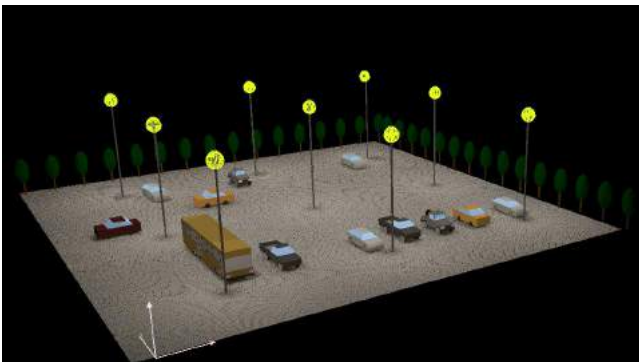
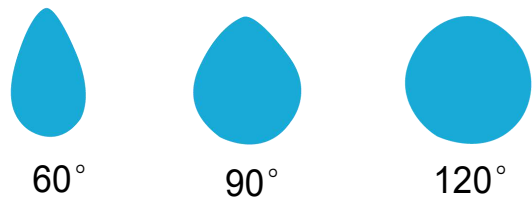




Spectrum Parameters					
x: 0.3393	y: 0.3504	R1: 80.1	R2: 84.8	R3: 85.7	
u: 0.2080	v: 0.3221	R4: 80.1	R5: 80.1	R6: 76.1	
WD: 566.5 nm	WP: 447.5nm	R7: 81.8	R8: 67.3	R9: 7.1	
HW: 23.0 nm	Purity: 0.069	R10: 60.8	R11: 78.2	R12: 58.8	
CCT: 5224 K	Ra: 79.5	R13: 80.0	R14: 91.6	R15: 77.8	
DUV: 0.0018		R%: 26.9	G%: 43.1	B%: 30.0	
Kred 18.71%	Kgreen 76.09%	Kblue 5.20%			
Electrical					
Flux: 31838.798 lm		P: 158.797 lm/w		P: 4247.19 mw	
I: 906.4 mA		V: 221.20 V		P: 200.5 w	
PF: 0.9650					

## 5 Light Distribution

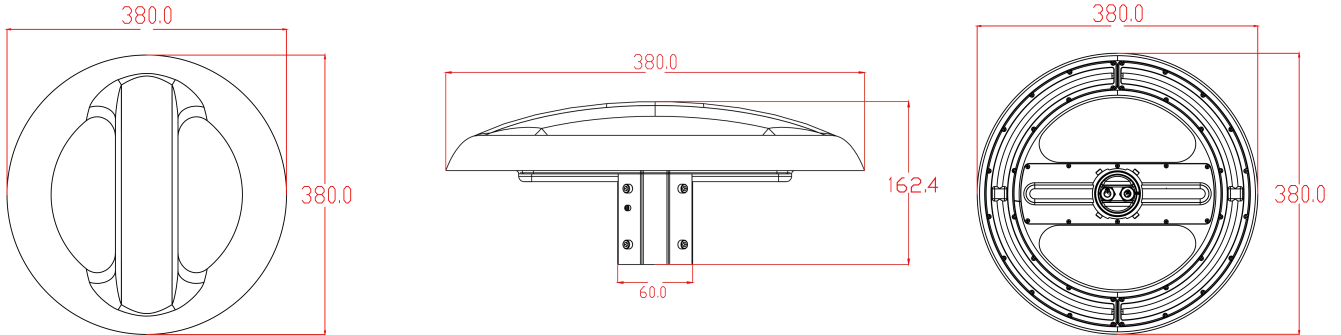
60° / 90° / 120° available



# 6

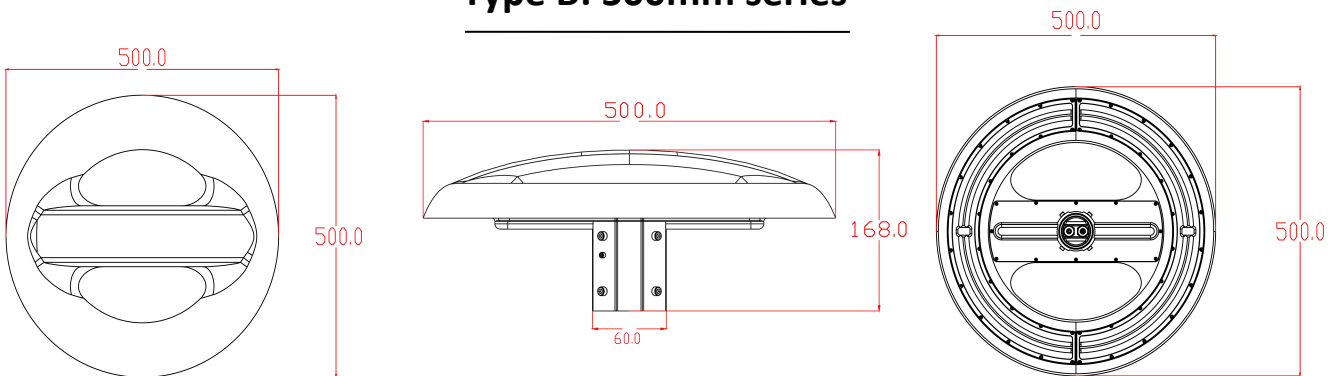
# Package

## Type A: 380mm series



Wattage	Net Weight	Size of Box	Cross Weight	Size of Carton	Gross Weight	Box Quantity / Carton
CO-HALO-L50W	3.6kg ± 5%	42x42x15cm	4.4kg ± 5%	45x45x69cm	18.4kg ± 5%	4
CO-HALO-L80W	4.0kg ± 5%	42x42x15cm	4.8kg ± 5%	45x45x69cm	20.2kg ± 5%	4
CO-HALO-L100W	4.1kg ± 5%	42x42x15cm	4.9kg ± 5%	45x45x69cm	20.8kg ± 5%	4
CO-HALO-L150W	4.2kg ± 5%	42x42x15cm	5.0kg ± 5%	45x45x69cm	21.1kg ± 5%	4

## Type B: 500mm series



Wattage	Net Weight	Size of Box	Cross Weight	Size of Carton	Gross Weight	Box Quantity / Carton
CO-HALO-L200W	6.0kg ± 5%	55x54x16cm	7.2kg ± 5%	57x57x73cm	30.7kg ± 5%	4
CO-HALO-L240W	6.0kg ± 5%	55x54x16cm	7.2kg ± 5%	57x57x73cm	30.7kg ± 5%	4

