

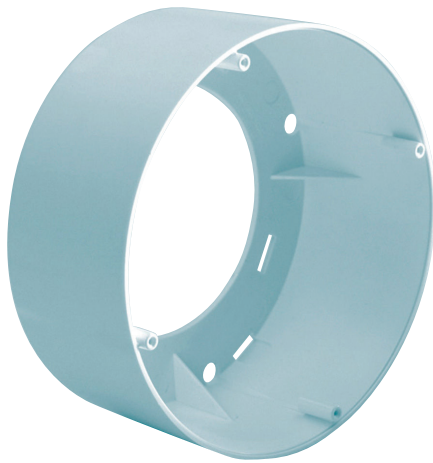
LBC 3091/01 Surface Mounting Box

www.boschsecurity.com



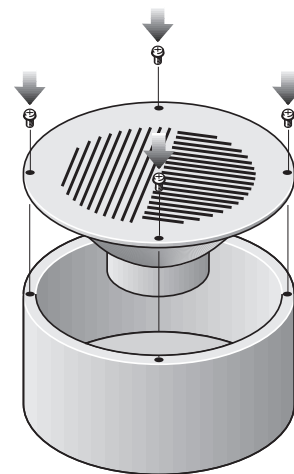
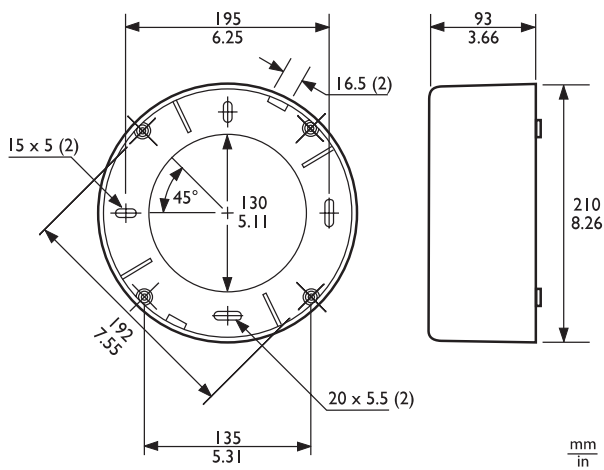
BOSCH

Invented for life



For mounting onto the surface of a wall or ceiling, the color-matched surface mounting box LBC 3091/01 is available.

Technical specifications



Dimensions (dia. X max. depth)	210 x 93 mm (8.3 x 3.6 in)
Colour	White (RAL 9010)
Weight	290 g (0.6 lb)

Ordering information

LBC 3091/01 Surface Mounting Box

Surface mounting box for securing ceiling loudspeaker
LBC3090/01 to walls or hard ceilings.

Order number **LBC 3091/01**

Represented by:

Americas:

Bosch Security Systems, Inc.
12000 Portland Avenue South
Burnsville MN 55337, USA
Phone: +1-800-392-3497
Fax: +1-800-955-6831
audiosupport@us.bosch.com
www.boschsecurity.com

Europe, Middle East, Africa:

Bosch Security Systems B.V.
P.O. Box 80002
5617 BA Eindhoven, The Netherlands
Phone: + 31 40 2577 284
Fax: +31 40 2577 330
emea.securitysystems@bosch.com
www.boschsecurity.com

Asia-Pacific:

Robert Bosch (SEA) Pte Ltd, Security
Systems
11 Bishan Street 21
Singapore 573943
Phone: +65 6571 2808
Fax: +65 6571 2699
apr.securitysystems@bosch.com
www.boschsecurity.asia

China:

Bosch (Shanghai) Security Systems Ltd.
201 Building, No. 333 Fuquan Road
North IBP
Changning District, Shanghai
200335 China
Phone +86 21 22181111
Fax: +86 21 22182398
www.boschsecurity.com.cn

America Latina:

Robert Bosch Ltda Security Systems Division
Via Anhanguera, Km 98
CEP 13065-900
Campinas, Sao Paulo, Brazil
Phone: +55 19 2103 2860
Fax: +55 19 2103 2862
latam.boschsecurity@bosch.com
www.boschsecurity.com