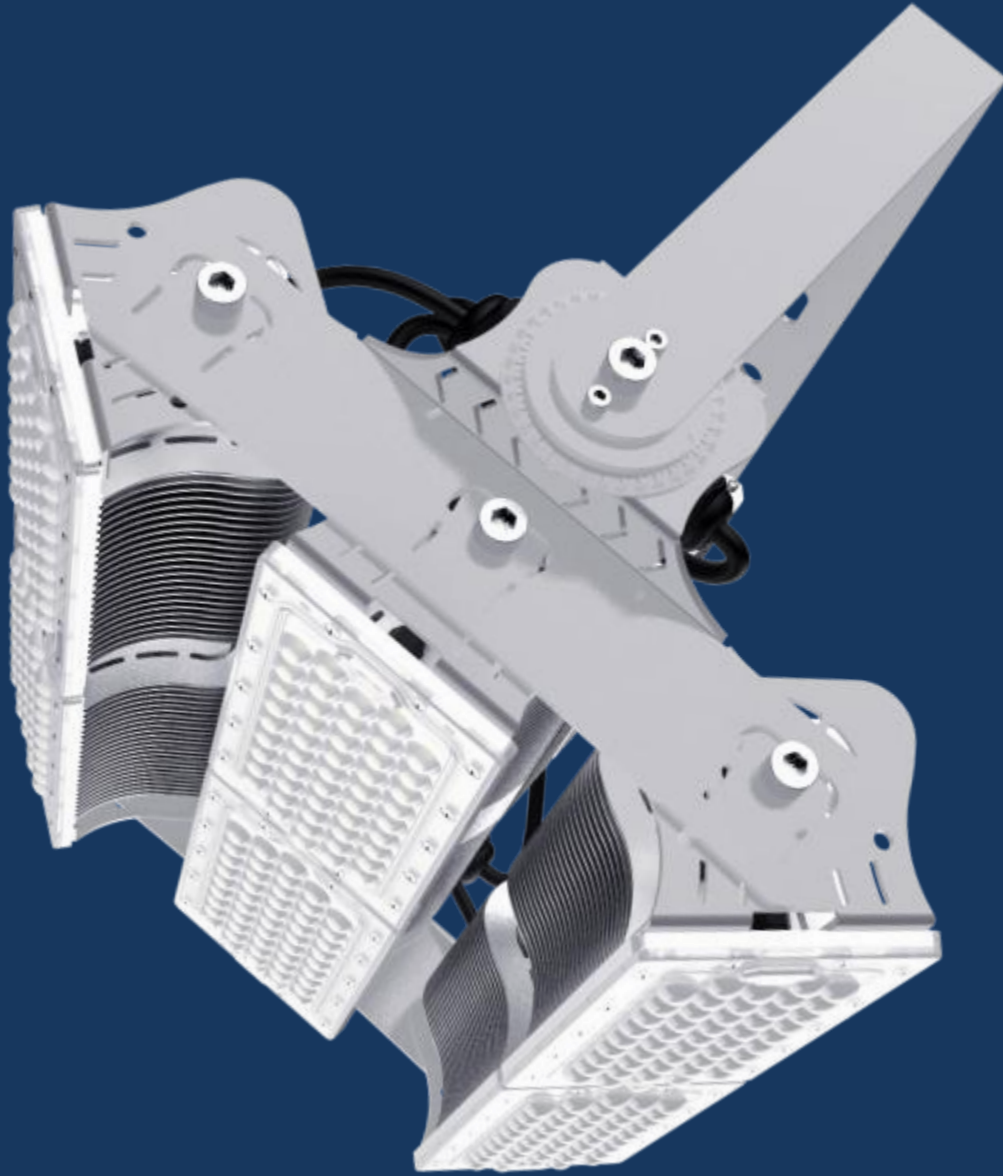


CO-T400A Series

160LM/W Versatile Flood Light



SPORTS FIELD



HIGH MAST LIGHT



FACTORY



BILLBOARD



CO-T400A-100W

16,000LM
48PCS LED
2.9kg ± 5%



CO-T400A-200W

32,000LM
96PCS LED
4.2kg ± 5%



CO-T400A-300W

48,000LM
144PCS LED
5.6kg ± 5%



CO-T400A-400W

64,000LM
192PCS LED
7.4kg ± 5%



CO-T400A-600W

96,000LM
288PCS LED
10.3kg ± 5%

Parameter

➤ WATTAGE	100/200/300/400/600W
➤ DRIVER	MEANWELL
➤ CRI	Ra>70
➤ CCT	2700-6500K
➤ RATED VOLTAGE	AC 90-305V, 50/60Hz
➤ POWER FACTOR	>0.95
➤ IP GRADE	IP65
➤ HEAT SINK	ALUMINUM COOLING FIN
➤ OPERATING TEMP	-40°C~60°C

LAMP LUMINOUS FLUX	BEAM ANGLE	LED QUANTITY	LIGHT SOURCE
160LM/W	60°/90°/120°	48LEDS EACH MODULE	LUMILEDS
150LM/W	30°	48LEDS EACH MODULE	LUMILEDS
120LM/W	10°	48LEDS EACH MODULE	CREE

Features



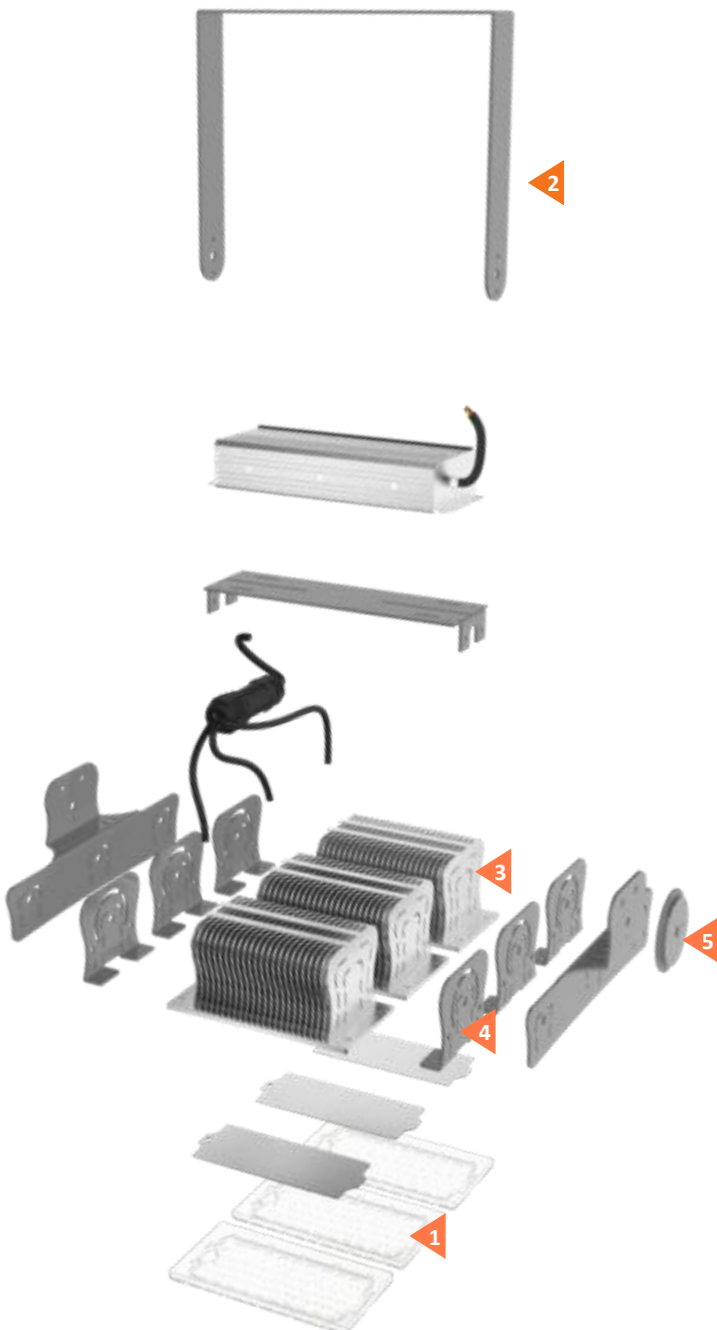
1 Replaceable Optical Lens



2 360° Rotatable Holder



3 High Efficient Heatsink



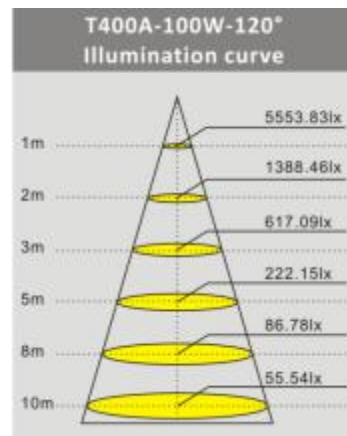
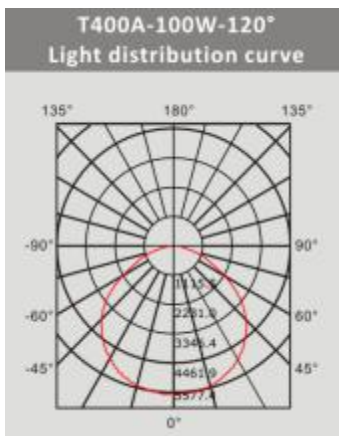
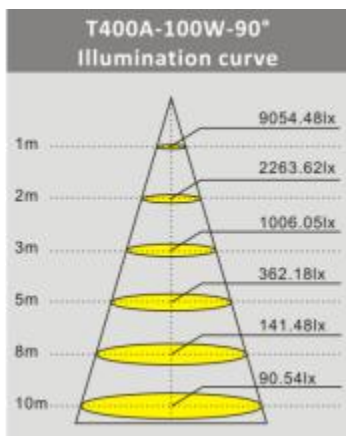
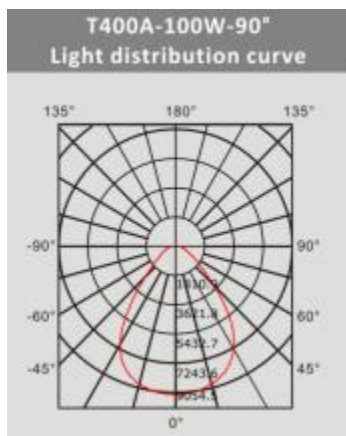
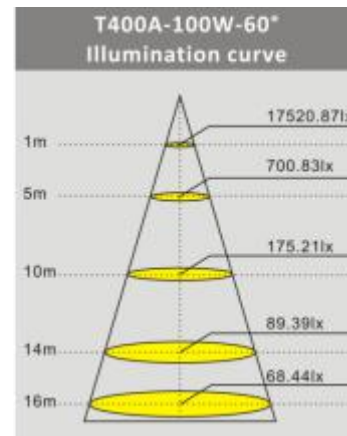
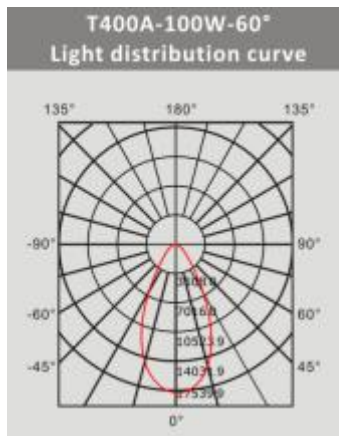
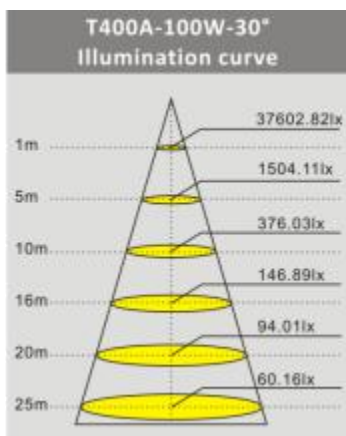
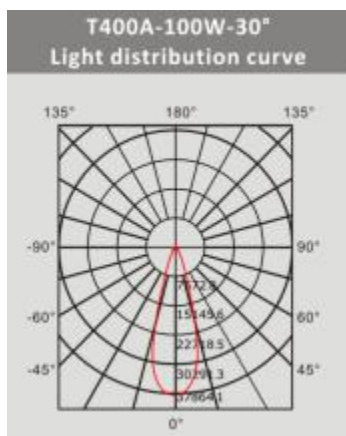
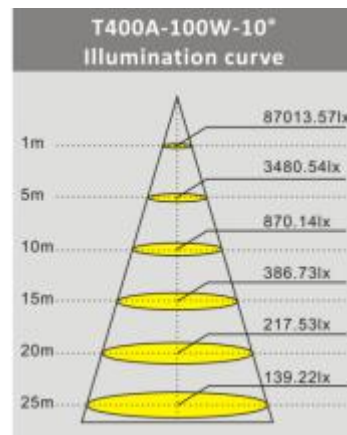
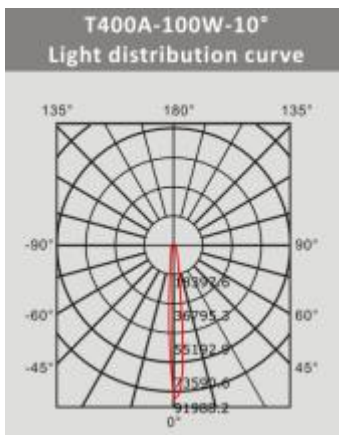
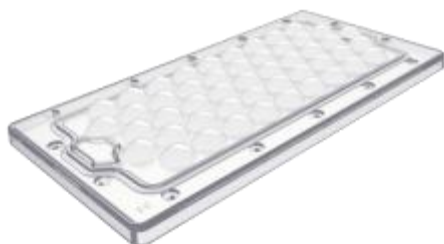
4 Laser Scale Design



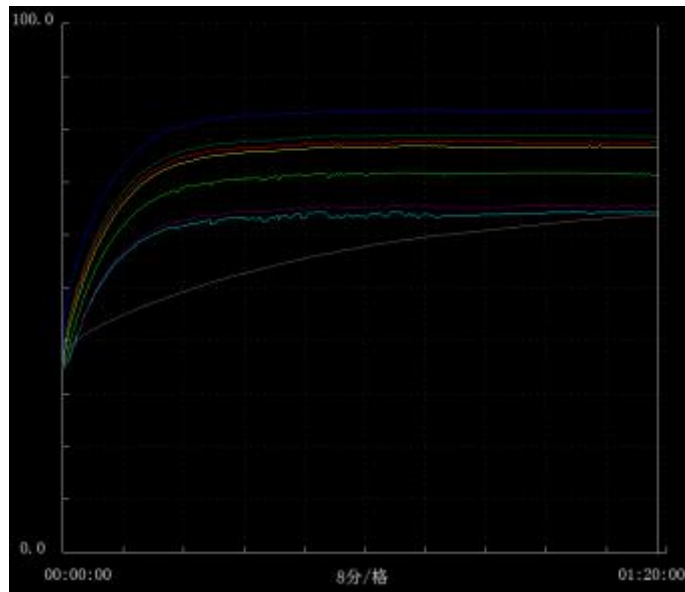
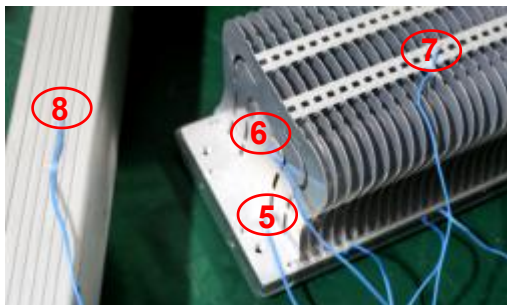
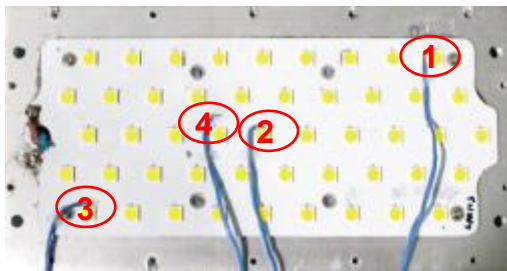
5 Original Angle Scale Plate

Professional Light Distribution

Multiple optical lens choices are available with angles including 10° /30°/60°/90° /120° to meet the requirements for professional light distribution and an extensive scope of applications.

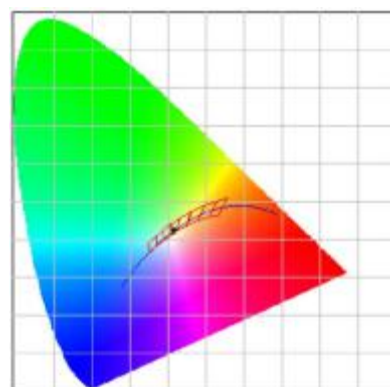
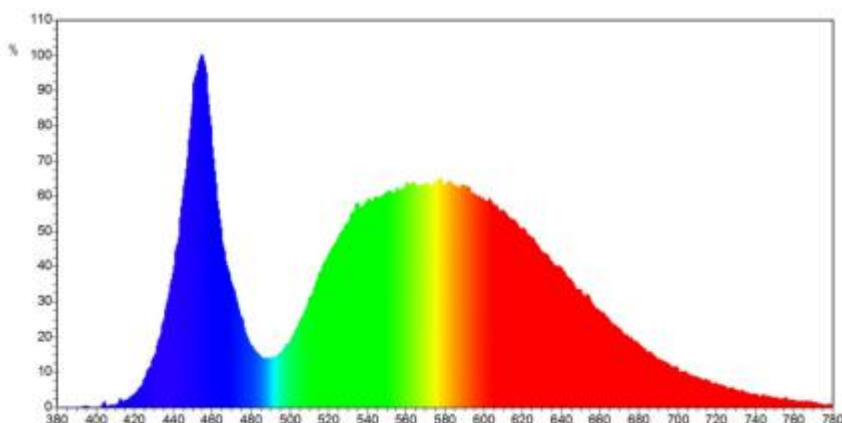


Temperature Rise Test (CO-T400A-100W)



Test Point	Time(min)	00:00:00	00:30:00	01:00:00	01:30:00	02:00:00	02:30:00
CH1 LED		34.2	67.2	77.5	77.7	78.1	77.7
CH2 LED		35.1	67.9	78.8	78.9	78.8	78.8
CH3 LED		34.6	70.7	83.3	83.5	83.6	83.8
CH4 PCB Board		34.3	65.4	76.8	77.1	76.9	77.2
CH5 Heat sink		35.2	62.3	71.4	71.4	71.6	71.4
CH6 Heat sink		34.8	53.2	64.2	64.5	64.8	64.8
CH7 Heat sink		34.6	53.0	65.6	65.7	65.7	65.7
CH8 LED Driver		34.1	49.7	63.9	64.0	64.1	64.1

System test report (CO-T400A-400W 5000K)



Electrical parameters

Flux: 63876.5384 lm

P: 157.642 lm/w

P: 29591.06 mw

I: 1874.2 mA

V: 216.20 V

P: 405.200 w

PF: 0.9740

Test

UV Aging Test

The test time is about 30 days. After the test, the lamp work well, no discoloration appearance , no yellowing of the PC lens , no rust of the body.



Waterproof Test

Every lamp will be tested the water-proof at least 2 hours before shipment. The efficient semiautomatic test line short the lead time.



Salt Spray Test

The heat sink processed by oxidization and powder spraying so that it has good corrosion resistance.

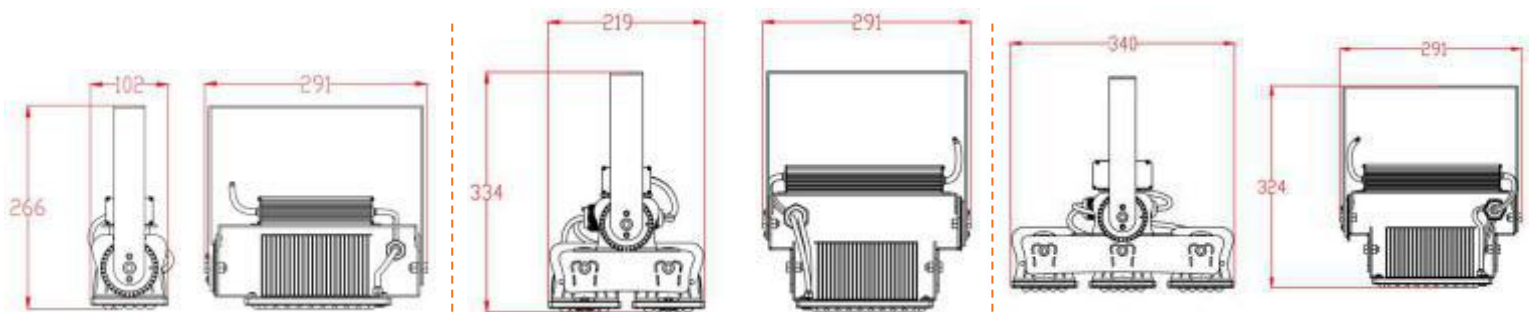


High-Low Temperature Testing

The test equipment worked 8 hours, the highest temperature was upped to 60°C and the lowest temperature was downed to -40°C. This process was circulated on twice. The lamp still worked normally.



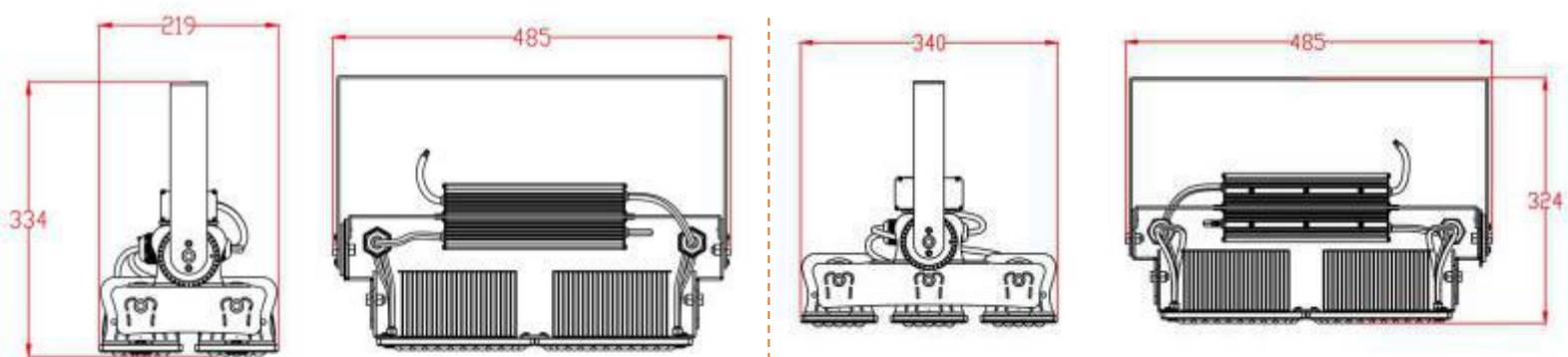
Dimension



T400A-100W

T400A-200W

T400A-300W



T400A-400W

T400A-600W

Packing

Model	Size of Box	Weight of Box	Size of Carton	Gross Weight of Carton	Box PCS /Carton
CO-T400A-100W	32*13*29cm	3.5KG	72*36*63cm	36KG	10
CO-T400A-200W	30*25*33cm	5.1KG	53*34*73cm	21.5KG	4
CO-T400A-300W	41*34*23cm	6.7KG	71*44*50cm	27.5KG	4
CO-T400A-400W	52*25*33.5cm	7.8KG	55*53*36cm	18.2KG	2
CO-T400A-600W	53*41.5*24.5cm	11.9KG	56*44*52cm	24.6KG	2