

AMG150 SERIES INDUSTRIAL GIGABIT 30/60/90W POE INJECTORS



Industrial Ethernet Solutions

AMG's industrial PoE injectors provide 30W or 60/90W of power injection on one or two Gigabit Ethernet ports. Provided with dual power supply inputs and a fault relay as standard ensures maximum system reliability.



Gigabit up to x2	Temp -40°C~+75°C	Mounting DIN/Surface	PSU x2 Dual

[AMG150 Series]

/ OVERVIEW

Designed in a compact DIN rail or wall mount housing, the AMG150 series industrial Power over Ethernet (PoE) injectors are ideally suited for providing power to remote edge network devices.

Available in both IEEE802.3at 30W or IEEE802.3bt 60/90W they are suitable for powering the latest high powered PoE devices over a wide industrial operating temperature range.

The unique AMG dual active port PoE function enables the units to operate as standard single channel injectors where power is supplied out from a single port or provide PoE power out of both ports simultaneously allowing 2 devices to be powered.

Fitted with dual redundant power inputs and power failure alarm relay ensures maximum operating reliability and the highest levels of performance.

A wide range of models are available to suit all design requirements.

PSUs need to be ordered separately.

/ FEATURES

- Compact size – ideal for confined spaces, including camera poles and roadside cabinets
- -40°C to +75°C temperature maintains performance in extreme conditions
- Plug & Play – no need for any user configuration
- DIN rail mountable – quick to install and remove for maintenance
- Dual PoE ports support 2 PD devices simultaneously
- Gigabit multirate RJ45 ports support all standard 10/100/1000Mb speeds
- Dual redundant power inputs with fault relay
- Supports 15W, 30W, 60W and 90W PoE
- Auto-Negotiation (802.3u) – automatically determines the best connection speed
- Manufactured in the United Kingdom
- AMG Lifetime Support Warranty

Specifications.

Standards.

IEEE802.3i	10Base-T
IEEE802.3u	100Base-TX
IEEE802.3ab	1000Base-T
IEEE802.3af	15W PoE
IEEE802.3at	30W PoE+
IEEE802.3bt	60 & 90W PoE
IEEE802.3x	Flow Control
Jumbo Frames	9.2Kbytes
Address Table	2K MAC Entries

Interface.

LED Indicators	2x Power RJ45 Link/Activity PoE
RJ45 Ports	2x 10/100/1000T(X) RJ45 with Auto MDI/MDI-X and 1.5 kV Isolation Protection
Power/Relay	1x 6 pin removable terminal block with locking screws

Power.

Power Inputs	2
Operating Voltage	48-56V _{DC}
Power Consumption	2W Max (without PoE Load)
PSE Modes:	
30W Models	Mode A
60/90W Models	Mode A, Mode B
Protection	Reverse Polarity, Overload Current
Fault Relay	Form A 60V @ 2A Max

Packaging.

Shipping Weight	0.52kg / 1.15lb
Dimensions	(W x D x H) 175 x 160 x 50 mm 6.89 x 6.3 x 1.97 in

Mechanical.

Housing	Anodised Aluminium
Dimensions:	(W x D x H)
Excluding DIN & Wall Mounts	35 x 88 x 108 mm
Including DIN & Wall Mounts	1.38 x 3.46 x 4.25 in
IP Rating	IP30
Installation	Wall Mount or DIN-Rail
Weight	0.3kg / 0.66lb

Environmental.

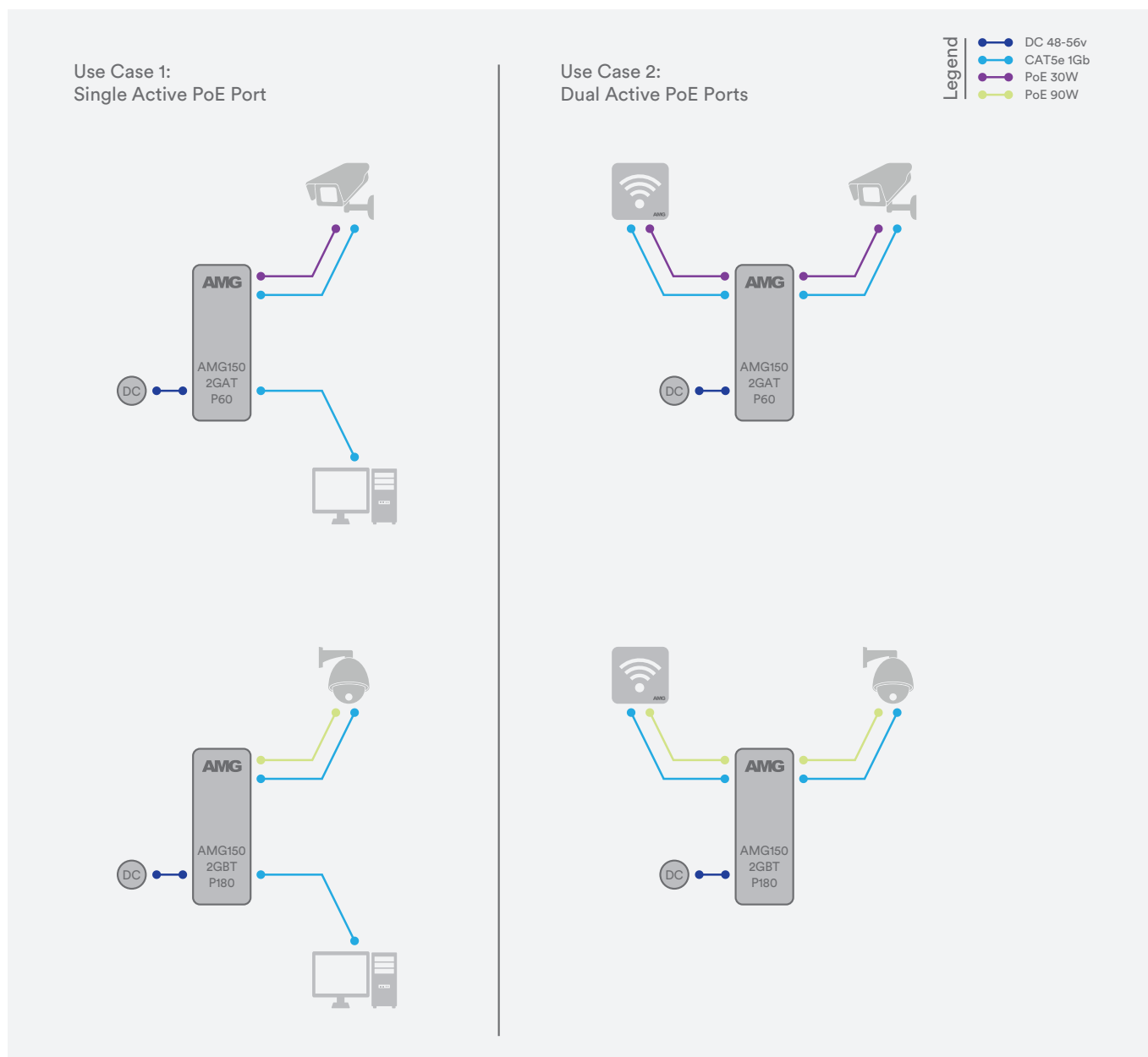
Operating Temp.	-40°C to +75°C
Storage Temp.	-40°C to +85°C
Humidity	5% to 95% (non-condensing)
MTBF	2,332,497 hours
MTBF Standard	Telcordia SR-332 GF 30°C
Heat Dissipation	109 BTU/h (30W PoE) 212 BTU/h (60W PoE) 314 BTU/h (90W PoE)
Cooling	Passive Cooling
Noise Level	0 dBA

Regulatory.

Safety	IEC/EN 62368-1
EMI	EN 55032 Class A CISPR 32 FCC Part 15B Class A
EMS	EN 61000-4-2 (ESD) EN 61000-4-3 (RS) EN 61000-4-4 (EFT) EN 61000-4-5 (Surge) EN 61000-4-6 (CS) EN 61000-4-8 (PFMF)
Shock	IEC 60068-2-27
Free Fall	IEC 60068-2-32
Vibration	IEC 60068-2-6
Environmental	IEC 60068-2-1 (-40°C Cold) IEC 60068-2-2 (+75°C Hot) IEC 60068-2-14 (Temp Change)
Reach	RoHS WEEE

Designed to meet NEMA TS2 & EN 50121-4

Application Diagram.




Part Numbers.

Industrial PoE Injectors

AMG150-2GAT-P60	2 x 10/100/1000BaseT(x) RJ45 with 30W PoE+, Can Be 1x In & 1x 30W Out or 2x 30W Out
AMG150-2GBT-P180	2 x 10/100/1000BaseT(x) RJ45 with 60/90W PoE+, Can Be 1x In & 1x 90W Out or 2x 90W Out

Recommended PSUs.

AMGPSU-I48-P60	DIN-Rail Mounting Industrial Grade PSU, -40 to +70°C, 43-56VDC, 60W
AMGPSU-I48L-P120	DIN-Rail Mounting Light Industrial Grade PSU, -20 to +60°C, 48-55VDC, 120W
AMGPSU-I48-P120	DIN-Rail Mounting Industrial Grade PSU, -40 to +70°C, 47-53VDC, 120W
AMGPSU-I48-P240	DIN-Rail Mounting Industrial Grade PSU, -40 to +70°C, 48-53VDC, 240W

Proud to be a British
Manufacturer 

In a continuing effort to improve and advance technology, product specifications are subject to change without notice. Please visit www.amgsystems.com for the latest product specifications.