

Z37

8MP Mini Bullet with D/N, Adaptive IR, Superior WDR, SLLS, Fixed Lens



- 8 Megapixel
- Day & Night with Superior Low Light Sensitivity and Adaptive IR LED
- Fixed Lens with f2.8mm/F2.0
- Superior WDR
- H.265 Compression
- Wide Angle

► Specifications

Device

| | |
|--------------------------|--|
| Product Type | Mini Bullet |
| Maximum Resolution | 8MP |
| Application Environment | Outdoor |
| Image Sensor | Progressive Scan CMOS |
| Sensor Size | 1/3 " |
| Day / Night | Yes |
| Low Light Sensitivity | Superior |
| Minimum Illumination | Color: 0.05 lux at F2.0 (AGC on); B/W: 0 (IR LED on) |
| Mechanical IR Cut Filter | Yes |
| IR LED | Adaptive IR LED (850 nm) |
| IR Working Distance | 40m |
| Electronic Shutter | 1-1/100000 second (manual mode); 1-1/100000 second (auto mode) |
| S/N Ratio | 56 dB |

Lens

| | |
|--------------|---------------------|
| Focal Length | Fixed focal, f2.8mm |
| Aperture | F2.0 |

| | |
|--------------------------|---|
| Iris | Fixed iris |
| Focus | Fixed focus |
| Horizontal Viewing Angle | 90° |
| Vertical Viewing Angle | 48.7° |
| Viewing Angle Adjustment | Pan: 0°-360°, Tilt: 0°-90°, Rotation: 0°-360° |

Video

| | |
|-----------------------------------|---|
| Compression | H.265, H.264 (Baseline/ Main profile), MJPEG |
| Maximum Frame Rate vs. Resolution | 20 fps at 3840 x 2160 30 fps at 2944 x 1656 30 fps at 2560 x 1440 30 fps at 1920 x 1080 20 fps at 1280 x 720 20 fps at 704 x 576 |
| Multi-Streaming | Simultaneous triple streams |
| Wide Dynamic Range | Superior WDR (120 dB) |
| Image Enhancement | White Balance, Backlight compensation (BLC), Strong Light Suppression, Brightness, Contrast, Saturation, Sharpness, Automatic gain control, Defogging |
| Digital Noise Reduction | 2D + 3D DNR |
| Privacy Mask | 4 configurable regions |
| Text Overlay | Yes |
| Image Orientation | Flip, Mirror |

Network

| | |
|----------------------------|--|
| Network Protocol & Service | IPv4, TCP, UDP, DHCP, HTTP, HTTPS, DNS, DDNS, NTP, RTP, RTSP, RTCP, SMTP, FTP, IGMP, ICMP, ARP, UPnP, SSL, QoS |
| Ethernet Port | 1 x Ethernet (10/100 Base-T), RJ-45 connector |

Integration

| | |
|-----------------|----------------|
| ONVIF Compliant | Yes, Profile S |
|-----------------|----------------|

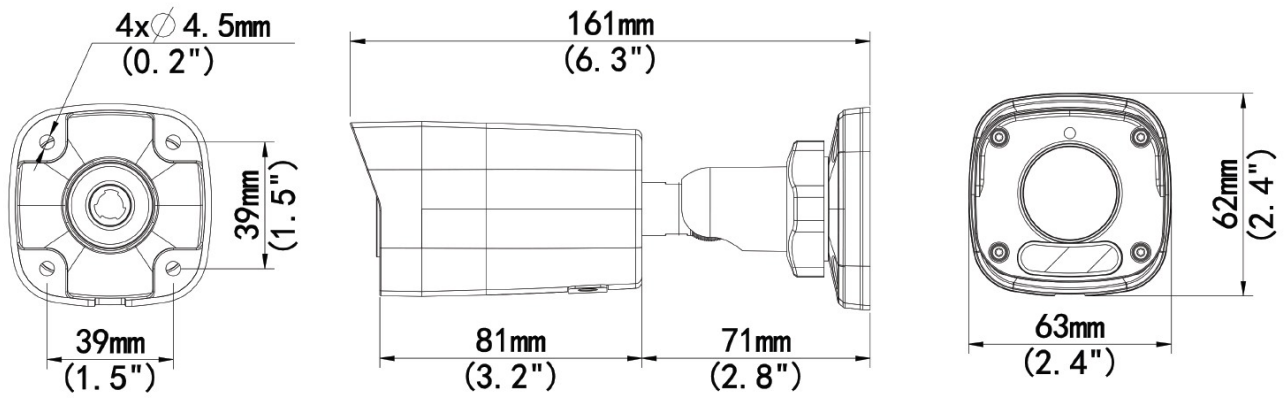
General

| | |
|-----------------------|--|
| Power Source | DC 12V +/- 25%, PoE (IEEE802.3af) |
| Weight | 364g (0.80lb) |
| Dimensions | (W x H x D): 63mm x 62mm x 161mm (2.4" x 2.4" x 6.3") |
| Environmental Casing | Weatherproof (IP67), Vandal proof metal casing (IK10) |
| Operating Temperature | -30°C ~ 50°C (-22°F ~ 122°F) |
| Operating Humidity | 10% - 95% RH |
| Approvals | CE Class A, FCC Class A, IP67, IK10 (metal casing) |
| Warranty | 2 Year(s). For extended warranty offering, see http://www.acti.com/support/warranty |

► Photo Indication



► Dimension Diagram



Unit: mm [inch]

▶ Related Products

Mounting Accessories - Camera Mount


PMAX-0526  Pole Mount (for Z31, Z33, Z34, Z41, Z42)


PMAX-0724  Junction Box (for Z33, Z34)

Note: Some mounting accessories may need additional accessories for installation. Please check www.acti.com/mountingselector for more information.


Power Supply Accessories - Power Adapter

PPBX-0012  Power Adapter AC 100~240V (US), for A3x, A4x, A88, A9x, Z31, Z8x, Z9x

PPBX-0013  Power Adapter AC 100~240V (EU), for A3x, A4x, A88, A9x, Z31, Z8x, Z9x

PPBX-0014  Power Adapter AC 100~240V (UK), for A3x, A4x, A88, A9x, Z31, Z8x, Z9x

Power Supply Accessories - PoE Injector

PPOE-0101  High PoE Injector IEEE 802.3at compliant, AC 100~240V, with universal connectors (for I91, I92, KCM-8111)