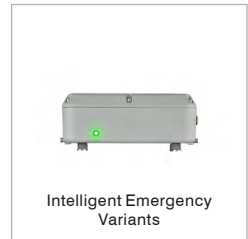


## WARRIOR LED Industrial Bulkhead



# rayTEC®



### Compact Design

The compact, low profile design is ideal for applications where space is restricted.



### Robust and Durable

Designed from marine grade aluminium and able to withstand the most extreme environments.



### Easy Maintenance

Featuring a unique modular design, key components are easily accessible for straightforward maintenance and inspection.



### Intelligent Emergency

Self-testing emergency battery providing up to 3 hours emergency back-up.

## 5 YEAR WARRANTY

All Raytec luminaires are provided with an industry leading 5 year warranty and have an expected useful life in excess of 10 years. See Warranty Statement for details.



# Technical Specifications

Electrical	BL24	BL24 EMX25
Input	110-254V 50/60Hz AC only Low voltage: 18-48V AC and 18-69V DC Extra low voltage: 12V AC/DC	110-254V 50/60Hz AC only
Power	20W	24W
Termination	Incoming terminal block suitable for looping 4 core 4mm <sup>2</sup> cable (6mm <sup>2</sup> available - POA)	
Power Factor	>0.9	
Cable Entries	4xM20 as standard (other entries available upon request), dispatched complete with three ATEX/UKEX/IEC Ex approved blanking plug	

Optical	BL24	BL24 EMX25
Beam Patterns - Circular	10°x 10° or 30°x 30° or 50°x 50° or 120°x 120° (10 x 10 option can be upgraded to Vario Technology)	10°x 10° or 30°x 30° or 50°x 50° or 120°x 120° (10 x 10 option can be upgraded to Vario Technology)
Beam Patterns - Elliptical	35°x 10° or 60°x 25° or 80°x 30° or 120°x 50° (VARIO)	35°x 10° or 60°x 25° or 80°x 30° or 120°x 50° (VARIO)
Lumen output on mains	2,750 lm – circular beam patterns 2,500 lm – elliptical beam patterns (VARIO)	2,750 lm – circular beam patterns 2,500 lm – elliptical beam patterns (VARIO)
LED type	Platinum Elite SMT LEDs	Platinum Elite SMT LEDs
Number of LEDs	24	24
CRI	80+	80+
Colour Temperature	6500K standard	6500K standard

Mechanical	BL24	BL24 EMX25
Burning Position	Universal	Universal
IP Rating	IP66 & IP67	IP66 & IP67
Temperature Range	- 50°C to +55°C	- 20°C to +55°C
Weight	5kg (11.0lbs)	6kg (13.2lbs)
Enclosure	Marine grade aluminium epoxy powder coated, toughened glass, all external fasteners and brackets are marine grade stainless steel	
Unit Colour	Silver (RAL 9006) White (RAL 9016) Front	Silver (RAL 9006) White (RAL 9016) Front
Installation instructions	Please Contact Raytec	
Battery care instructions	Please Contact Raytec	
Dimensions	See Dimensional Sketches	
Mounting	Comes complete with stainless steel brackets (as shown on next page). Other options available	

## Technical Specifications - Continued

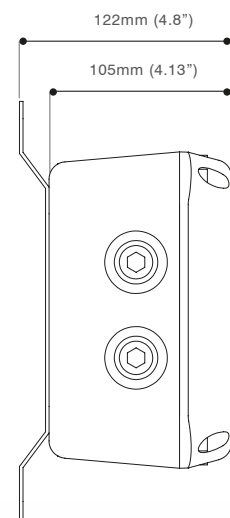
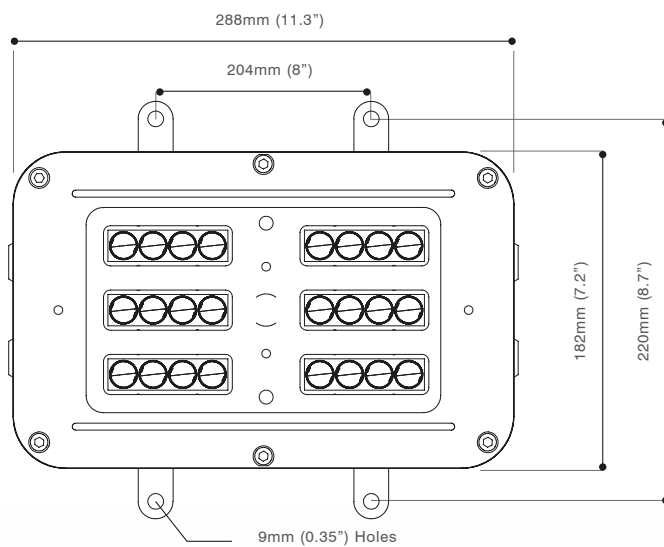
### Intelligent Emergency

### BL24 EMX25

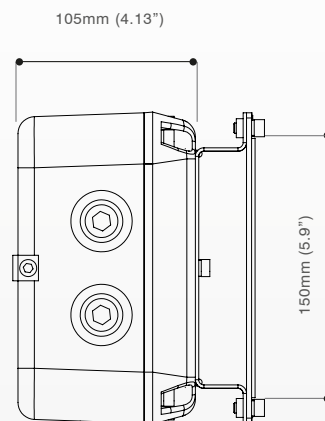
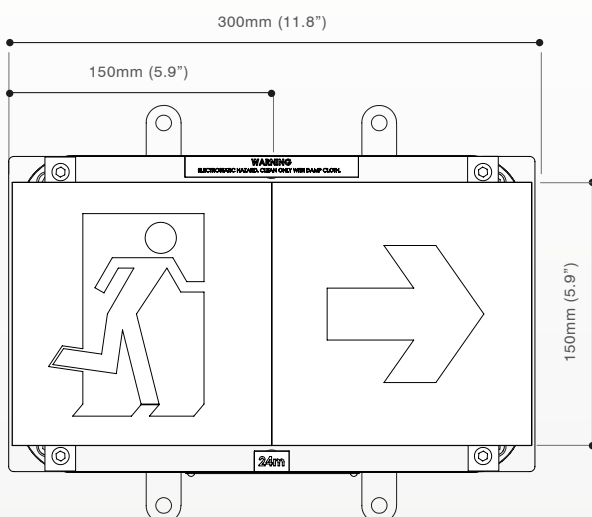
Function	Self-testing intelligent emergency
System health indicator	Tri-colour LED indicator
Emergency Duration	Up to 3hrs @ 25% power Other options available
Emergency Battery	2.5 Ah
Emergency Charge Time	20 hours

## Product Dimensions

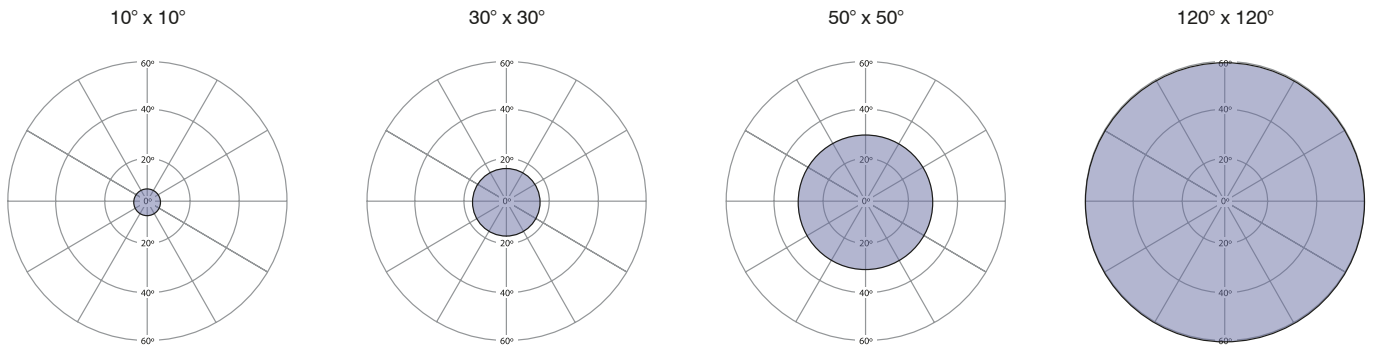
### BL24, BL24-EMX



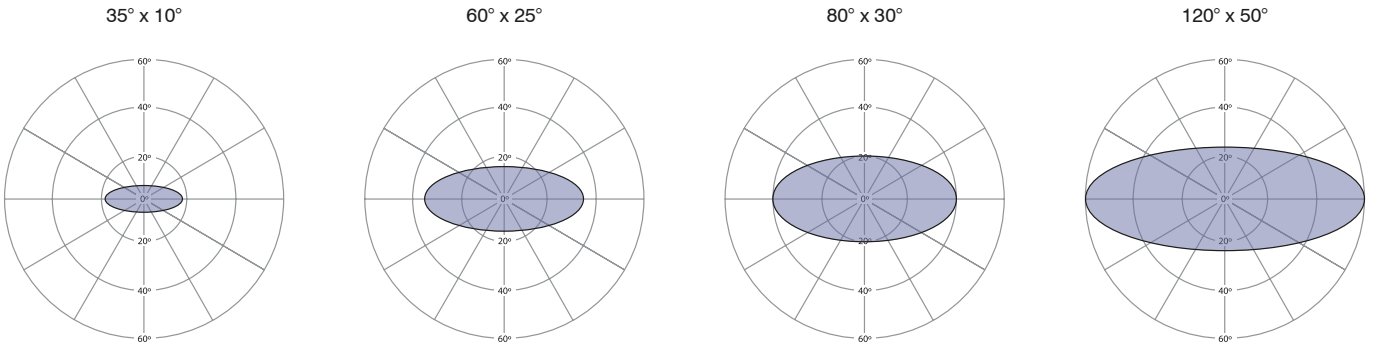
### BL24 Exit Sign



## Beam patterns - Circular



## Beam patterns – Elliptical (VARIO)



# Part Code Builder

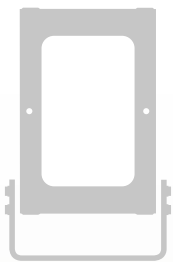
## SPARTAN Bulkhead

Example - SPI-BL24-W-120120

Family	Model	Light Type	Optic	Emergency	CCT	Power	Entry	Mounting
SPI	BL24	W - White Light	120120	NOT STATED - Non EM	Not Stated - 6500K	Not Stated - Standard Mains	Not Stated - M20	Not stated - Standard Wall Brackets
			12050	EMX25 (3 hour)	4K - 4000K	LV - Low Voltage (Non EM only)	M25	SP - Spigot Mount
			1010			ELV - Extra Low Voltage (Non EM only)		EXIT - c/w Exit Sign Kit
			3030			LO - Low Output (12W)		
			5050					
			50120					
			8030					
			6025					
			3510					
			10155 (SP only)					

\*Other options available, please contact Raytec for more information

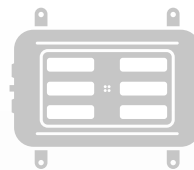
## Products in the SPARTAN Family



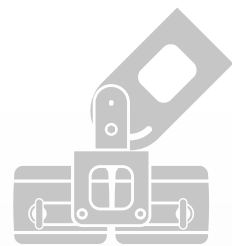
SPARTAN Flood



SPARTAN Linear



SPARTAN Bulkhead



SPARTAN Crane