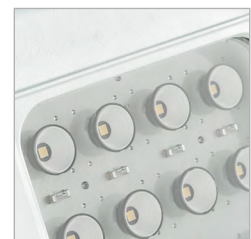


# WARRIOR SPI

## LED Industrial High Power Floodlight

### Power and Performance

High lumen output up to 25,000 lumens and a range of beam patterns to effectively light up large open areas such as service yards.



### Robust and Durable

Robust and durable construction from marine grade aluminium and with a wide operating temperature for even the most challenging conditions.



### Retrofit and Modular

Designed to directly replace traditional discharge light sources up to 400W SON. The modular design allows easy access to key components and the ability to mount the PSU remotely (contact Raytec for details).



### Controllable

DALI 2.0 Dimmable as standard for precise and flexible control of lighting assets.

## 5 YEAR WARRANTY

All Raytec luminaires are provided with an industry leading 5 year warranty and have an expected useful life in excess of 10 years. See Warranty Statement for details.



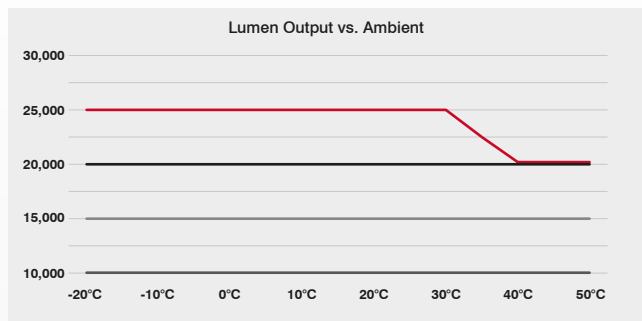
# Technical Specifications

Electrical	20K	25K
Input	150-264V 50/60Hz AC/DC 110V variant available - please contact Raytec	
Power	240W	300W
Termination	Incoming terminal block suitable for looping 3 core 4mm <sup>2</sup> cable	
Power Factor	>0.95	>0.95
Cable Entries	2xM20 as standard (other entries available upon request), dispatched complete with one blanking plug	

Optical	20K	25K
Beam Patterns	30° x 30° or 60° x 60° or 90° x 90°	
Lumen Output	20,000lm	25,000lm
LED Type	Platinum Elite SMT LEDs	
Number of LEDs	24	24
CRI	70+	70+
Colour Temperature	5,700K	5,700K
Automatic Thermal Cutback Feature	Refer to the graph below	Refer to the graph below

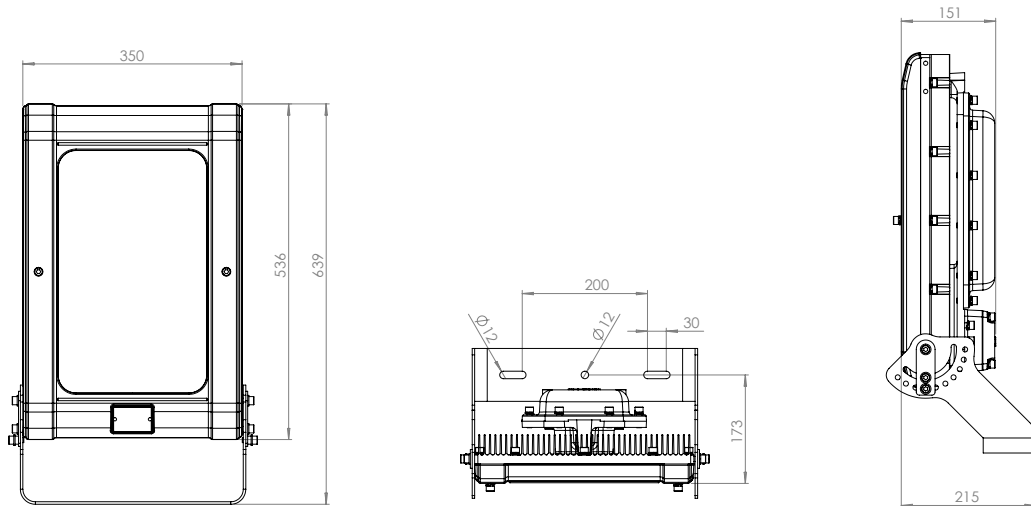
Mechanical	20K	25K
Burning Position	Universal	Universal
IP Rating	IP66	IP66
Temperature Range	-50°C to +50°C	-50°C to +50°C
Weight	23.5kg (51.8lbs)	23.5kg (51.8lbs)
Enclosure	Marine grade aluminium epoxy powder coated, toughened glass, all external fasteners and brackets are marine grade stainless steel	
Unit Colour	Front - White (RAL 9016) Back - Silver (RAL 9006)	
Dimensions	639 x 350 x 215mm (25.2 x 13.8 x 8.5")	
Mounting	Stirrup bracket (see dimension drawings on Page 3)	

## Automatic Thermal Cutback Feature

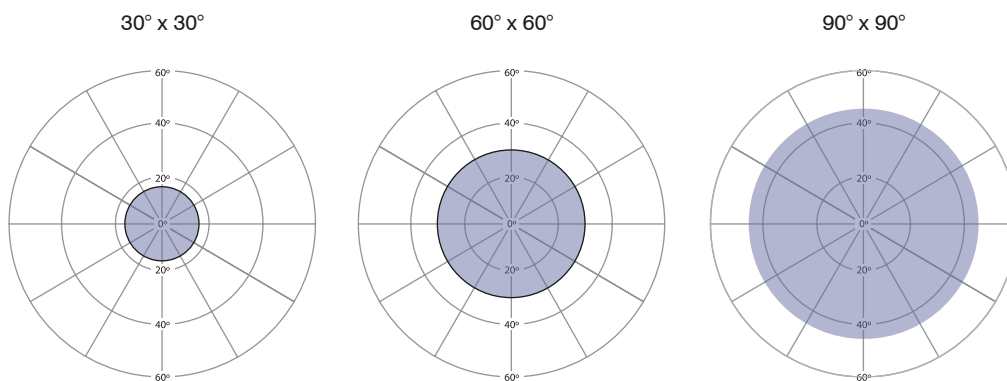


— 25K Lumens — 20K Lumens — 15K Lumens — 10K Lumens

## Product Dimensions



## Beam patterns - Circular



## Part Code Builder

### WARRIOR High Power Flood

Example - SPI-HPFL15K-W-9090

Family	Model	Light Type	Optics	Power	Entry
SPI	HPFL20K	W- White Light	3030	Not Stated - 150-264ac	Not Stated - M20
	HPFL25K		6060	110 - 110V-277Vac	M25
			9090		