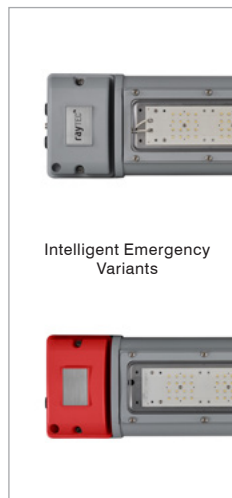


WARRIOR SPI Linear
LED Heavy Industrial Linear Luminaire



Modular Design

Key components such as the LED and PSU modules are easily accessible for straightforward maintenance and inspection.



Intelligent Emergency

Self-testing emergency battery providing up to 3 hours emergency back-up.



Retrofitable

Linear has been designed with the same dimensions, fixing centres and cable entries as traditional fluorescent fittings making it a direct replacement.



Bespoke LED

Raytec are specialists in LEDs and all our products are designed around LEDs with bespoke housing for optimum performance and reliability.

5 YEAR WARRANTY

All Raytec luminaires are provided with an industry leading 5 year warranty and have an expected useful life in excess of 10 years. See Warranty Statement for details.



Technical Specifications - Core Products

WARRIOR Linear WL84



WARRIOR Linear WL168



Electrical	WL84	WL84 Emergency	WL168	WL168 Emergency
Input	Standard: 110-254V AC Low voltage version: 18-48V AC and 18-69V DC Extra low voltage version: 12V AC/DC	110-254V AC only	Standard: 110-254V AC Low voltage version: 18-48V AC and 18-69V DC Extra low voltage version: 12V AC/DC	110-254V AC only
Power	24W	32W	49W	56W
Termination	Incoming terminal block suitable for looping 4 core 4mm ² cable (6mm ² available - POA)			
Power Factor	>0.95	>0.95	>0.95	>0.95
Cable Entries	2xM20 cable entries at both ends, through wired as standard (other entries available upon request), dispatched complete with three blanking plugs			

Optical	WL84	WL84 Emergency	WL168	WL168 Emergency
Lumen output on mains	3524	3524	7048	7048
LED type	Platinum Elite SMT LEDs	Platinum Elite SMT LEDs	Platinum Elite SMT LEDs	Platinum Elite SMT LEDs
Number of LEDs	80	80	160	160
CRI	80+	80+	80+	80+
Colour Temperature	6500K standard	6500K standard	6500K standard	6500K standard

Mechanical	WL84	WL84 Emergency	WL168	WL168 Emergency
Burning Position	Universal	Universal	Universal	Universal
IP Rating	IP66 & IP67	IP66 & IP67	IP66 & IP67	IP66 & IP67
IK Rating	IK10	IK10	IK10	IK10
Temperature Range	-40°C to +60°C	-20°C to +50°C	-40°C to +60°C	-20°C to +50°C
Weight	6kg (13.2lbs)	7kg (15.4lbs)	9kg (19.8lbs)	10kg (22lbs)

Mechanical	WL84	WL84 Emergency	WL168	WL168 Emergency
Enclosure	Marine grade aluminium epoxy powder coated, UV stabilised polycarbonate, all external fasteners and brackets are marine grade stainless steel			
Unit Colour	Silver (RAL 9006)	Silver (RAL 9006) Red (RAL3024) - Emergency battery cover	Silver (RAL 9006)	Silver (RAL 9006) Red (RAL3024) - Emergency battery cover
Installation instructions	Please contact Raytec for a copy			
Battery Care	Please see document 0010-D-00001 at www.rayteclcd.com			
Dimensions	See dimensional sketches			
Mounting	Via M8/M6 tapped holes. Various mounting arrangements available (please see product overview guide)			

Technical Specifications - Core Products

Intelligent Emergency	WL84 Emergency	WL168 Emergency
Function	Self-testing intelligent emergency	Self-testing intelligent emergency
System health indicator	Tri-colour LED indicator	Tri-colour LED indicator
Emergency Duration	Up to 3hrs @ 25% power	Up to 3hrs @ 25% power
Emergency Battery	NiCd 12V	NiCd 12V
Emergency Charge Time	20 hours	20 hours

Technical Specifications - WARRIOR Linear Essential

WARRIOR Linear WL84-LL



WARRIOR Linear WL168-LL

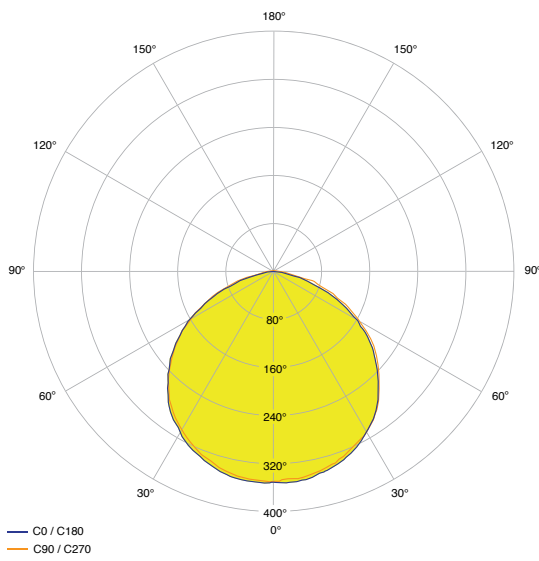


Electrical	WL84-LL	WL168-LL
Input	Standard: 110-254V AC Low voltage version: 18-48V AC and 18-69V DC Extra low voltage version: 12V AC/DC	110-254V AC
Power	24W	49W
Termination	Incoming terminal block suitable for looping 4 core 4mm ² cable (6mm ² available - POA)	
Power Factor	>0.95	
Cable Entries	2xM20 cable entries at one end. Loop in loop out as standard (other entries available upon request), dispatched complete with one approved blanking plugs	

Optical	WL84-LL	WL168-LL
Lumen output on mains	3524	7048
LED type	Platinum Elite SMT LEDs	
Number of LEDs	80	160
CRI	80+	80+
Colour Temperature	6500K standard	6500K standard

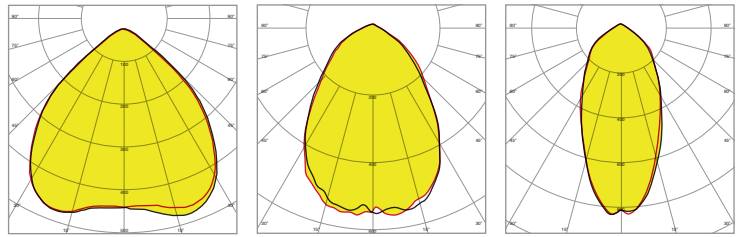
Mechanical	WL84-LL	WL168-LL
Burning Position	Universal	Universal
IP Rating	IP66 & IP67	IP66 & IP67
IK Rating	IK10	IK10
Temperature Range	-40°C to +60°C	-40°C to +60°C
Weight	6kg (13.2lbs)	9kg (19.8lbs)
Enclosure	Marine grade aluminium epoxy powder coated, UV stabilised polycarbonate, all external fasteners and brackets are marine grade stainless steel	
Unit Colour	Silver (RAL 9006)	Silver (RAL 9006)
Installation instructions	Please contact Raytec for a copy	
Dimensions	See dimensional sketches	
Mounting	Via M8/M6 tapped holes. Various mounting arrangements available (please see product overview guide)	

Light Distribution



Zone 2 - Standard

Symmetrical Optics

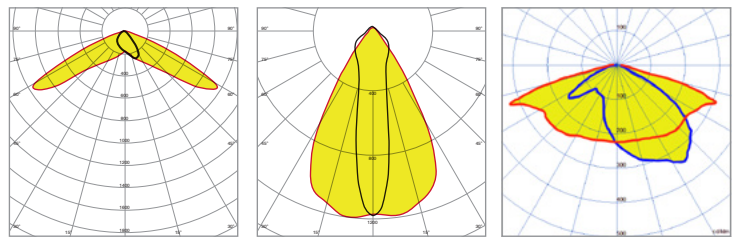


90x90

60x60

30x30

Asymmetrical Optics



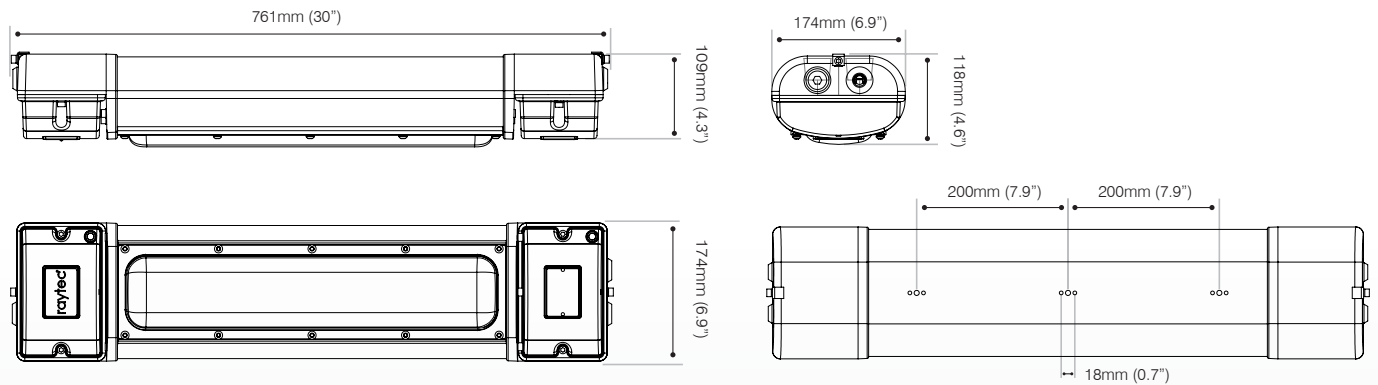
Safety Shower -
Wide Beam

Aisle -
80x30

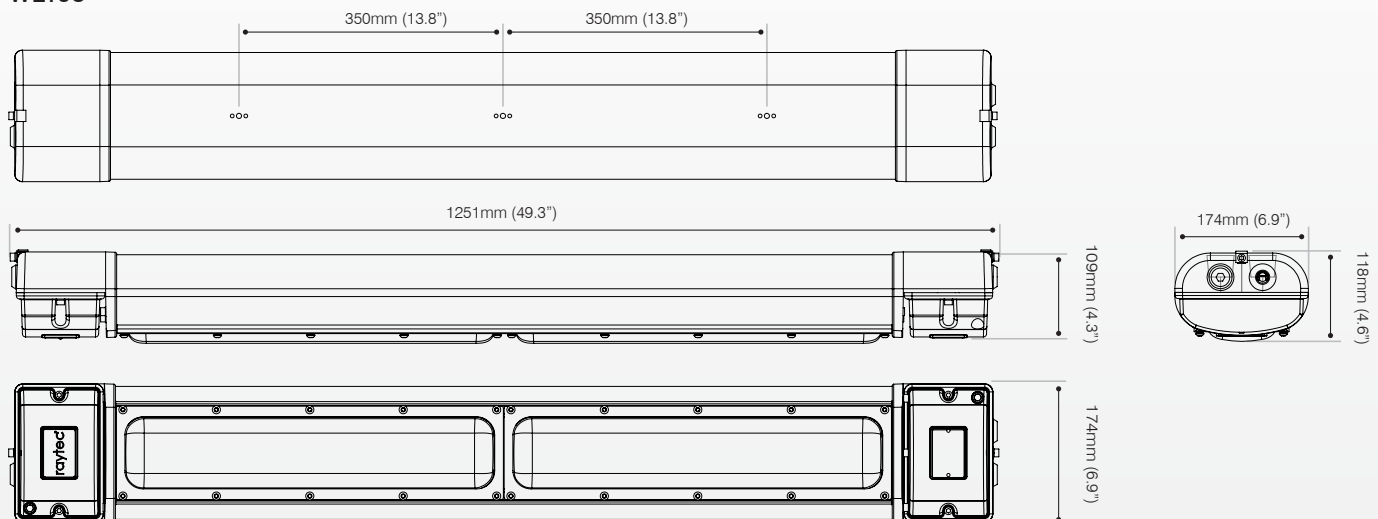
PP3
Optic

Product Dimensions

WL84, WL84 Emergency

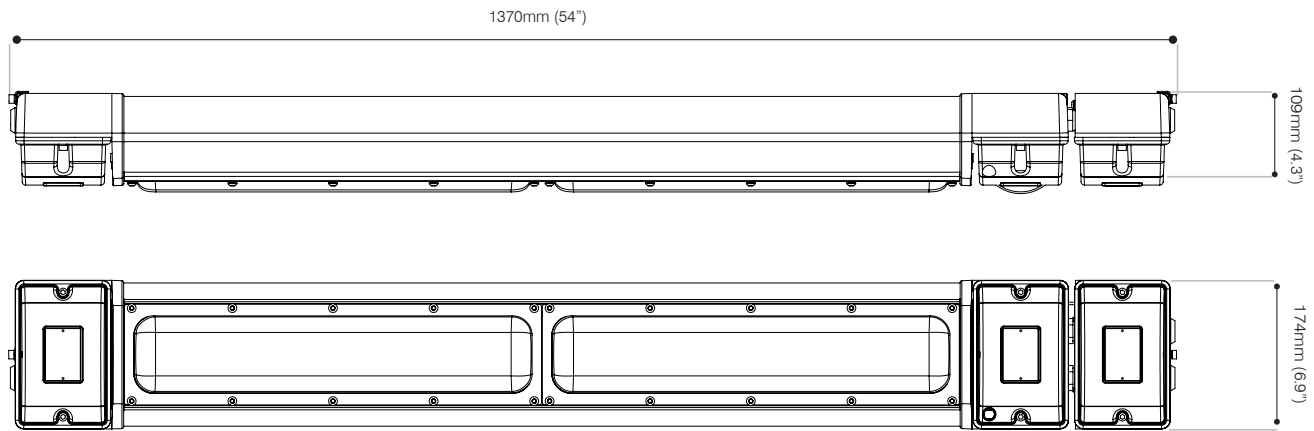


WL168

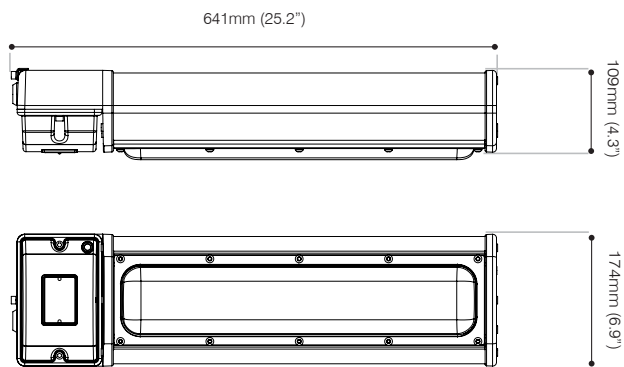


Product Dimensions

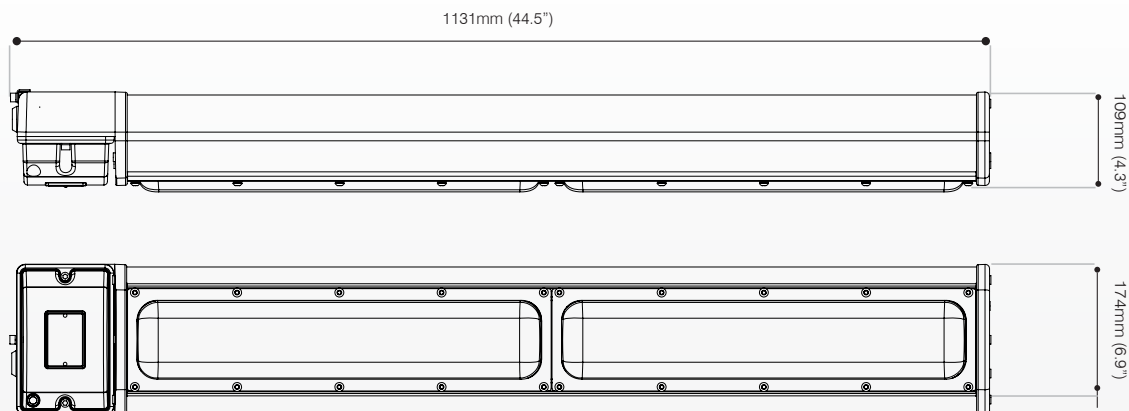
WL168 Emergency



WL84 Essential

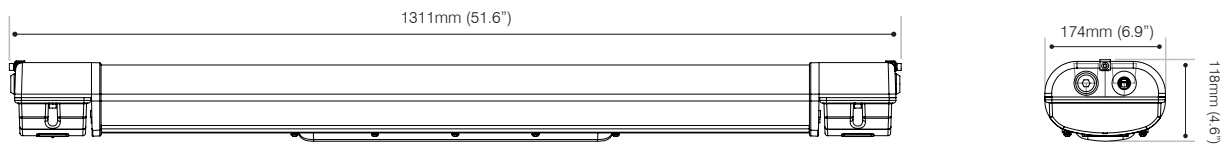


WL168 Essential

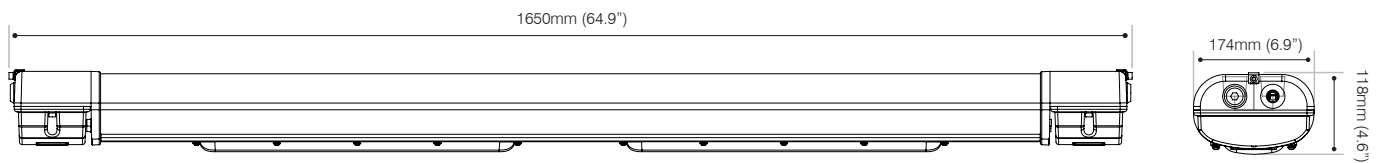


Product Dimensions

WL84 - 1200, WL84 - 1200 Emergency



WL168 - 1500



WARRIOR Linear Models with 200mm mounting points:

WL84 / WL84 Emergency / WL84 Essential

WARRIOR Linear Models with 350mm mounting points:

WL168 / WL168 Emergency / WL168 Essential / WL84-1200 /
WL84-1200 Emergency / WL168-1500

Part Code Builder

WARRIOR Linear Family

Standard: Example - SPI-WL84-EMX25

Family	Model	Emergency	CCT	Power	Optics	Entry
SPI	WL84	NOT STATED - Non EM	Not Stated - 6500K	Not Stated - 110-254Vac	Not Stated - Standard	Not Stated - M20
	WL168	EMX25 (25% for 3 hours)	4K - 4000K	LV - Low Voltage (Non EM only)	Other optics available - please contact Raytec	M25
	WL84-1200			ELV - Extra Low Voltage (Non EM only)		
	WL168-1500					

Essential: Example - SPI-WL84-LL

Family	Model	CCT	Power	Optics	Entry
SPI	WL84-LL	Not Stated - 6500K	Not Stated - 110-254Vac	Not Stated - Standard	Not Stated - M20
	WL168-LL	4K - 4000K	LV - Low Voltage (WL84 only)	Other optics available - please contact Raytec	M25
			ELV - Extra Low Voltage (WL84 only)		

WARRIOR Linear Specials



Safety Shower Variants

- Green LED technology designed for use where safety shower units are located.
- Dominant wavelength: 519nm
- Dedicated safety shower optic for maximum visibility

Example ordering code: SPX-WL168-G

Other options available, contact Raytec for full ordering information.



Wildlife-Friendly Variants

- Amber LED technology designed to protect wildlife in coastal locations or nature reserves.
- Dominant wavelength: 600nm

Example ordering code: SPX-WL168-4K-A

Other options available, contact Raytec for full ordering information



See WARRIOR Linear Mounting & Accessories Guide for full range of accessories