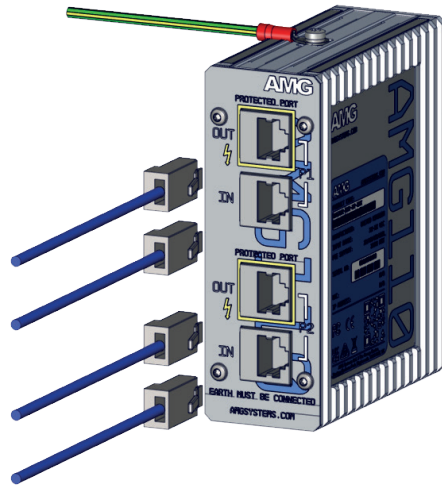


/ INTERFACE CONNECTIONS

The AMG110-2X-SP features two independent surge protection channels in a single unit. These channels are clearly labelled as “P1” and “P2” on the front panel.

- ① Connect the Ethernet devices that you would like to protect to the Protected Ports shown in yellow and labelled as “OUT”.
- ② Connect the long external Ethernet cables that could be susceptible to surge or transients to the ports labelled as “IN”.

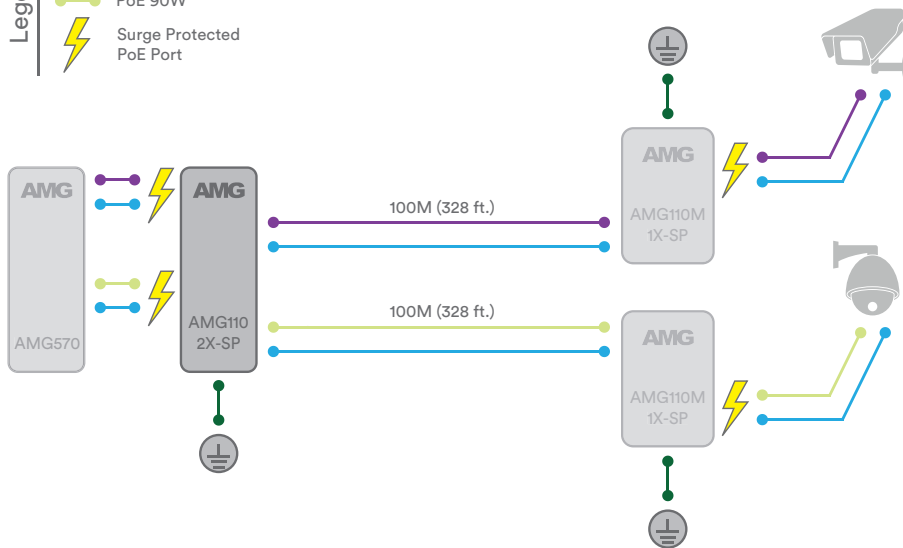


SCAN ME



/ APPLICATION DIAGRAM

- Legend
- CAT5e 1Gb
 - Ground Point
 - PoE 30W
 - PoE 90W
 - Surge Protected PoE Port



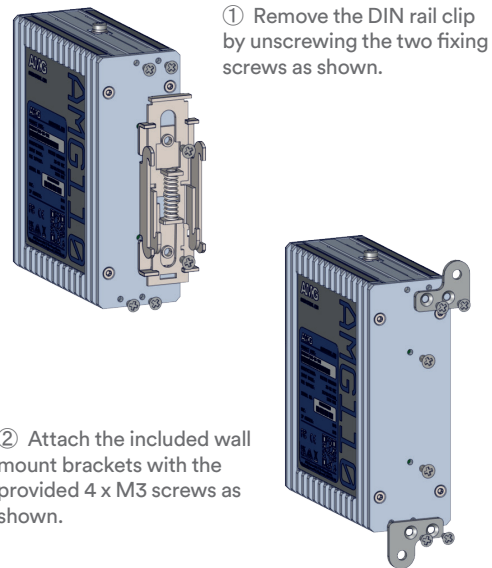
AMG110-2X-SP Industrial Dual Channel PoE Surge Protector

Installation Manual - Hardware

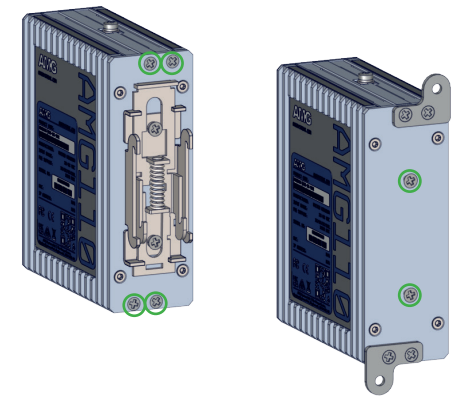
/ DIN RAIL MOUNT INSTALLATION



/ SURFACE MOUNT INSTALLATION

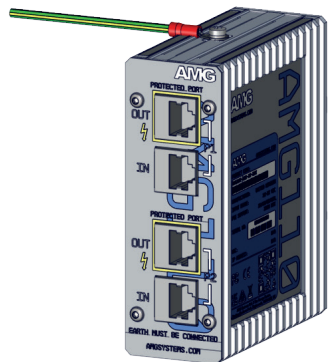


/ IP RATING



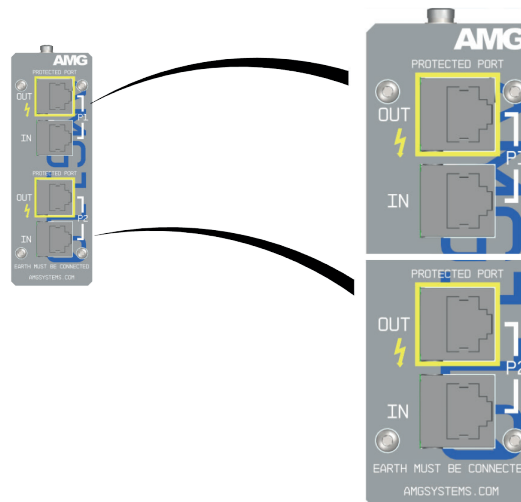
To maintain the units IP40 rating any screw holes that are not used should still have their screws installed as shown in green above.

/ EARTH PROTECTION



To provide correct protection from transients and surge events ensure that the unit is correctly earthed using the provided earth connection point and cable in accordance with local electrical codes & standards. The cable should be kept as short as possible and should be a minimum of 14AWG.

/ ETHERNET PORTS



- ① Connect the Ethernet devices that you would like to protect to the Protected Ports shown in yellow and labelled as "OUT".
- ② Connect the long external Ethernet cables that could be susceptible to surge or transients to the ports labelled as "IN".

Warning
Ensure the surge protector is correctly earthed

Supported Ethernet Speeds	
	10Mbps
	100Mbps
	1Gbps
	2.5Gbps
	5Gbps
	10Gbps

Supported PoE	
	IEEE 802.3af (15.4W)
	IEEE 802.3at (30W)
	IEEE 802.3bt (60/90W)
	Non-Standard PoE 95W