



- High intensity - up to 4.5kW pulse drive power
- Highly flexible and configurable
- Ethernet control
- Long lifetime and low maintenance
- Easy camera integration
- 24V DC as standard
- Integrated pulse controller

PULSESTAR VTR illuminators deliver powerful pulsed lighting from a single housing, for a wide range of transport applications. Examples include traffic and rail monitoring, ANPR/LPR, tolling, and many more.

Using high-power LED technology, VTR illuminators deliver up to 4.5kW of lighting drive power to provide outstanding illumination, and the most powerful solution across the PULSESTAR range. A fully integrated GUI means the power, duration and frequency of the pulse can all be adjusted and tailored to each application. A trigger input means the illuminator can be connected to a camera and synchronised with its shutter to deliver maximum light levels, exactly when needed. Increasing the lifetime and reducing maintenance, is perfect for difficult to reach transport applications.

## Features

## Benefits

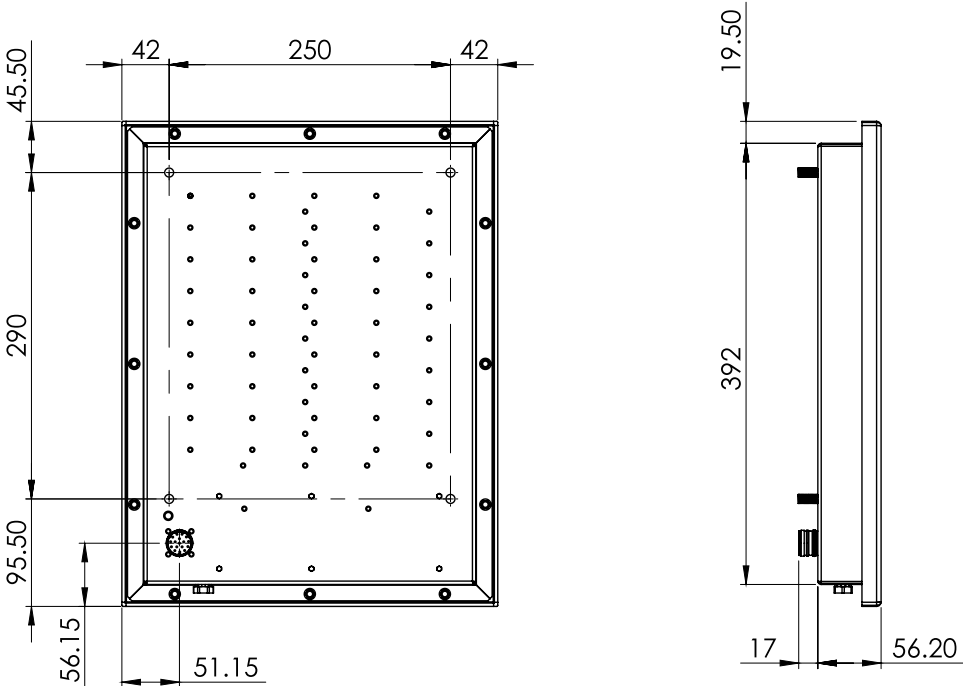
High Intensity Pulsed Illumination	Delivering up to 4.5kW of lighting drive power, VTR illuminators represent the most powerful pulsed lighting solution within the PULSESTAR range. Pulsed illumination ensures the highest levels of light on-scene to illuminate fast moving objects, and provides a significant uplift in performance compared to equivalent non-pulsed illuminators.
Integrated Pulse Controller	PULSESTAR VTR illuminators are packaged in a single housing. The integrated pulse controller allows the timing, height and width of the lighting pulse to be tailored for the exact needs of the application. An ethernet-based communication interface and GUI makes installation, operation and maintenance both safer and easier.
Camera Sync	A trigger input allows the illumination to be pulsed in synchronisation with the camera shutter to deliver maximum light levels precisely when needed. The trigger output from the illuminator can be used to control the timing of the camera, or other illuminators.
Reduced Running Costs	When synced with a cameras shutter, VTR illuminators are only turned on for the duration of its 'pulse'; a fraction of the time when compared to a constant light solution. This means running costs can be significantly reduced.
Longer Life	PULSESTAR VTR illuminators can deliver a significantly longer lifetime when compared to a constant light illuminator. Pulsing an LED illuminator can increase the operational life of the LEDs (lifetime is governed by the average operating temperature of the LED, not the number of times it is switched on and off).
Choice of Wavelengths	The VTR illuminators are available in a range of wavelengths, including 850nm, White-Light, and others on request. A range of beam patterns are also available which allows VTR illuminators to be tailored towards a wide range of applications.

# Technical Specifications

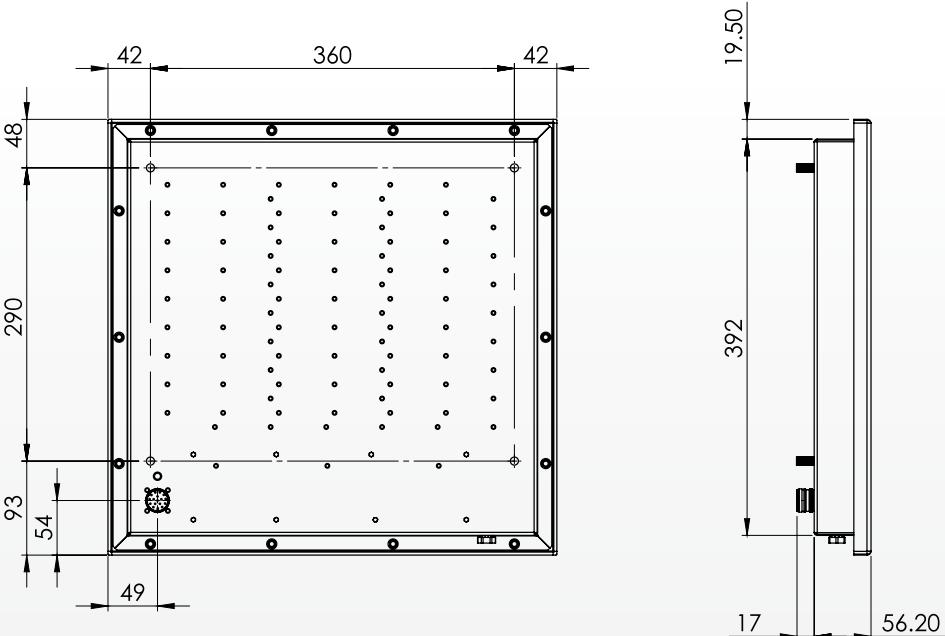
Model	VTR4-850NM	VTR4-WL	VTR6-850NM	VTR6-WL
Lighting Drive Power	3.4kW (Pulsed)	3.3kW (pulsed)	4.5kW (Pulsed)	4.4kW (pulsed)
Consumption (Average)	68W	66W	90W	88W
Number of LEDs	216	216	324	324
Input	24V DC $\pm$ 5%			
LED Type	Platinum Elite twin-core SMT LEDs	Platinum Elite SMT LEDs	Platinum Elite twin-core SMT LEDs	Platinum Elite twin-core SMT LEDs
Illumination Angle	14°, 28° or 50° (other angles available on request)	12°, 28° or 50° (other angles available on request)	14°, 28° or 50° (other angles available on request)	12°, 28° or 50° (other angles available on request)
Beam Shape	Circular			
Maximum Pulse Width (100%)	1ms			
Maximum Trigger Frequency	5kHz			
Maximum Duty Cycle at 100% Intensity	2%	1%	2%	1%
Trigger Input	5V to 24V opto-isolated			
Trigger Output	Synchronised to strobing, (24V,20mA opto-isolated)			
Control / Communication	Ethernet			
Wavelength	850nm (others available on request)	White-Light	850nm (others available on request)	White-Light
IP Rating	IP66			
Temperature Range	-20°C to +50°C (-4°F to +122°F)			
Colour	Black			
Weight	5.4kg (11.9lb)		6.6kg (14.55lb)	
Dimensions	See dimensional sketches			
Front Cover	Clear Polycarbonate			
Warranty	1 Year			
Installation Instructions	Please see document 1170-D-00007 at Rayteclcd.com			
Country of Manufacture	United Kingdom			
Accessories	VTR4 mounting bracket Detachable cable		VTR6 mounting bracket Detachable cable	

# Product Dimensions

## VTR4



## VTR6



## Product Codes

Part Codes	Description
VTR4-850-14-ETH-NC	PULSESTAR VTR4 Pulsed 850nm, 14° beam, 24V DC
VTR4-850-28-ETH-NC	PULSESTAR VTR4 Pulsed 850nm, 28° beam, 24V DC
VTR4-850-50-ETH-NC	PULSESTAR VTR4 Pulsed 850nm, 50° beam, 24V DC
VTR4-WL-12-ETH-NC	PULSESTAR VTR4 WL, 12° beam, 24V DC
VTR4-WL-28-ETH-NC	PULSESTAR VTR4 WL, 28° beam, 24V DC
VTR4-WL-50-ETH-NC	PULSESTAR VTR4 WL, 50° beam, 24V DC
VTR6-850-14-ETH-NC	PULSESTAR VTR6 Pulsed 850nm, 14° beam, 24V DC
VTR6-850-28-ETH-NC	PULSESTAR VTR6 Pulsed 850nm, 28° beam, 24V DC
VTR6-850-50-ETH-NC	PULSESTAR VTR6 Pulsed 850nm, 50° beam, 24V DC
VTR6-WL-12-ETH-NC	PULSESTAR VTR6 WL, 12° beam, 24V DC
VTR6-WL-28-ETH-NC	PULSESTAR VTR6 WL, 28° beam, 24V DC
VTR6-WL-50-ETH-NC	PULSESTAR VTR6 WL, 50° beam, 24V DC