

WARRIOR LED SPI Heavy Industrial Mid Power Floodlight



Power / Performance

High lumen output up to 25,000 lumens, designed to directly replace traditional discharge light sources up to 250W SON.



Robust and Durable

Robust and durable construction from marine grade aluminium and with a wide operating temperature for even the most challenging conditions.



Intelligent Emergency

Self-testing emergency battery providing up to 3 hours emergency back-up.



Multiple Beam Angles

Available with a range of beam patterns to effectively light up large open areas such as service yards. The use of secondary optics means no loss of output on wider angles.

5 YEAR WARRANTY

All Raytec luminaires are provided with an industry leading 5 year warranty and have an expected useful life in excess of 10 years. See Warranty Statement for details.



Technical Specifications

| Electrical | 5K | 7.5K | 10K | 12.5K | 15K | 20K |
|---------------|--|------|-----|-------|------|------|
| Input | 150-264V 50/60Hz AC/DC 110V variant available - please contact Raytec | | | | | |
| Power | 50W | 60W | 80W | 100W | 120W | 150W |
| Termination | Incoming terminal block suitable for looping 4 core 4mm ² cable | | | | | |
| Power Factor | >0.95 | | | | | |
| Cable Entries | 2xM20 as standard (other entries available upon request), dispatched complete with one blanking plug | | | | | |

| Optical | 5K | 7.5K | 10K | 12.5K | 15K | 20K |
|--------------------|---------------------------------------|------|-----|-------|-----|-----|
| Beam Patterns | See light distribution graphs below | | | | | |
| Lumen Output | See Lumen Output by Optic Table below | | | | | |
| LED Type | Platinum Elite SMT LEDs | | | | | |
| Number of LEDs | 192 | | | | | |
| CRI | 80+ | | | | | |
| Colour Temperature | 6,500K | | | | | |

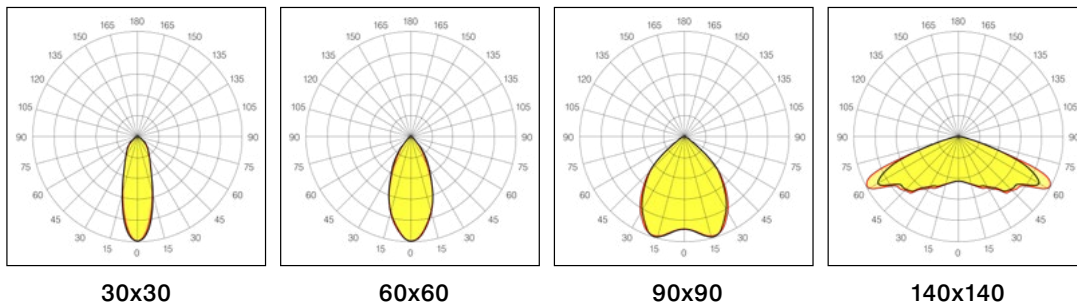
| Mechanical | 5K | 7.5K | 10K | 12.5K | 15K | 20K |
|---------------------------|---|------|-----|-------|-----|-----|
| Burning Position | Universal | | | | | |
| IP Rating | IP66 & IP67 | | | | | |
| Temperature Range | -40°C to +60°C (-40°F to +140°F) -20°C to +50°C for emergency variants (-4°F to +122°F) | | | | | |
| Weight | 13.2kg (29.1lbs) 16kg (35.2lbs) for emergency variant | | | | | |
| Enclosure | Marine grade aluminium epoxy powder coated, toughened glass, all external fasteners and brackets are marine grade stainless steel | | | | | |
| Unit Colour | Silver (RAL 9006) | | | | | |
| Installation Instructions | Please see document 1250-D-00006 at www.rayteclcd.com | | | | | |
| Spare Part Availability | For information on spare part availability please contact Raytec. | | | | | |
| Battery Care | Please see document number 0010-D-00001 at rayteclcd.com | | | | | |
| Dimensions | See dimension sketches | | | | | |
| Mounting | Stirrup bracket (see dimension sketches) | | | | | |

Technical Specifications - Emergency

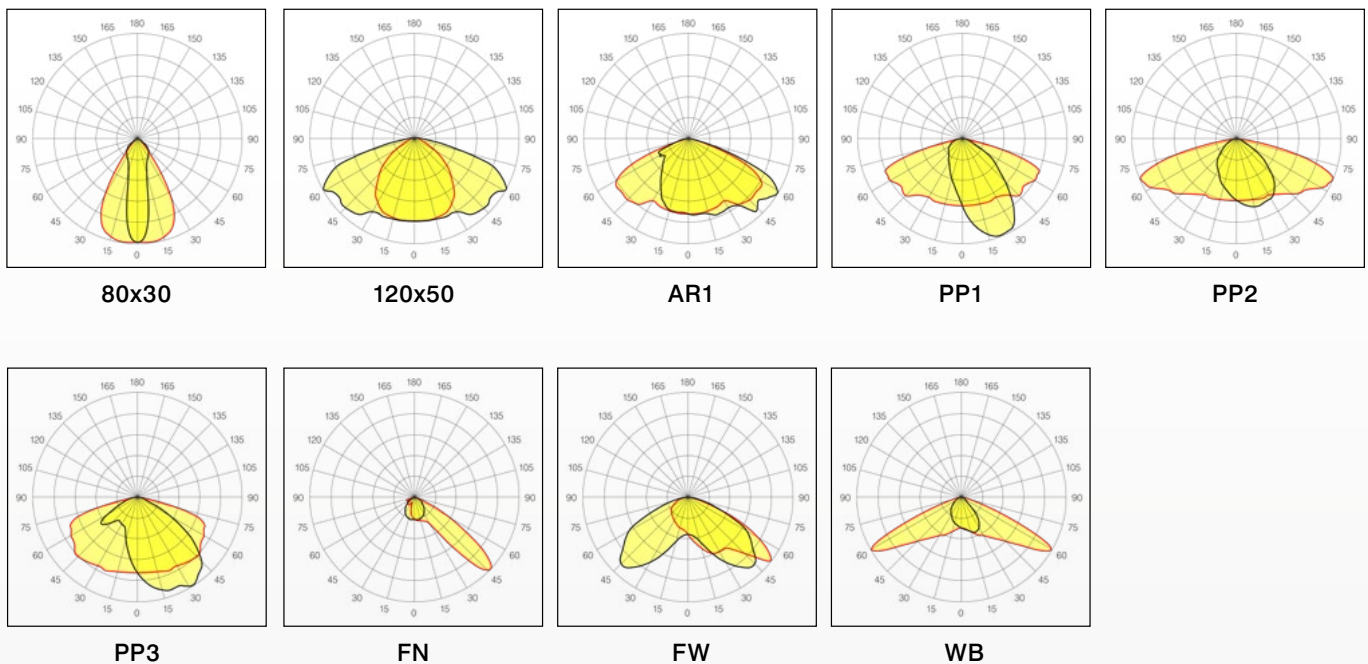
Intelligent Emergency

| | |
|-------------------------|--|
| Function | Self testing Intelligent Emergency |
| System Health Indicator | Bi Colour Indicator LED |
| Emergency Duration | 180 mins |
| Emergency Output (upto) | See Lumen Output by Beam Pattern table below |
| Emergency Battery | NiMH 6V 4.0Ah |
| Emergency Charge Time | 20 Hours |

Symmetrical Beam Patterns



Asymmetrical Beam Patterns



Lumen Output by Beam Pattern

Lumen Output on Mains

| Variant | 30x30 | 60x60 | 90x90 | 120x50 | 140x140 | AR1 | PP1 | PP2 | PP3 | 80x30 | FN* | FW* | WB |
|-----------|---------|---------|---------|---------|----------|---------|---------|---------|---------|---------|---------|---------|---------|
| MPFL 5K | 7608lm | 8329lm | 8225lm | 7178lm | 7309lm | 7108lm | 7613lm | 7360lm | 7353lm | 7998lm | 7842lm | 6329lm | 7563lm |
| MPFL 7K5 | 9134lm | 9999lm | 9874lm | 8618lm | 8775lm | 8534lm | 9140lm | 8836lm | 8827lm | 9602lm | 9414lm | 7598lm | 9079lm |
| MPFL 10K | 12166lm | 13319lm | 13152lm | 11479lm | 11688lm | 11367lm | 12174lm | 11770lm | 11758lm | 12790lm | 12540lm | 10121lm | 12094lm |
| MPFL 12K5 | 15208lm | 16649lm | 16440lm | 14349lm | 14610lm | 14209lm | 15218lm | 14712lm | 12698lm | 15987lm | 15675lm | 12651lm | 15117lm |
| MPFL 15K | 18268lm | 19999lm | 19748lm | 17236lm | 17550lm | 17068lm | 18280lm | 17672lm | 17655lm | 19204lm | 18829lm | 15196lm | 18159lm |
| MPFL 20K | 21015lm | 24998lm | 24685lm | 21545lm | 219375lm | 21335lm | 22850lm | 22090lm | 22068lm | 24005lm | N/A | N/A | 23536lm |

Lumen Output on Emergency

| Variant | 30x30 | 60x60 | 90x90 | 120x50 | 140x140 | AR1 | PP1 | PP2 | PP3 | 80x30 | FN* | FW* | WB |
|---------------------------|--------|--------|--------|--------|---------|-------|-------|-------|-------|--------|--------|-------|--------|
| EMX180 (180mins duration) | 1008lm | 1104lm | 1090lm | 951lm | 969lm | 942lm | 1,009 | 975lm | 974lm | 1060lm | 1039lm | 839lm | 1002lm |

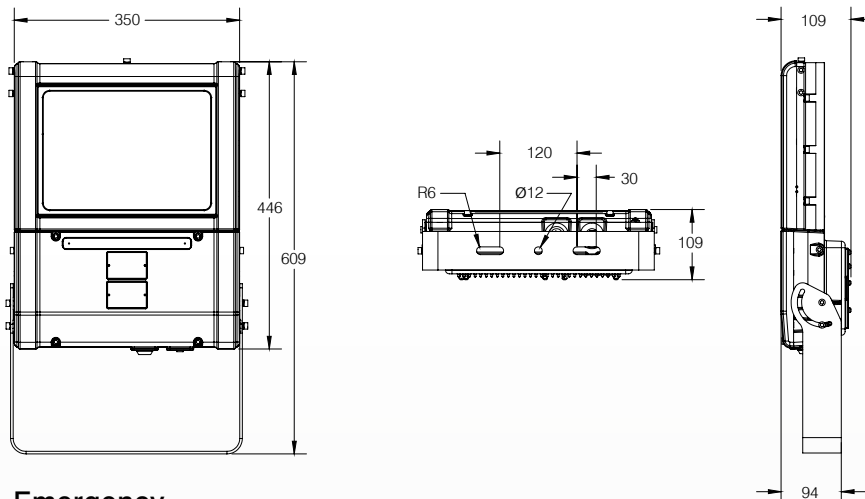
*FN and FW optic variants use 24 or 48 LED light engines.

For more information on Mid Power Lumen Outputs please contact Raytec.

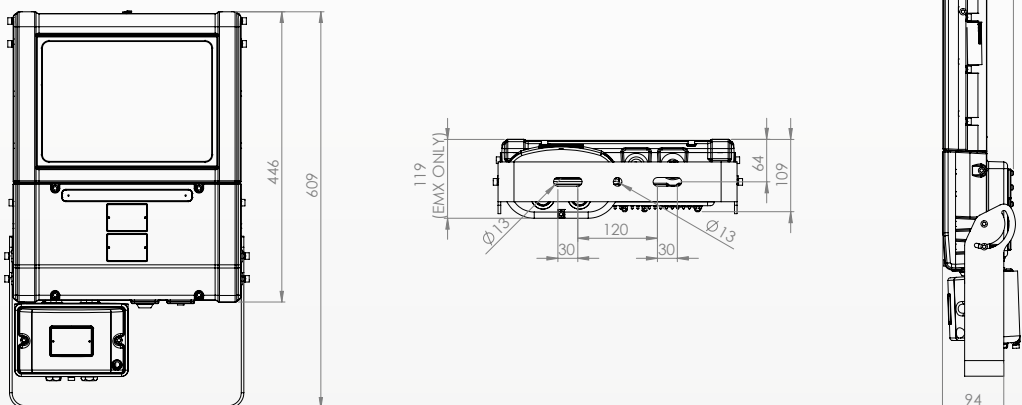
Other beam patterns also available. Please contact Raytec for more information

Beam Patterns

MPFL - Standard



MPFL - Emergency



Part Code Builder

WARRIOR Mid Power Flood

Example - SPI-MPFL15K-W-9090-EMX180

| Family | Model | Light Type | Optics | Emergency | CCT | Power | Entry |
|--------|----------|----------------|--------|---------------------------------|--------------------|-------------------------|------------------|
| SPI | MPFL5K | W- White Light | 3030 | EMX180 (180 minute duration) | Not Stated - 6500K | Not Stated - 150-264Vac | Not Stated - M20 |
| | MPFL7K5 | | 6060 | | 4K - 4000K | 110 - 110V-277Vac | M25 |
| | MPFL10K | | 9090 | | | | |
| | MPFL12K5 | | 12050 | | | | |
| | MPFL15K | | 140140 | | | | |
| | MPFL20K | | AR1 | | | | |
| | | | PP1 | | | | |
| | | | PP2 | | | | |
| | | | PP3 | | | | |
| | | | 8030 | | | | |
| | | | FN | | | | |
| | | | FW | | | | |
| | | | WB | | | | |

Disclaimer

The information provided in this document was accurate at the time of its creation. However, due to the evolving nature of our products and continuous improvements, there may be changes or updates that occur after its publication.

For the most current and detailed information about our products, please contact our sales team at sales@rayteclcd.com.