

WARRIOR LED Heavy Industrial SPI Recess Luminaire - Plank



Modular Design

Featuring a unique modular design, product is available in a variety of standard and bespoke options to suit any application or installation method.



Easy to Install and Maintain

Designed to be light weight with access from below and above the ceiling for ease of installation and maintenance.



Controllable

DALI 2.0 Dimmable as standard on non emergency variants for precise and flexible control of lighting assets.



Intelligent Emergency

Self-testing emergency battery providing up to 3 hours emergency back-up.

5 YEAR WARRANTY

All Raytec luminaires are provided with an industry leading 5 year warranty and have an expected useful life in excess of 10 years. See Warranty Statement for details.



Technical Specifications

| Electrical | 275X800 | 275X800 EMX | 275X1400 | 275X1400 EMX |
|-------------------|---|-------------|----------|--------------|
| Input | 110-277VAC 50/60Hz | | | |
| Power | 23W | 32W | 23W | 32W |
| High Output Power | N/A | N/A | 46W | N/A |
| Termination | Incoming terminal block suitable for looping 4 core 4mm ² (6mm ² available - POA) | | | |
| Power Factor | >0.95 | | | |
| Cable Entries | 2xM20 cable entries, loop in/loop out as standard (other entries available upon request). (Dispatched complete with one blanking plug) | | | |
| DALI | All non-emergency 110-277V variants are DALI 2.0 enabled as standard. Terminals provided for loop in/loop out 2 core central cable | | | |

| Optical | 275X800 | 275X800 EMX | 275X1400 | 275X1400 EMX |
|------------------------------|--|-------------|----------------------------------|--------------|
| Beam Pattern | 120° x 120° as standard See later pages for options | | | |
| Lumen Output on Mains (upto) | 3700lm | 3700lm | 3700lm (High Output - 7400lm) | 3700lm |
| LED Type | Platinum Elite SMT LEDs | | | |
| Number of LEDS | 80 | | 160 | |
| CRI | 80+ | | | |
| Colour Temp | 6500K Other options available, please contact Raytec for more information | | | |

Technical Specifications

| Mechanical & Control | 275X800 | 275X800 EMX | 275X1400 | 275X1400 EMX |
|---------------------------|--|-------------|----------|--------------|
| Burning Position | Universal - Ceiling, wall or floor mount | | | |
| IK Rating | IK10 | | | |
| Weight | 5kg | 5.8kg | 7kg | 7.8kg |
| Housing and Geartray | Epoxy Powder Coated Aluminium (Stainless steel options available - POA) | | | |
| Unit Colour | Fine Texture White RAL 9016 (other colours available - POA) | | | |
| Installation Instructions | Please see document 1285-D-00008 at www.rayteclcd.com | | | |
| Battery Care | Please see document 0010-D-00001 at www.rayteclcd.com | | | |
| Dimensions | Please see dimension sketches | | | |
| Mounting | Pull-up and Surface Mount Accessory Kits available 300mm Marine type plank ceiling systems as standard See Recess Accessories guide for more information | | | |

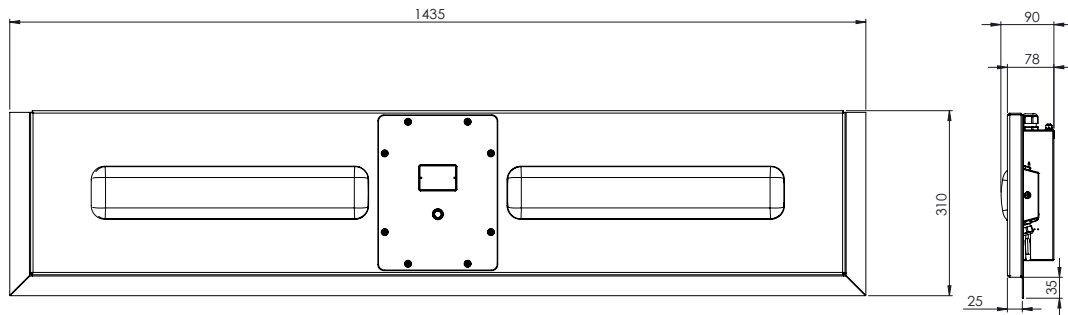
| Environmental | 275X800 | 275X800 EMX | 275X1400 | 275X1400 EMX |
|-----------------------|---|--|--|--|
| Temperature Range | -40° to +60°C (+50°C with insulation) -40°F to +140°F (122°F with insulation) | -20° to +50°C (+40°C with insulation) -4°F to +122°F (+104°F with insulation) | -40° to +60°C (+50°C with insulation) -40°F to +140°F (122°F with insulation) | -20° to +50°C (+40°C with insulation) -4°F to +122°F (+104°F with insulation) |
| Insulation - optional | Rockwool or equivalent - maximum thickness 100mm at at density of 110Kg/m3 See Temperature Range and Certification Section | | | |
| IP Rating | IP65 | | | |

| Intelligent Emergency | 275X800 EMX | 275X1400 EMX |
|-------------------------|---|--------------|
| Function | Self-testing intelligent emergency | |
| System Health Indicator | Tri-colour LED indicator | |
| Emergency Duration | Up to 3hrs @ 25% power Other options available | |
| Emergency Battery | Ni/Cd | |
| Emergency Charge Time | 20 hours | |

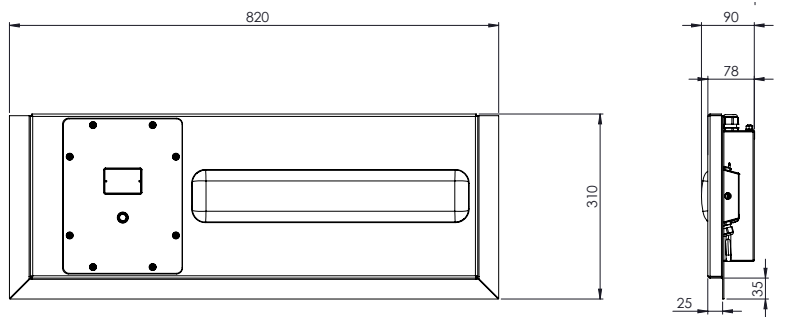
Product Dimensions

Product dimensions can be modified to suit particular ceiling types or to assist in retrofitting existing installations - please contact Raytec for further information and assistance

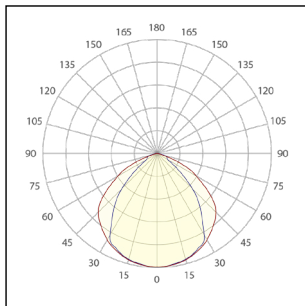
275x1400



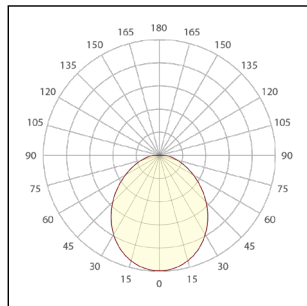
275x800



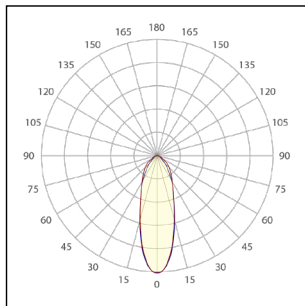
Beam Patterns



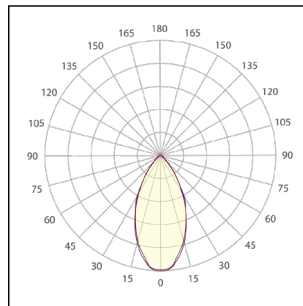
STD



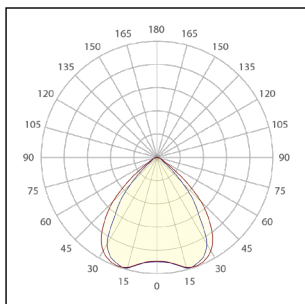
Diffused



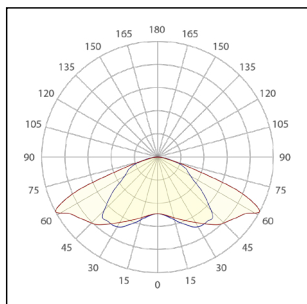
30x30



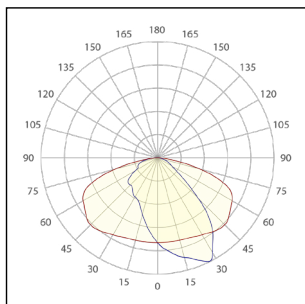
60x60



90x90



WB



PP3

Part Code Builder

WARRIOR Recess Family

Standard: Example - SPI-RCP314-EMX25-4K-D

| Family | Model | Emergency | CCT | Voltage | Optics | Entry |
|--------|-------------------|---------------------------|--------------------|--------------------------|---|------------------|
| SPI | RCP314 - 275x1400 | Not Stated - Non EM | Not Stated - 6500K | Not Stated - 110 - 277V | Not Stated - 120x120 | Not Stated - M20 |
| | RCP308 - 275x800 | EMX25 - (25% for 3 hours) | 4K - 4000K | LV - 18-48V DC/18-69V DC | 6060 - 60x60 | M25 |
| | | | | | 9090 - 90x90 | |
| | | | | | 3030 - 30x30 | |
| | | | | | WB - Wide Beam | |
| | | | | | PP3 - Perimeter and Pathway | |
| | | | | | D - Diffused (only available with 120x120 optics) | |

Standard: Example - SPI-RCP314-HO-4K-D

| Family | Model | Output | CCT | Voltage | Optics | Entry |
|--------|-------------------|------------------|--------------------|-------------------------|---|------------------|
| SPI | RCP314 - 275x1400 | HO - High Output | Not Stated - 6500K | Not Stated - 110 - 277V | Not Stated - 120x120 | Not Stated - M20 |
| | | | 4K - 4000K | | 6060 - 60x60 | M25 |
| | | | | | 9090 - 90x90 | |
| | | | | | 3030 - 30x30 | |
| | | | | | WB - Wide Beam | |
| | | | | | PP3 - Perimeter and Pathway | |
| | | | | | D - Diffused (only available with 120x120 optics) | |

Accessories

| | |
|----------------|--|
| SPX-BKT-RC-SW4 | Swing out arm pull up kit (set of 4) |
| SPX-BKT-RC-ST4 | Drop down stud mounting kit (set of 4) |

SPARTAN Recess is designed to fit a range of ceiling types. For full details and datasheets on the variants available please contact Raytec for more information

Disclaimer

The information provided in this document was accurate at the time of its creation. However, due to the evolving nature of our products and continuous improvements, there may be changes or updates that occur after its publication. For the most current and detailed information about our products, please contact our sales team at sales@rayteclcd.com.